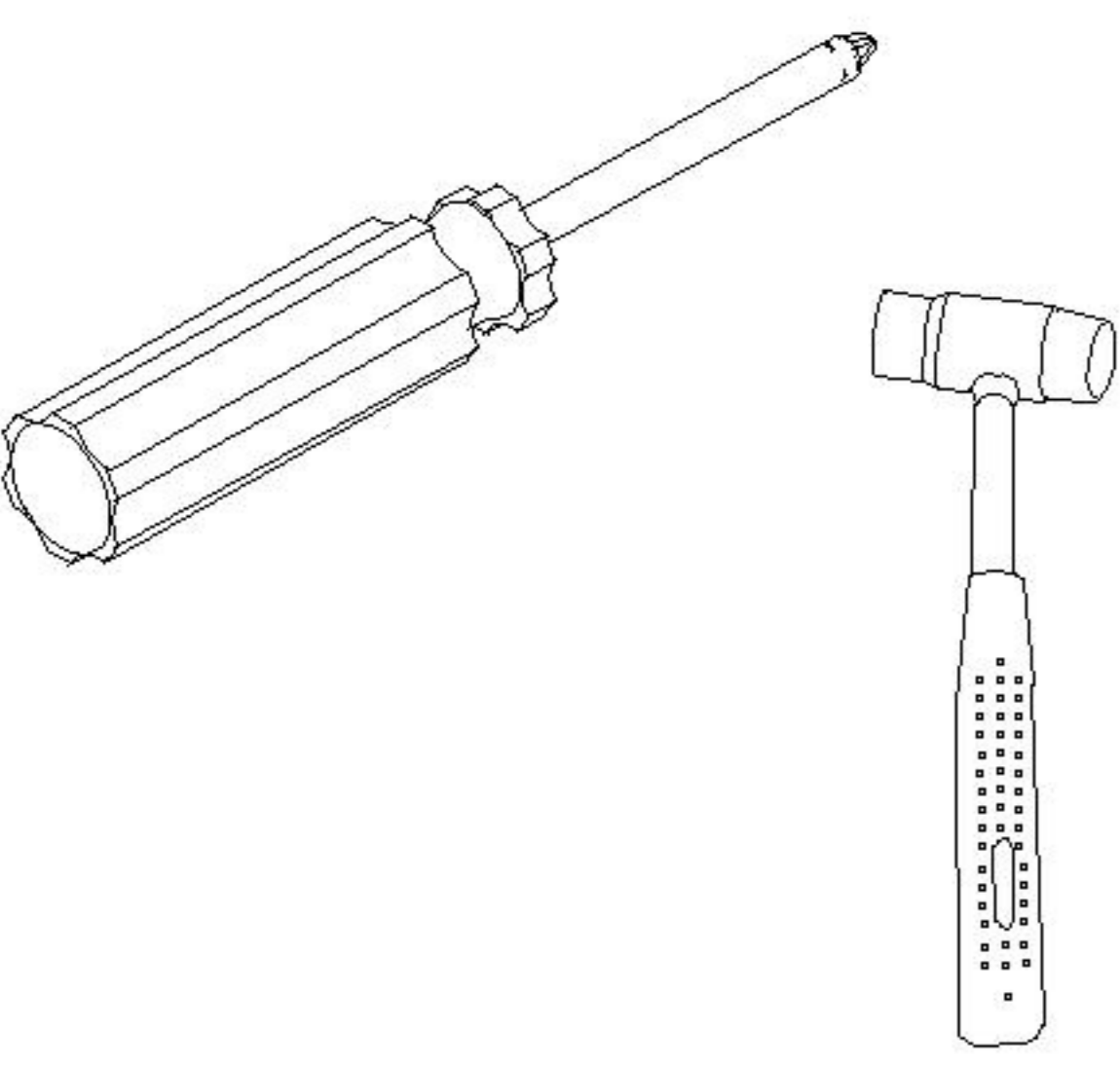
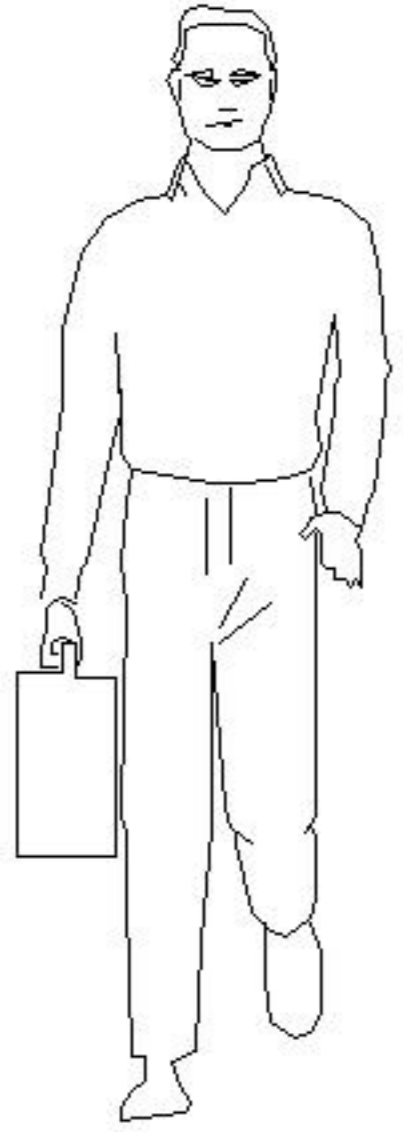


# LINSY 林氏家居

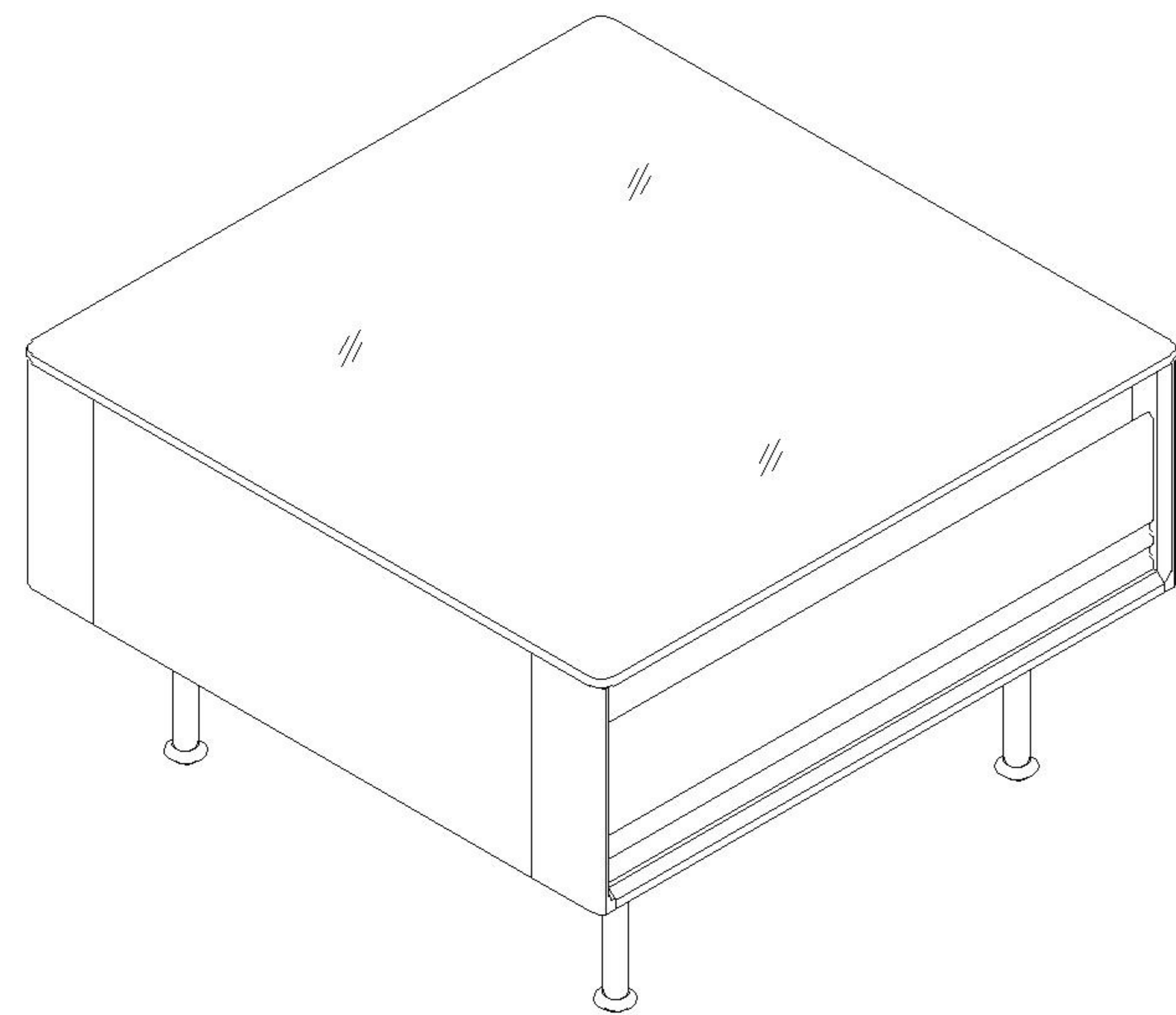
## 五金表/Hardware list

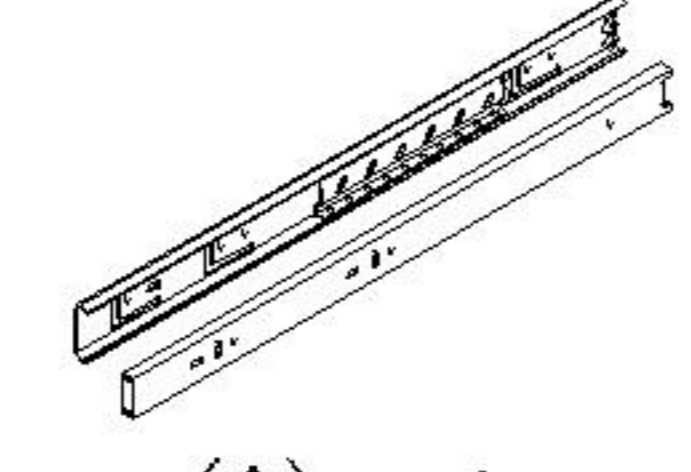
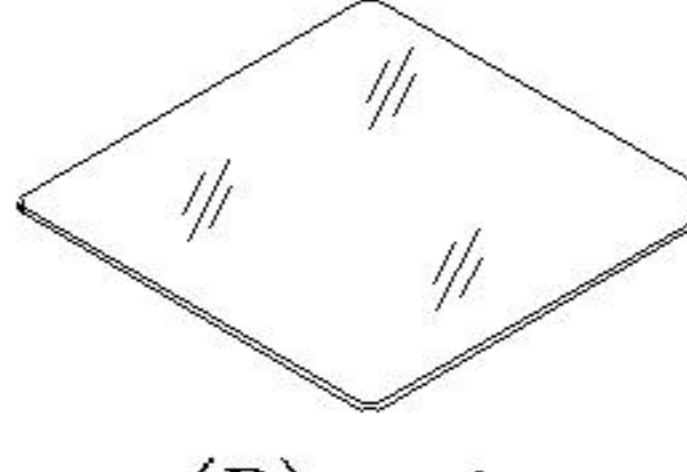
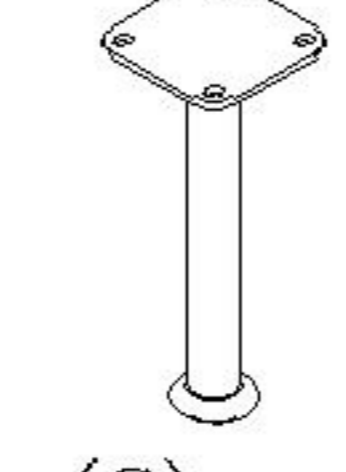
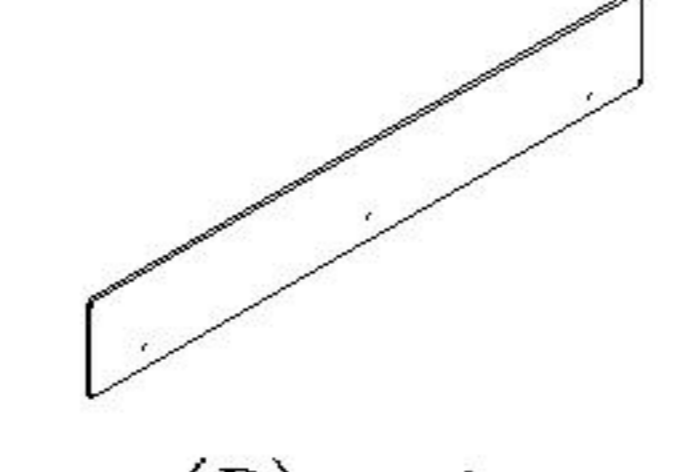
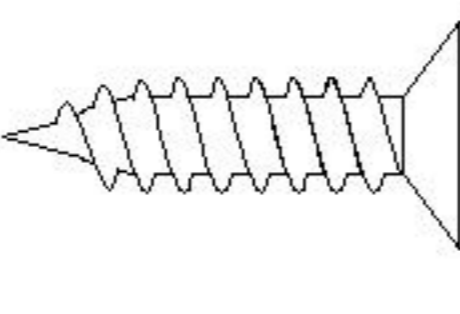

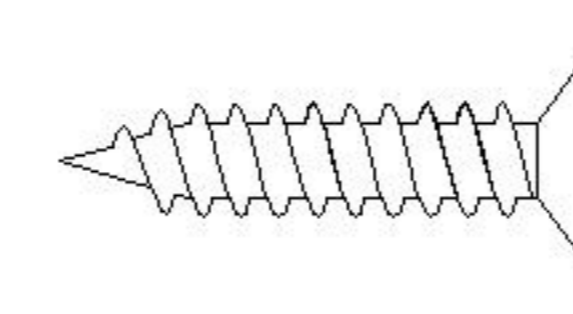
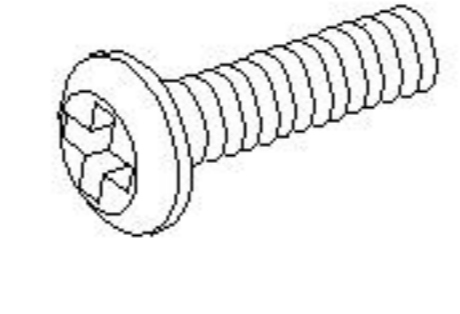
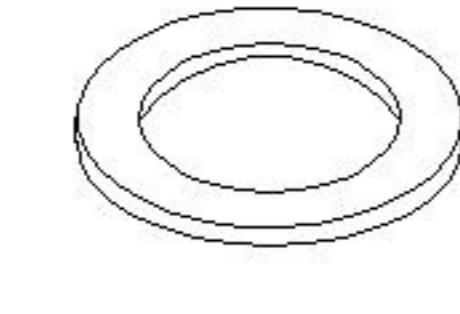
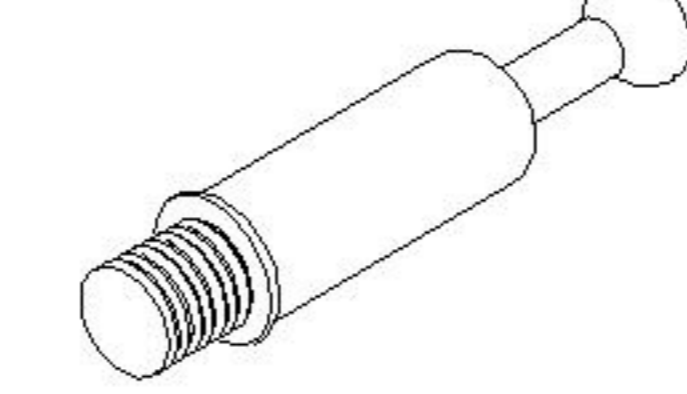
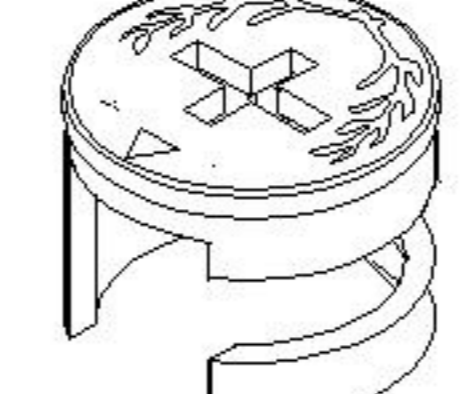
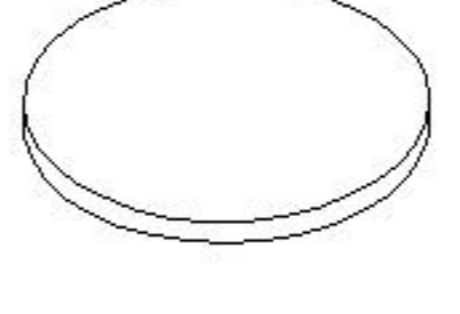
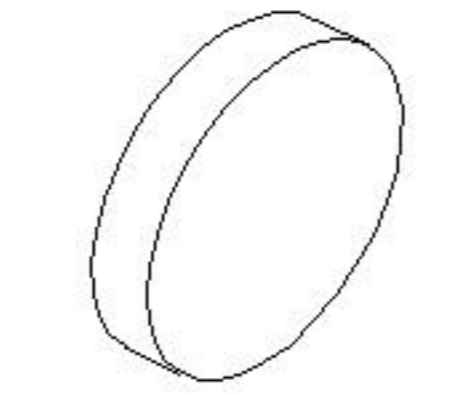
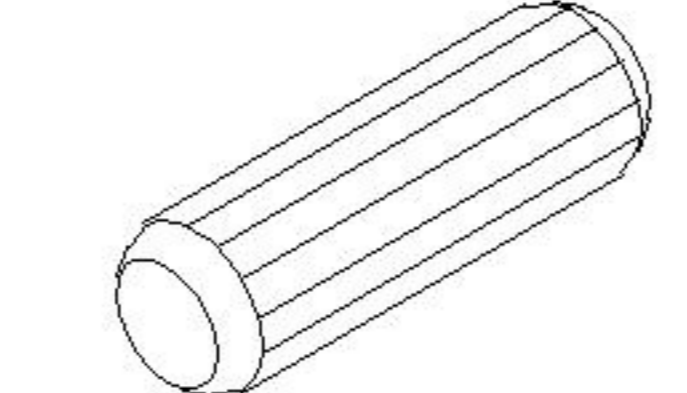
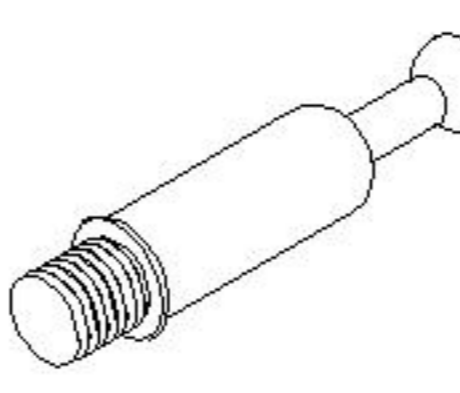
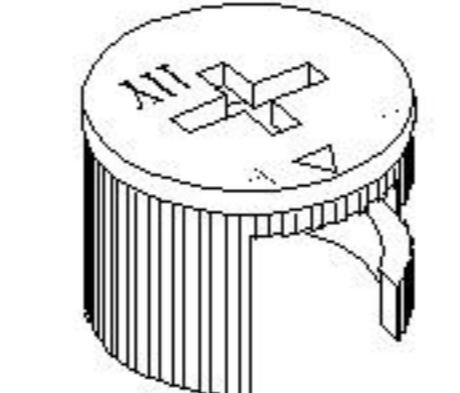
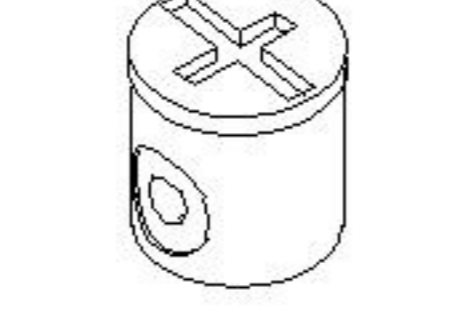
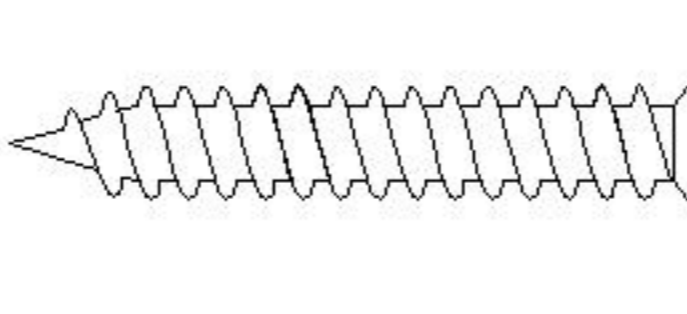
## 部件表/Parts List

### 安装示意图/Assembly Instruction

产品名称 Model NO.	茶几
产品型号 Product Model	UM2L-A
尺寸规格 Specification	(580*580*360)mm
安装工具 Tool	安装人数 Installer
	

注：为保证设计效果，部分尺寸为定制尺寸，不影响使用。

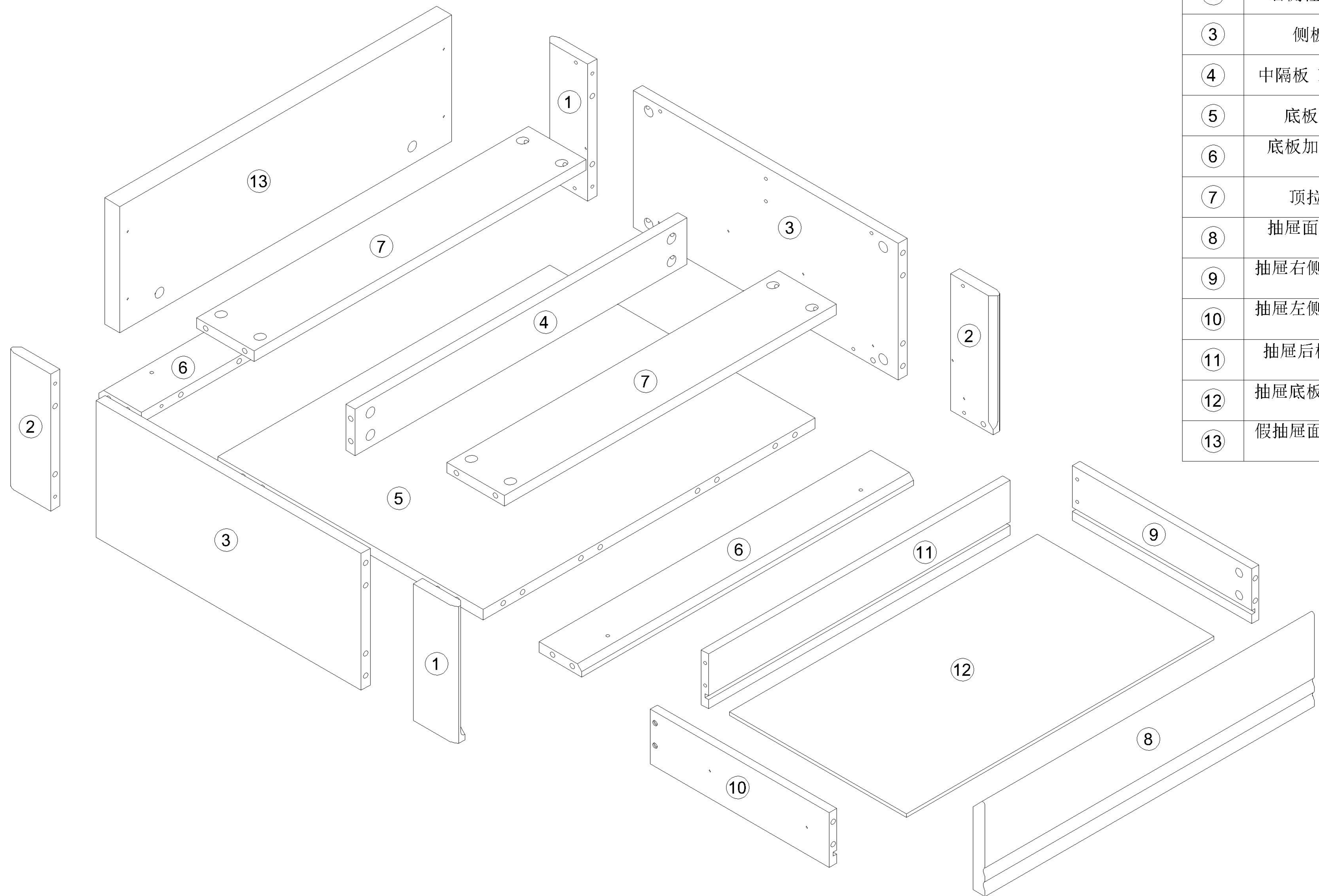


 (A)* 1 三节滚珠导轨-10" three-section ball rail	 (B)* 1 玻璃面板 Glass panel	 (C)* 4 五金脚 hardware feet	 (D)* 1 抽面亚克力 Drawing Acrylic
 (E)* 38 自攻螺丝M3.5x12mm Self-tapping screw	 (F)* 12 L型角码14x21x1.5 L-shaped corner code	 (G)* 3 自攻螺丝M3.5x16mm Self-tapping screw	 (H)* 16 斜边十字螺杆-M6x12 bevel cross screw
 (I)* 3 透明塑料垫片 Plastic gasket	 (J)* 40 二合一螺杆 2-in-1-screw	 (K)* 40 大三合一锁饼 Three-in-one large lock	 (L)* 6 透明圆形玻璃防滑垫 Round rubber pad
 (M)* 3 镜钉 Mirror nail	 (N)* 25 木榫Ø8x30mm wood tenon	 (O)* 4 小二合一杆 small two-in-one rod	 (P)* 4 小三合一锁饼 small three-in-one lock
 (Q)* 4 塑料螺母 Plastic Nut	 (R)* 4 自攻螺丝M4x40mm Self-tapping screw		

编号NO.	名称Name	规格 (mm) Specification	数量 QTY	材质Material
①	左侧柱 Side column(L)	195*70*15	2	橡胶木Rubber wood
②	右侧柱 Side column(R)	195*70*15	2	橡胶木Rubber wood
③	侧板 Side board	436*195*15	2	刨花板Particle board
④	中隔板 Middle clapboard	546*66*15	1	刨花板Particle board
⑤	底板 Bottom board	436*546*15	1	刨花板Particle board
⑥	底板加条 Bottom plate banding	546*70*15	2	橡胶木Rubber wood
⑦	顶拉条 Top brace	546*95*15	2	刨花板Particle board
⑧	抽屉面板 Drawer's top panel	542*133*20	1	橡胶木Rubber wood
⑨	抽屉右侧板 Drawer's side board(R)	295*78*12	1	刨花板Particle board
⑩	抽屉左侧板 Drawer's side board(L)	295*78*12	1	刨花板Particle board
⑪	抽屉后板 Drawer's Back board	496*78*12	1	刨花板Particle board
⑫	抽屉底板 Drawer's Bottom board	506*291*5	1	纤维板Fiberboard
⑬	假抽屉面板 Fake Drawer's top panel	546*180*25	1	刨花板Particle board

►注：趟门和抽屉都是设计所需设计缝，小心夹伤！

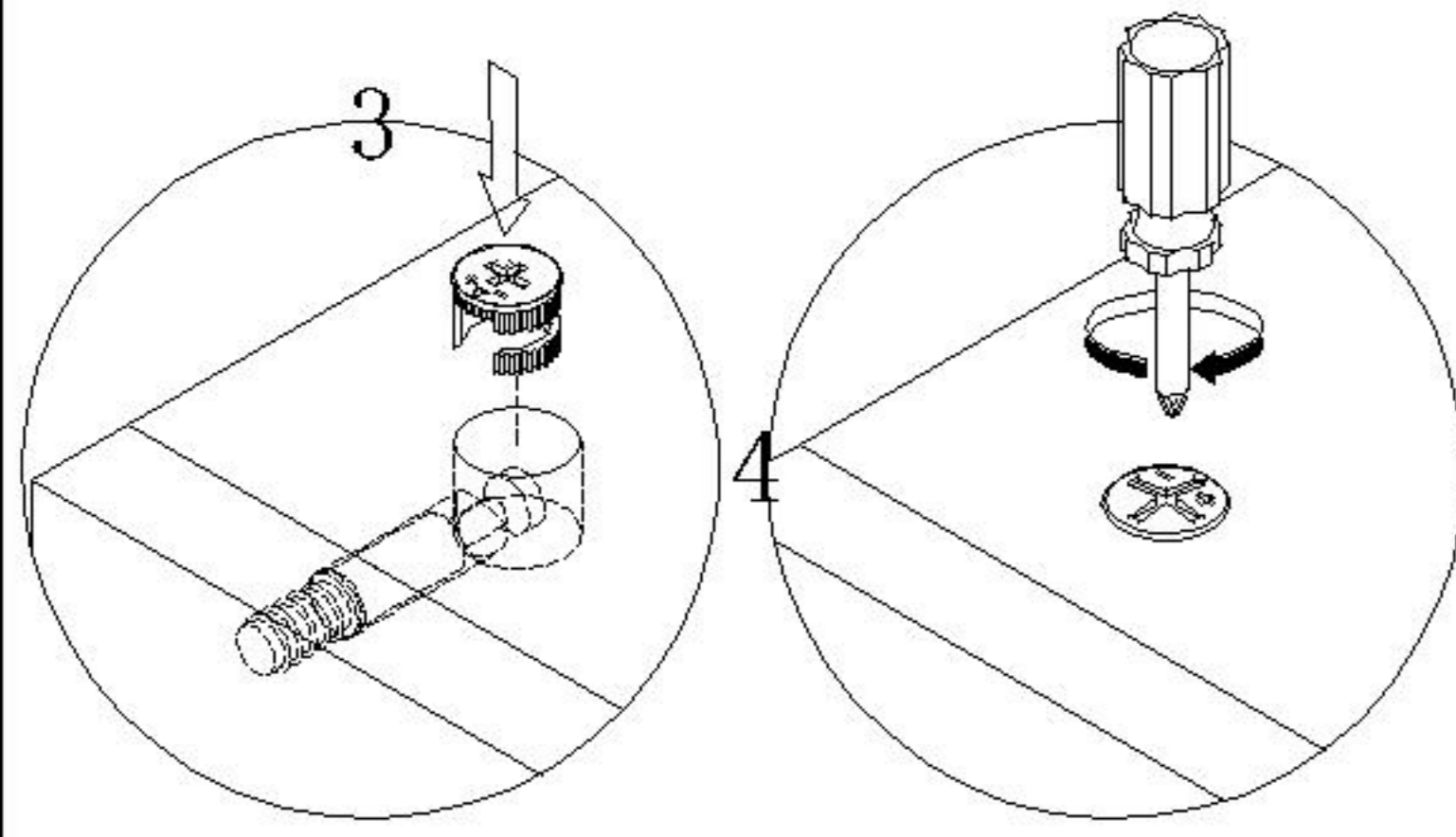
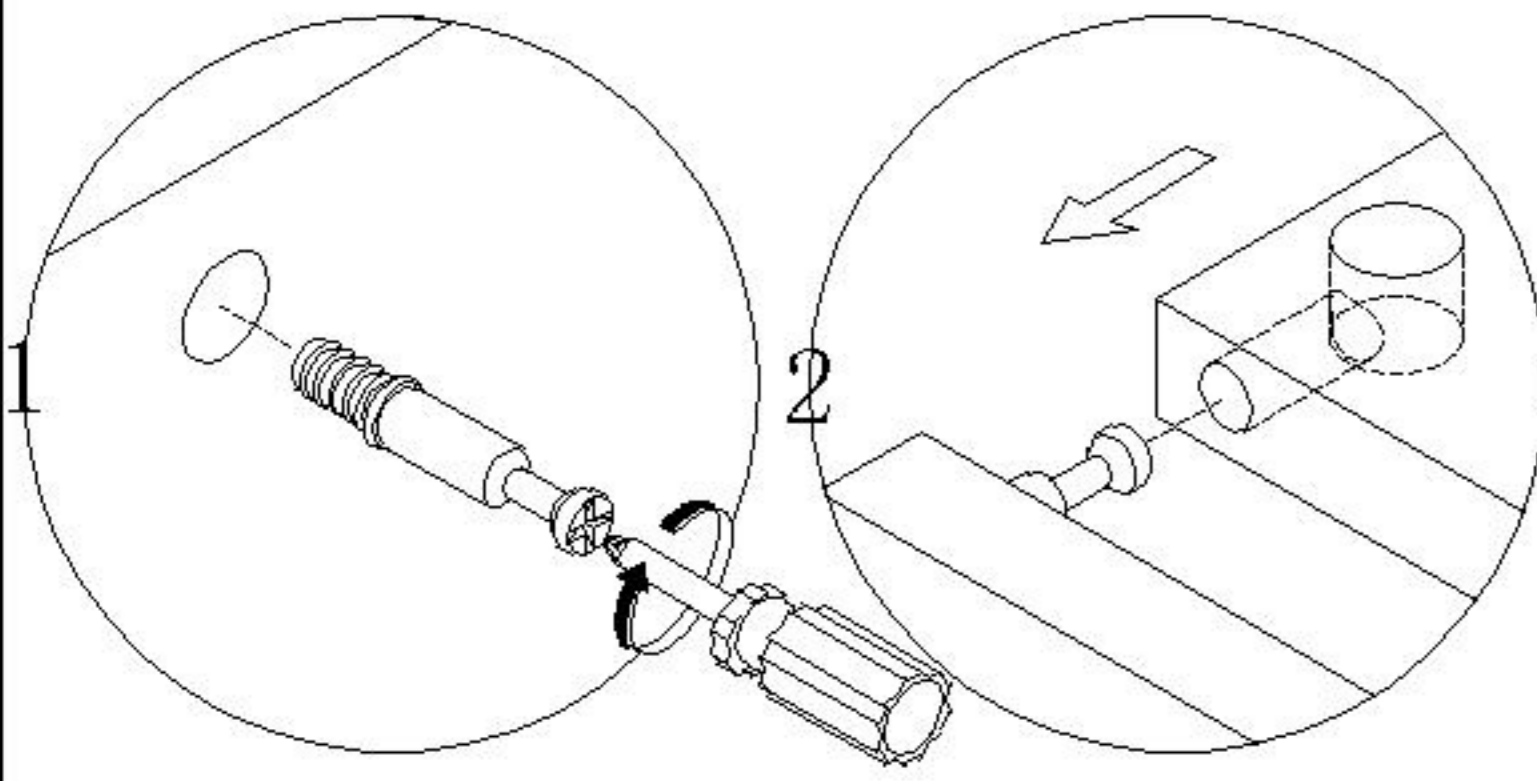
Note: The doors and drawers are designed with necessary seams. Be careful not to pinch!



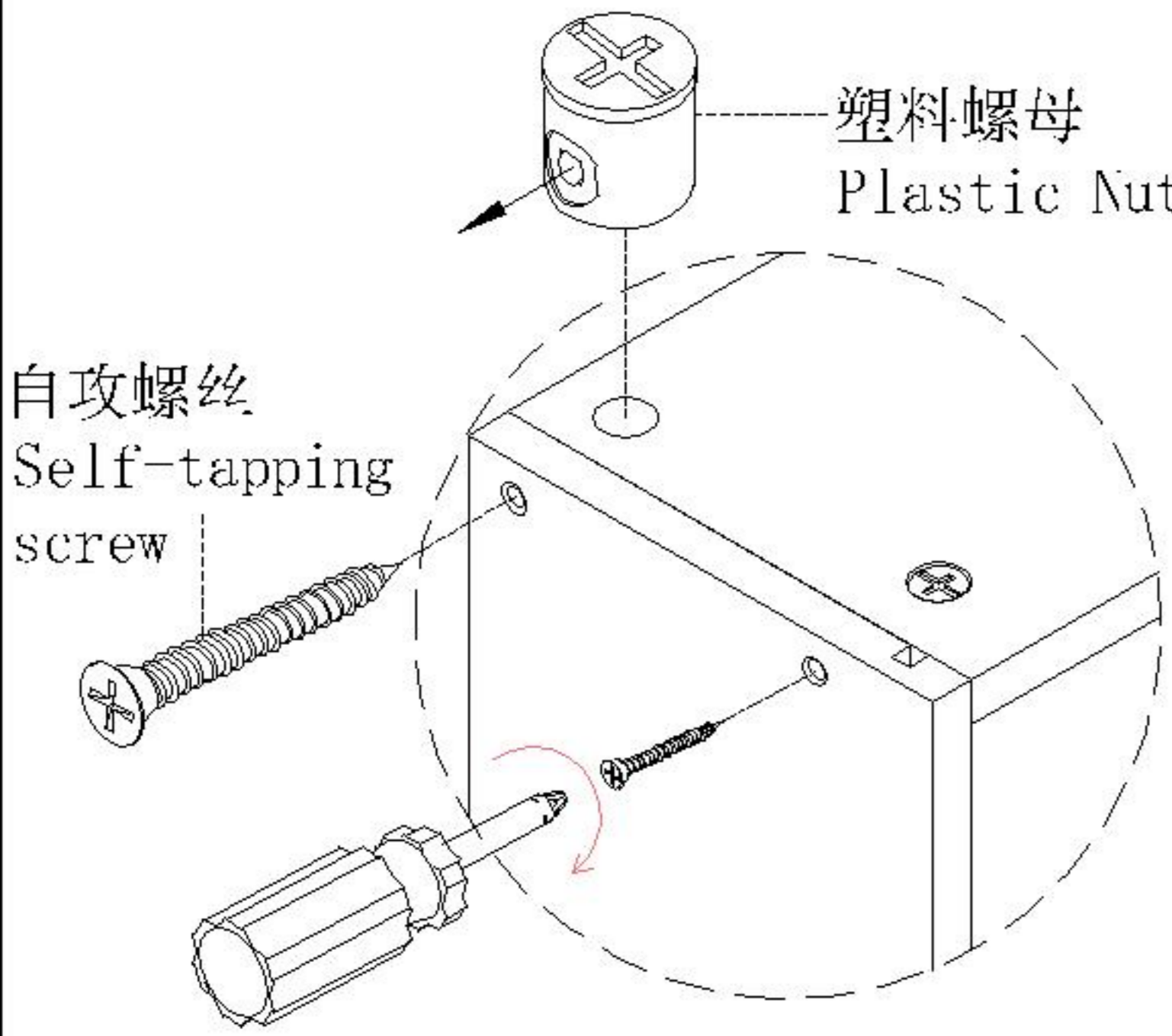
编号NO.	名称Name
①	左侧柱 Side column(L)
②	右侧柱 Side column(R)
③	侧板 Side board
④	中隔板 Middle clapboard
⑤	底板 Bottom board
⑥	底板加条 Bottom plate banding
⑦	顶拉条 Top brace
⑧	抽屉面板 Drawer's top panel
⑨	抽屉右侧板 Drawer's side board (R)
⑩	抽屉左侧板 Drawer's side board (L)
⑪	抽屉后板 Drawer's Back board
⑫	抽屉底板 Drawer's Bottom board
⑬	假抽屉面板 Fake Drawer's top panel

UM2L-A

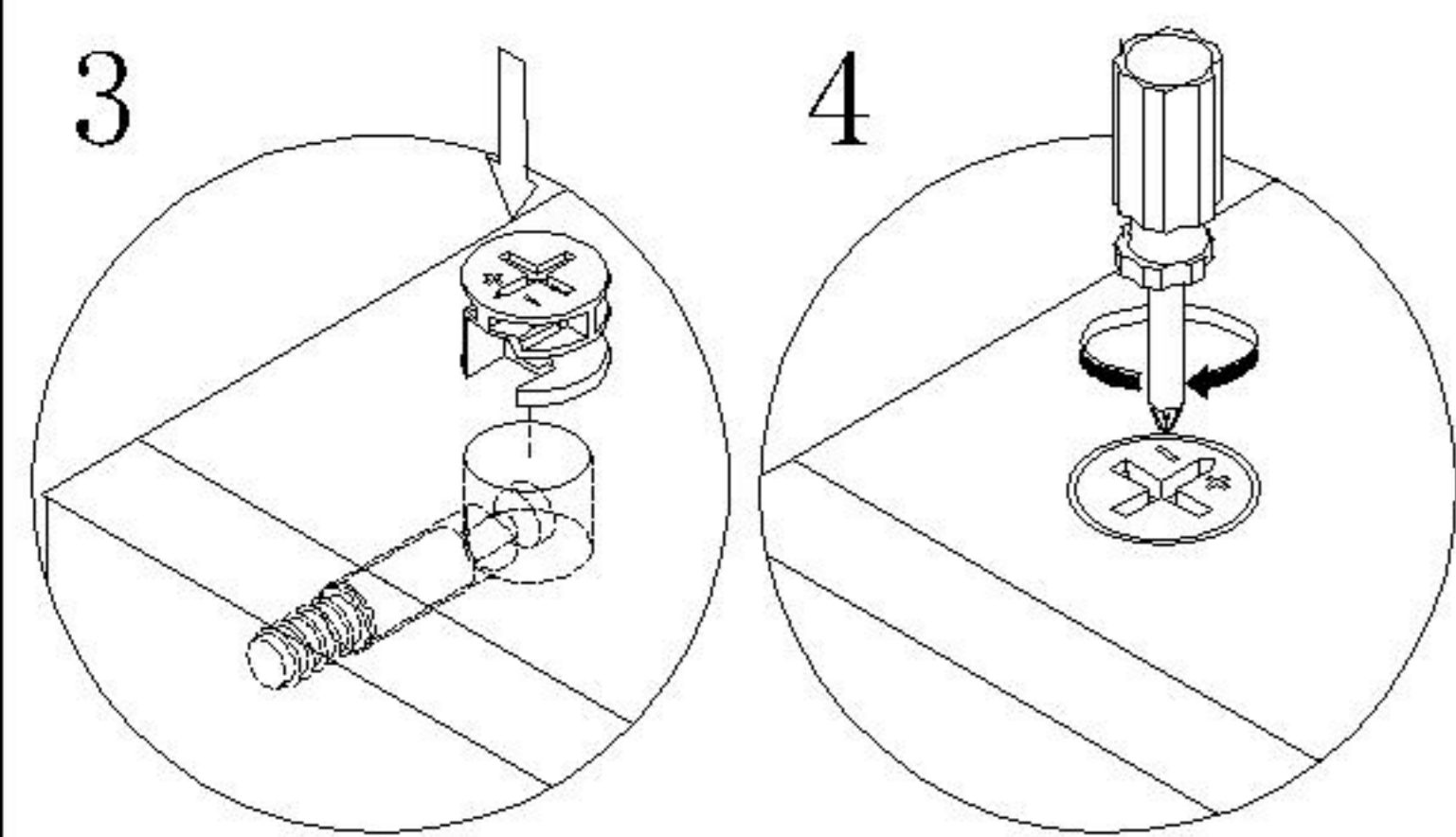
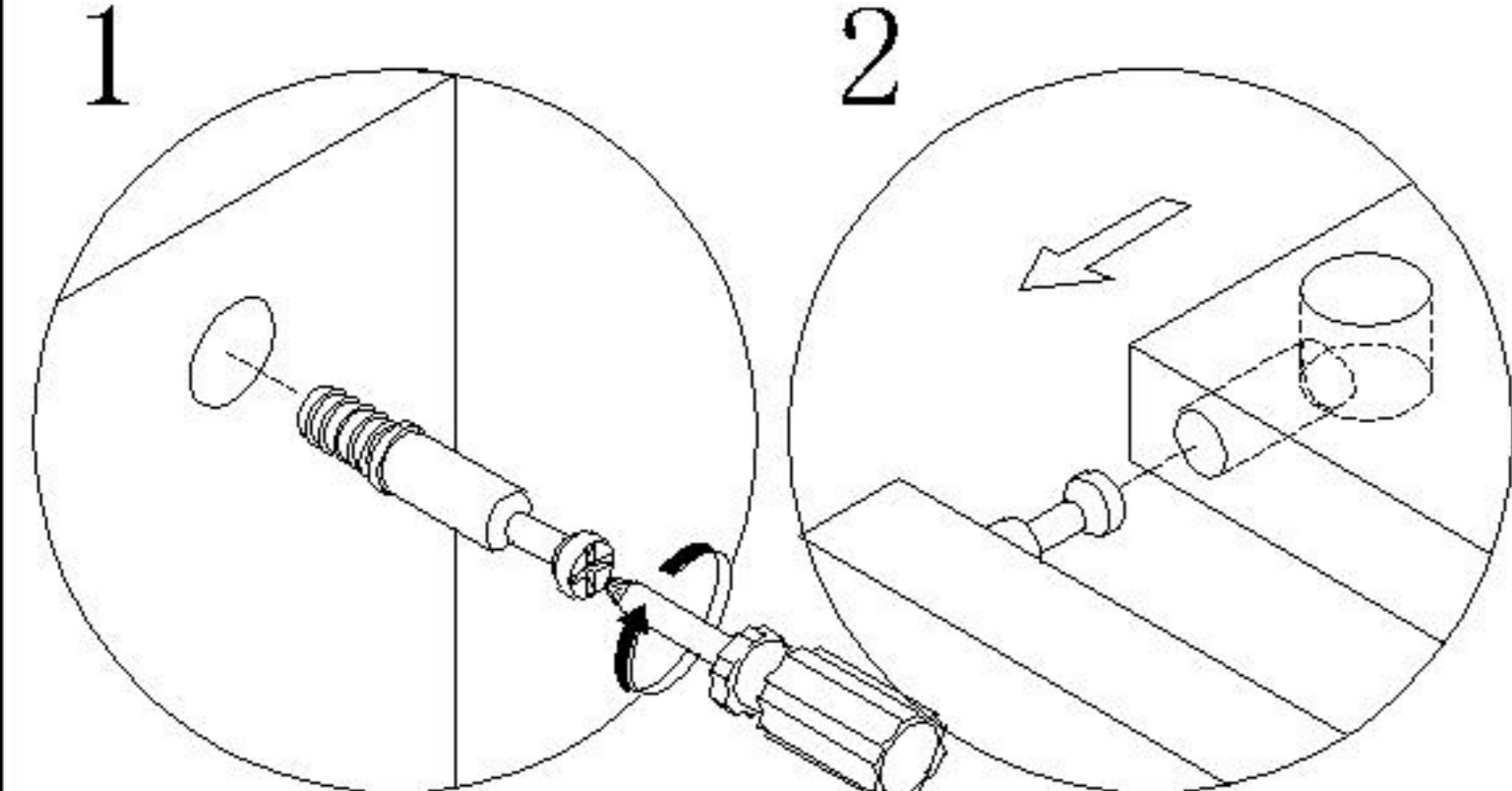
安装方法/  
Installation method



小二合一  
small two-in-one

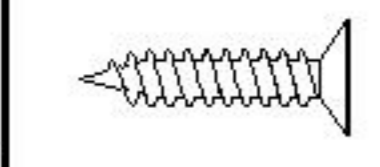


塑料螺母  
Plastic Nut

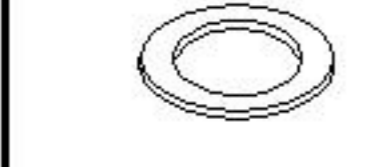


大二合一  
two-in-one

(D)\*1



(G)\*3



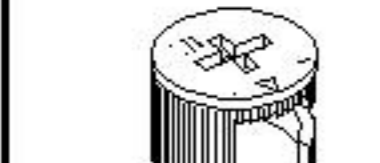
(I)\*3



(M)\*3



(O)\*4



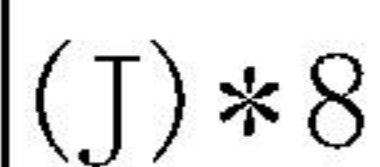
(P)\*4



(J)\*8



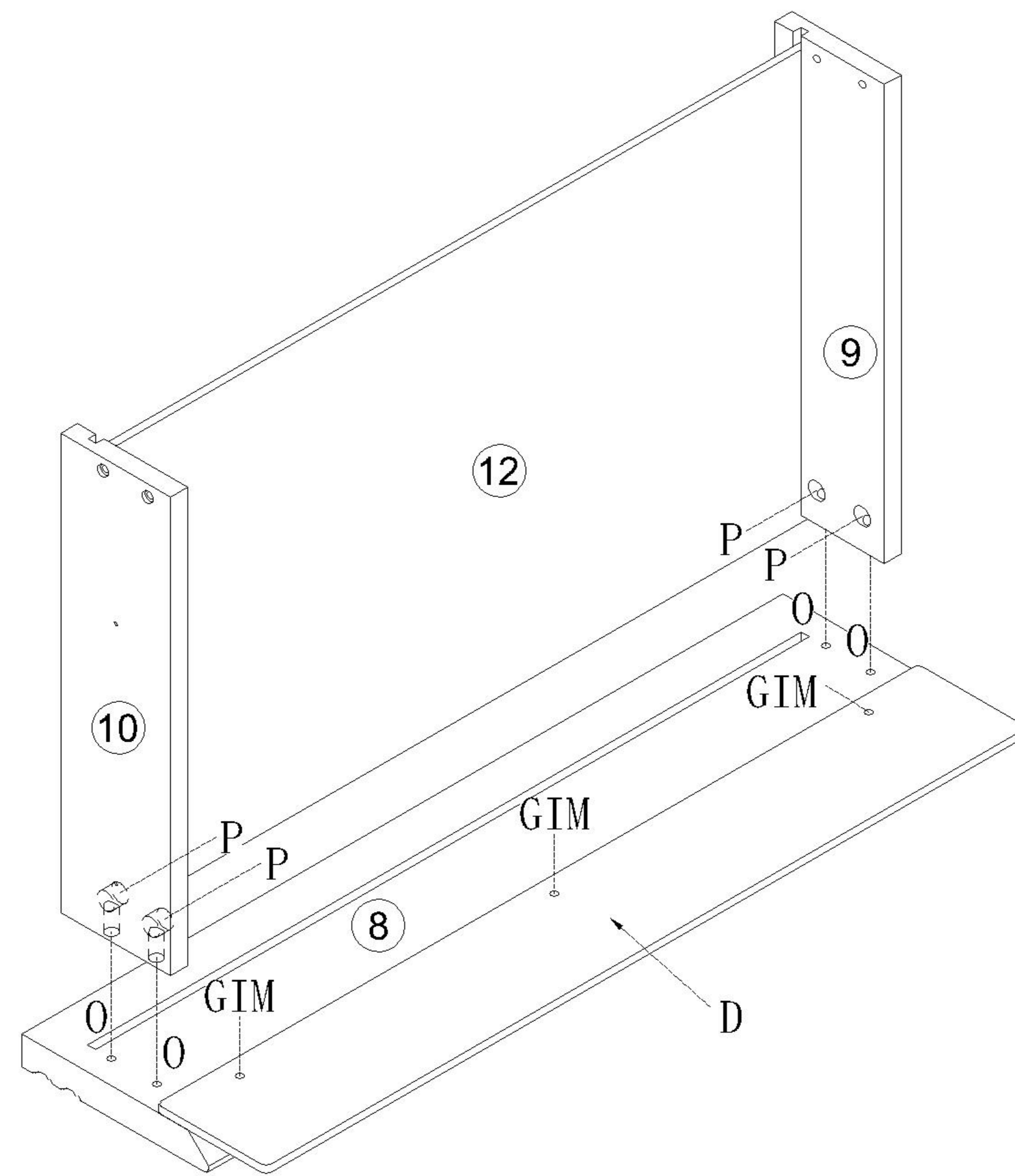
(K)\*8



(N)\*8

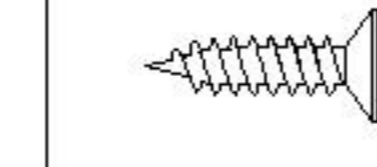


(N)\*8



1

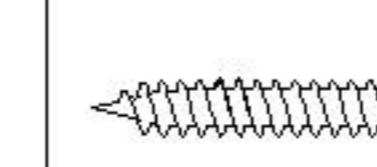
(A)\*1



(E)\*6



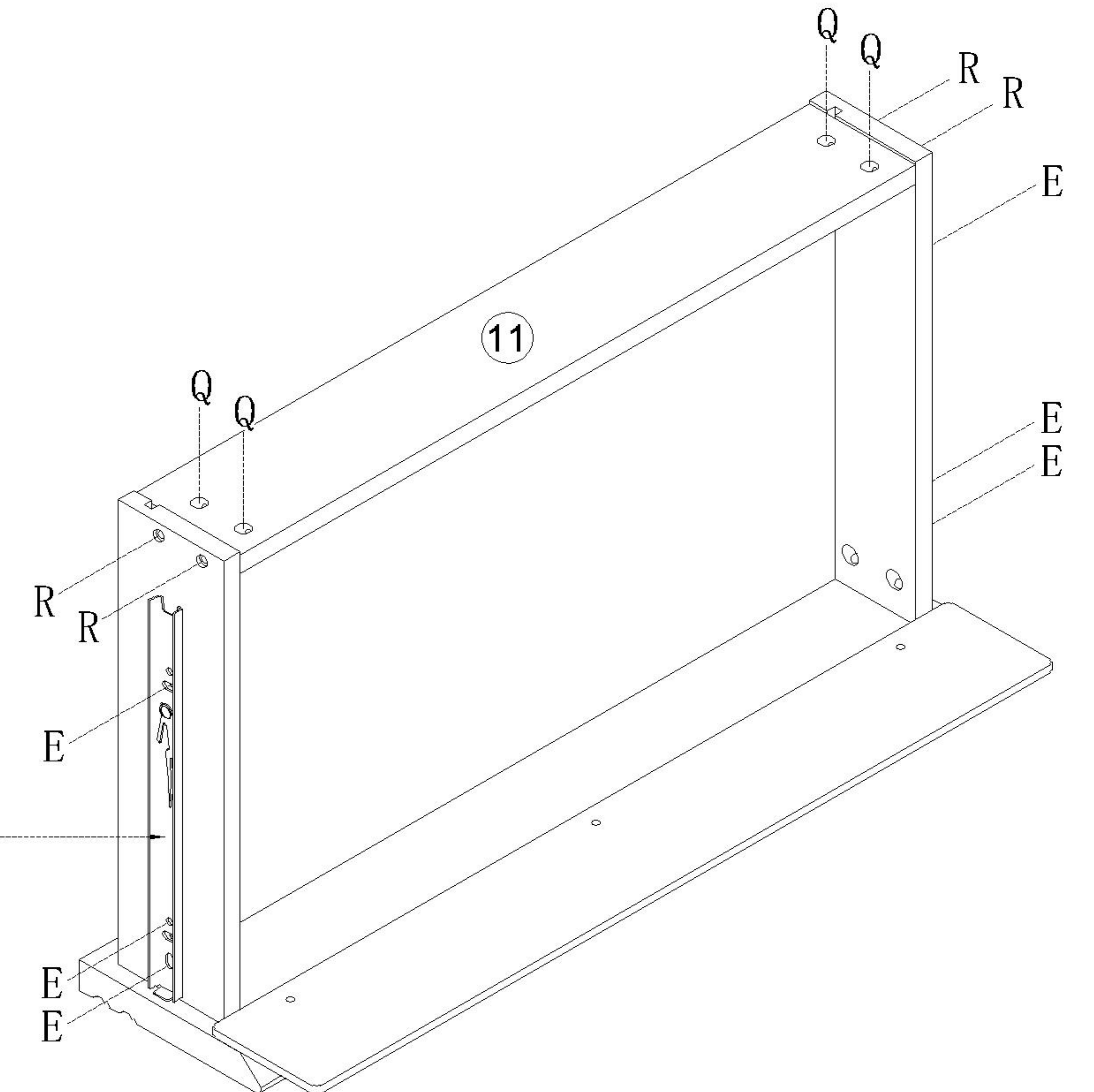
(Q)\*4



(R)\*4



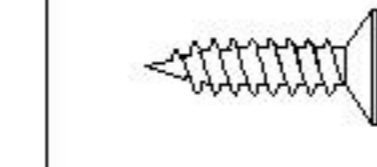
(A) 副轨  
Sub rail



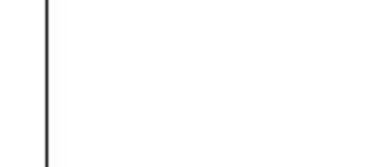
2

3

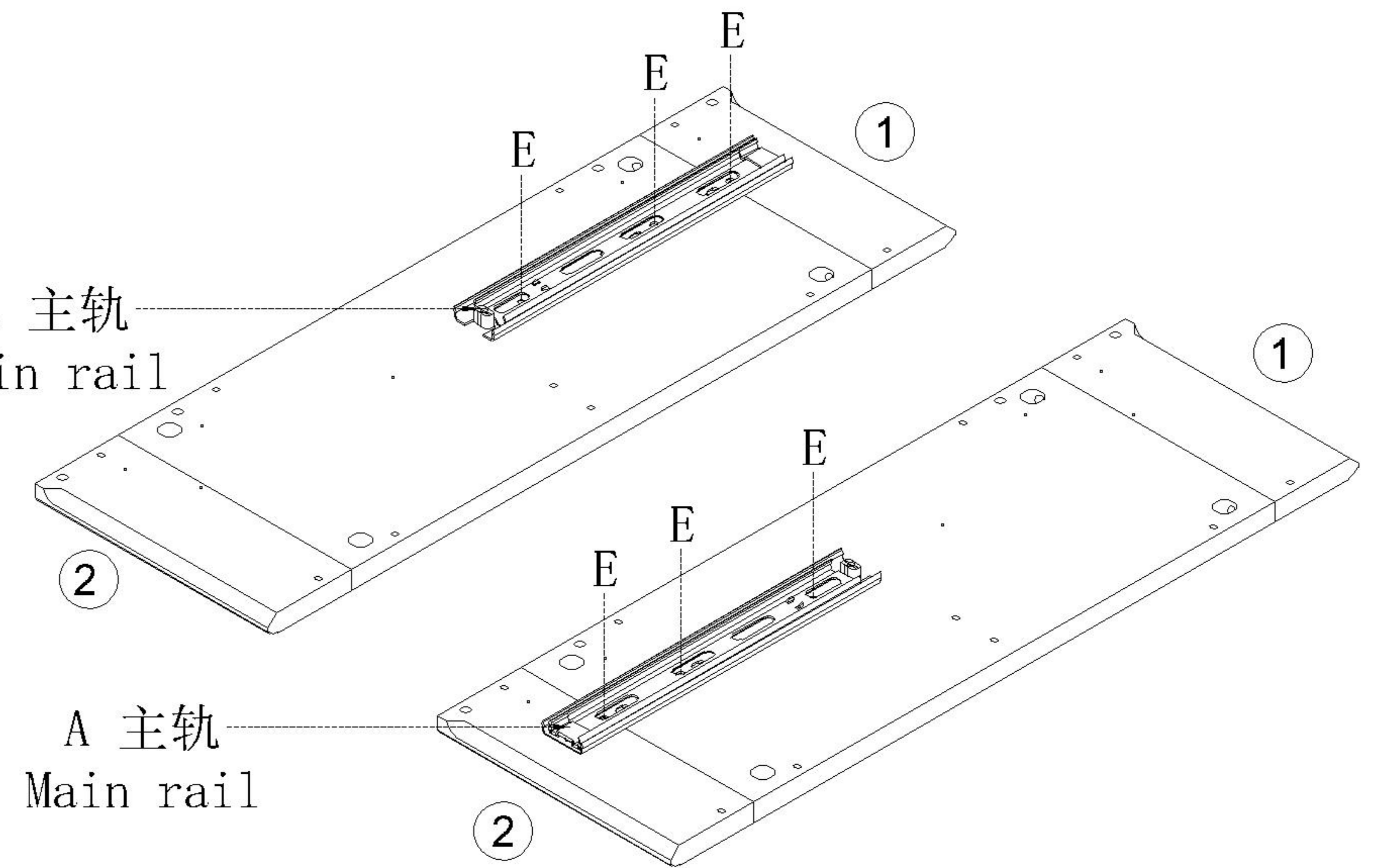
(A)\*1



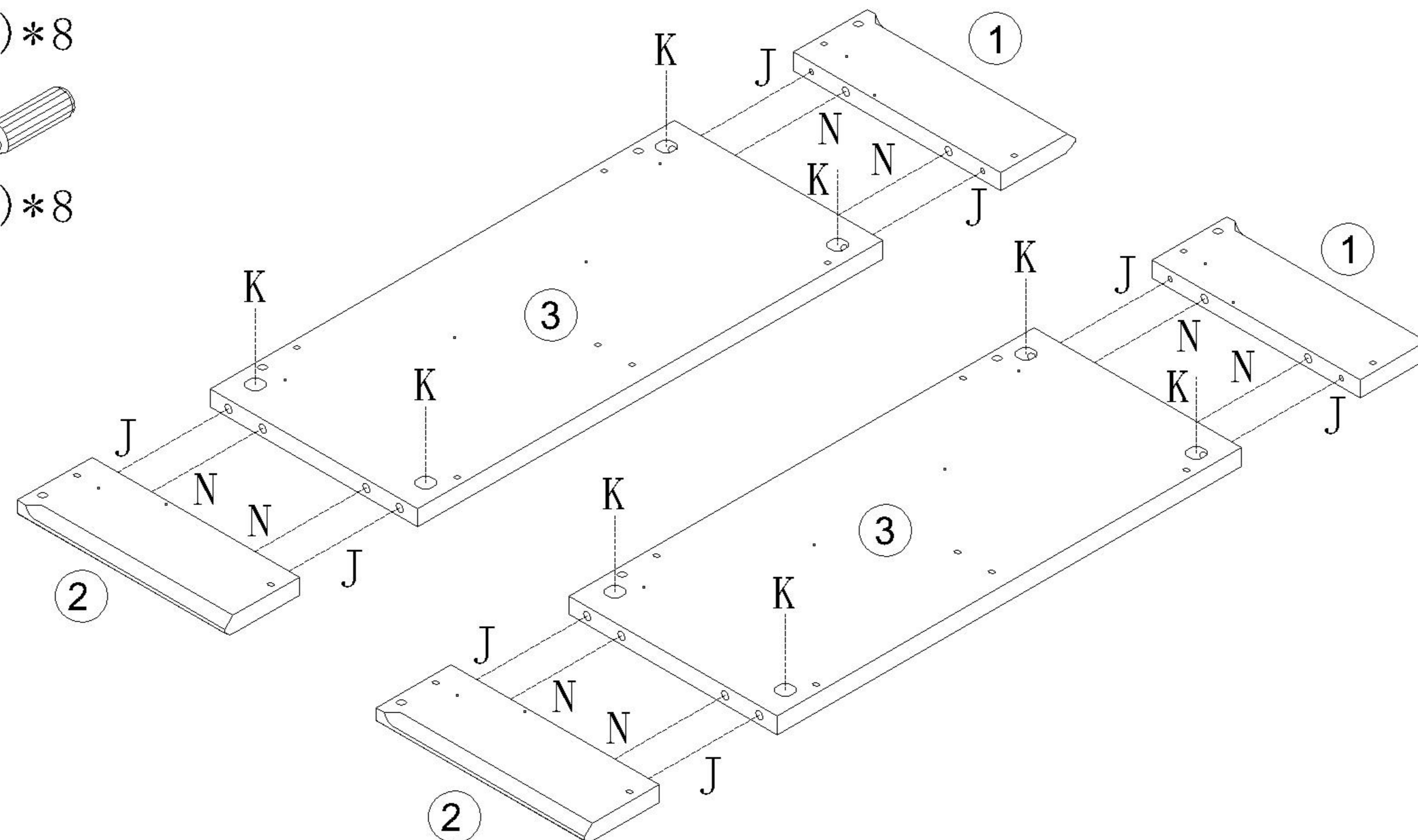
(E)\*6



A 主轨  
Main rail

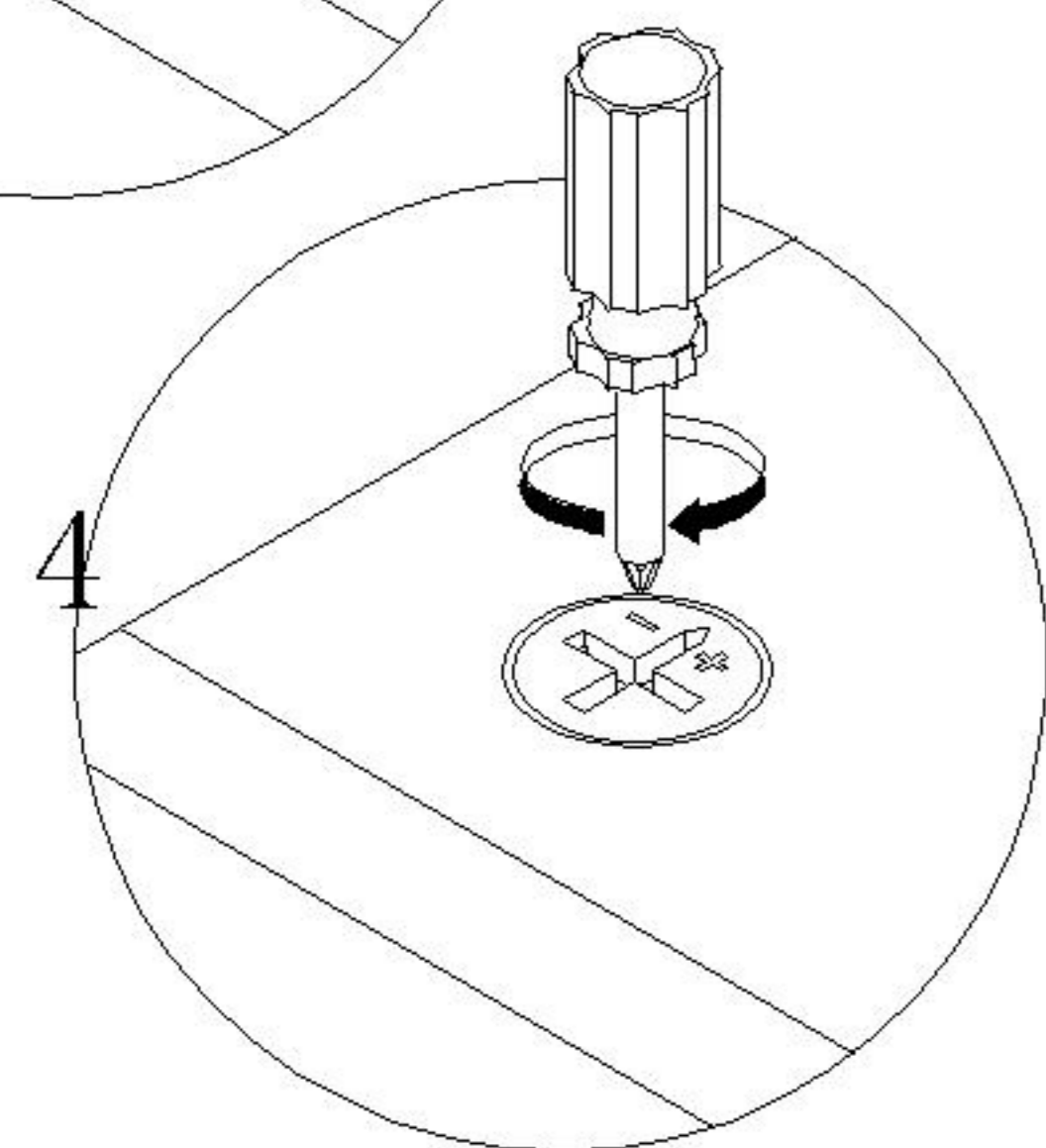
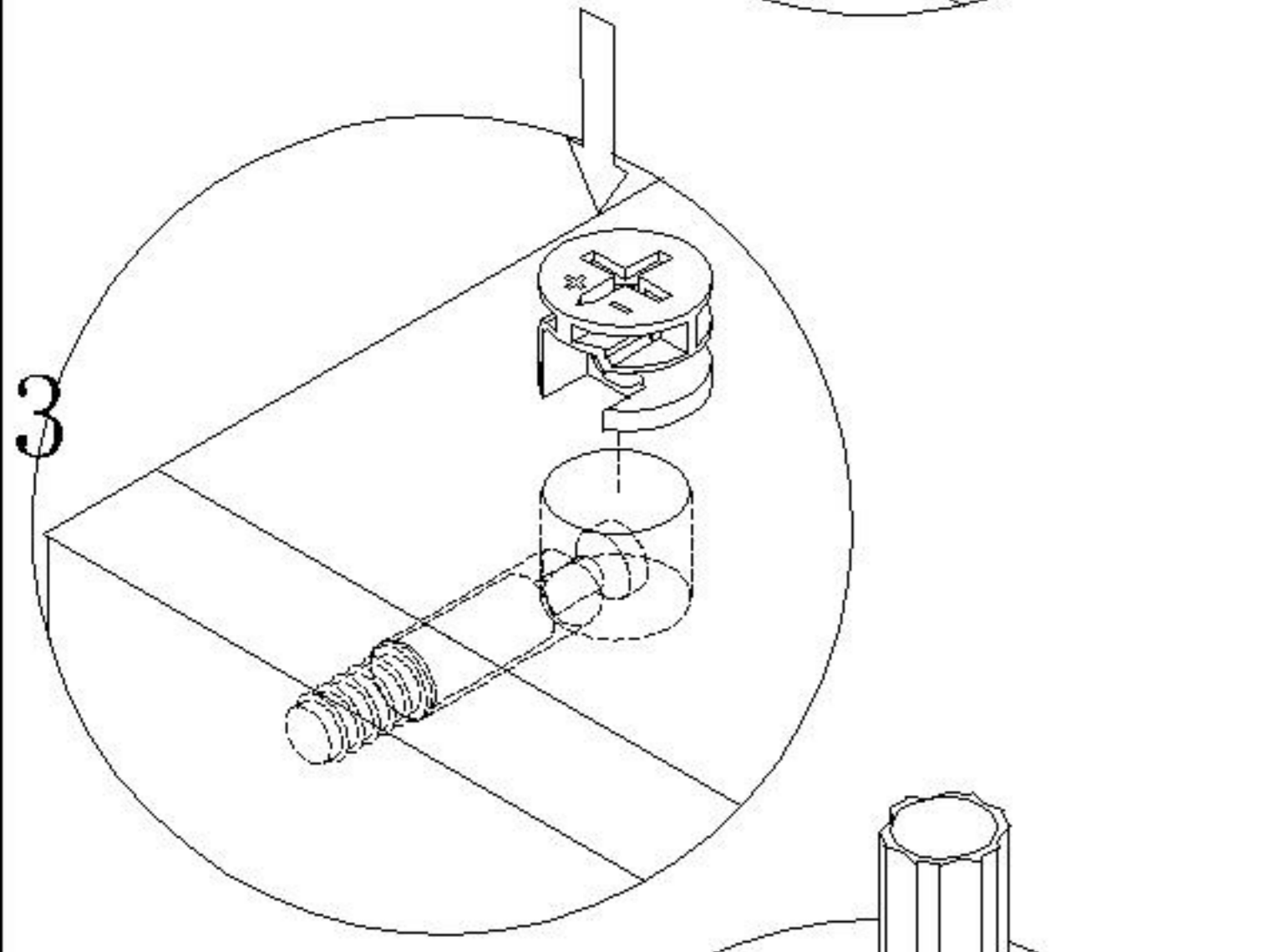
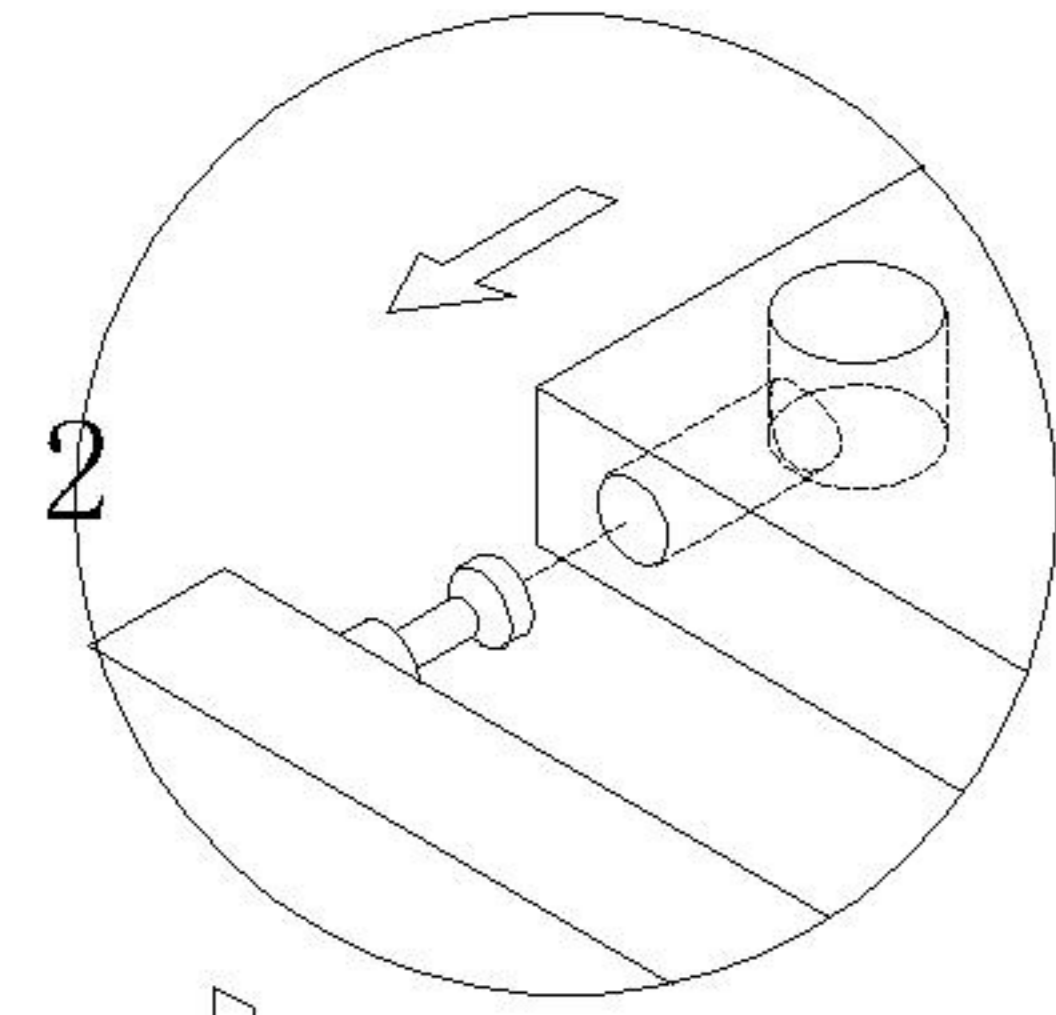
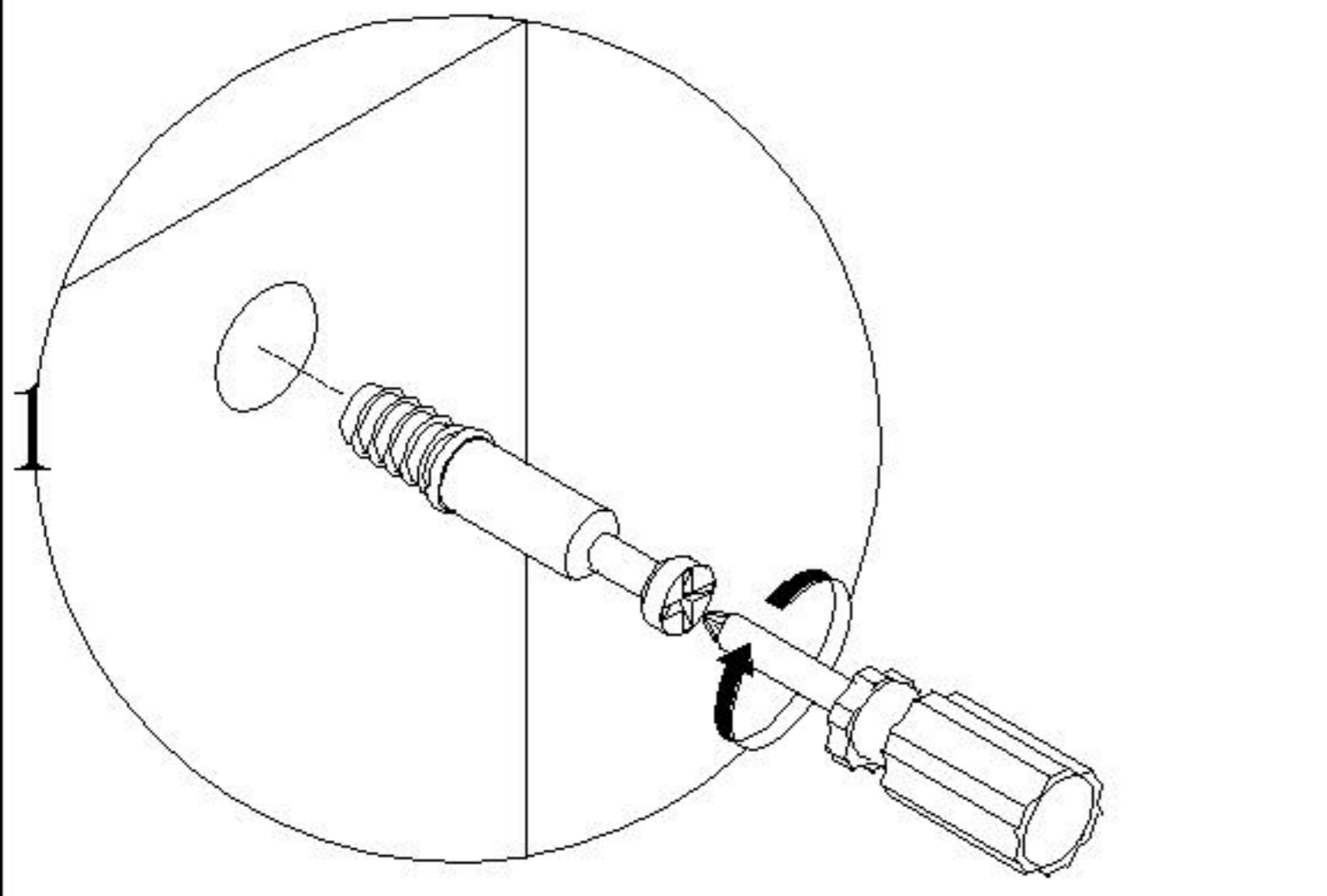


4

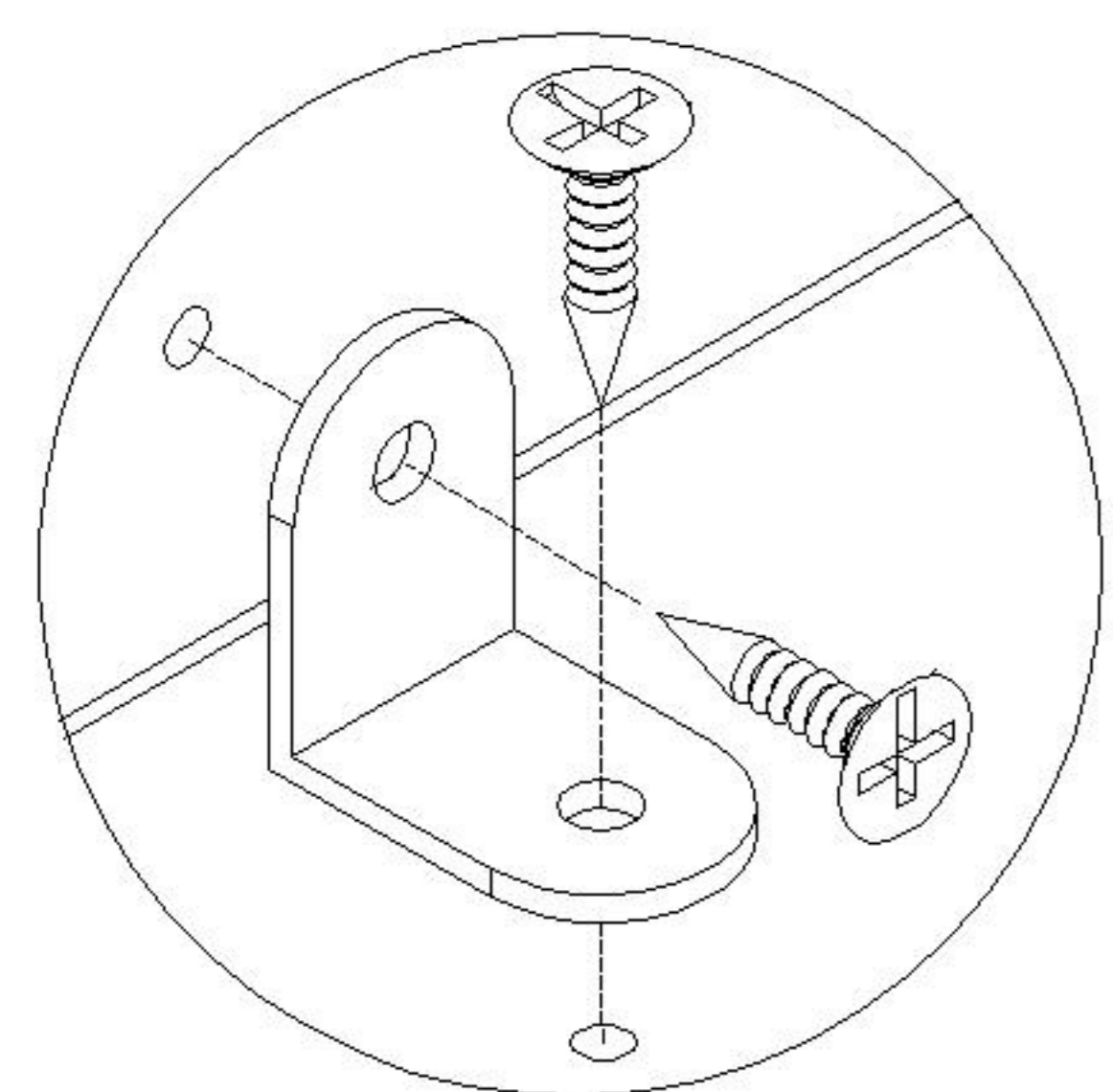


UM2L-A

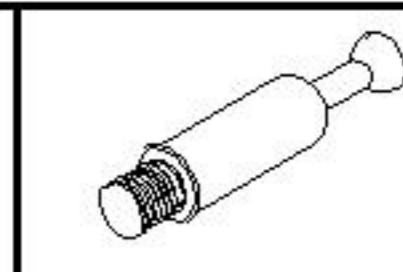
安装方法/  
Installation method



大二合一  
two-in-one



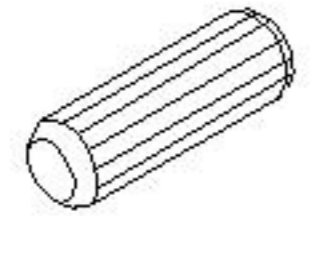
角码  
Bracket



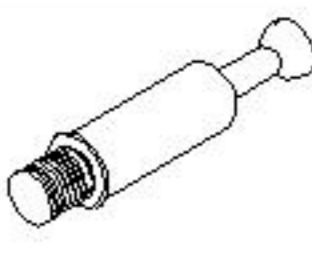
(J)\*8



(K)\*8



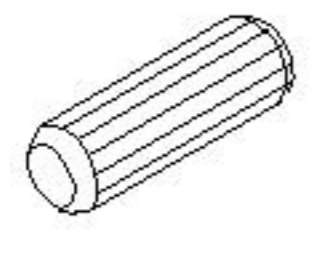
(N)\*8



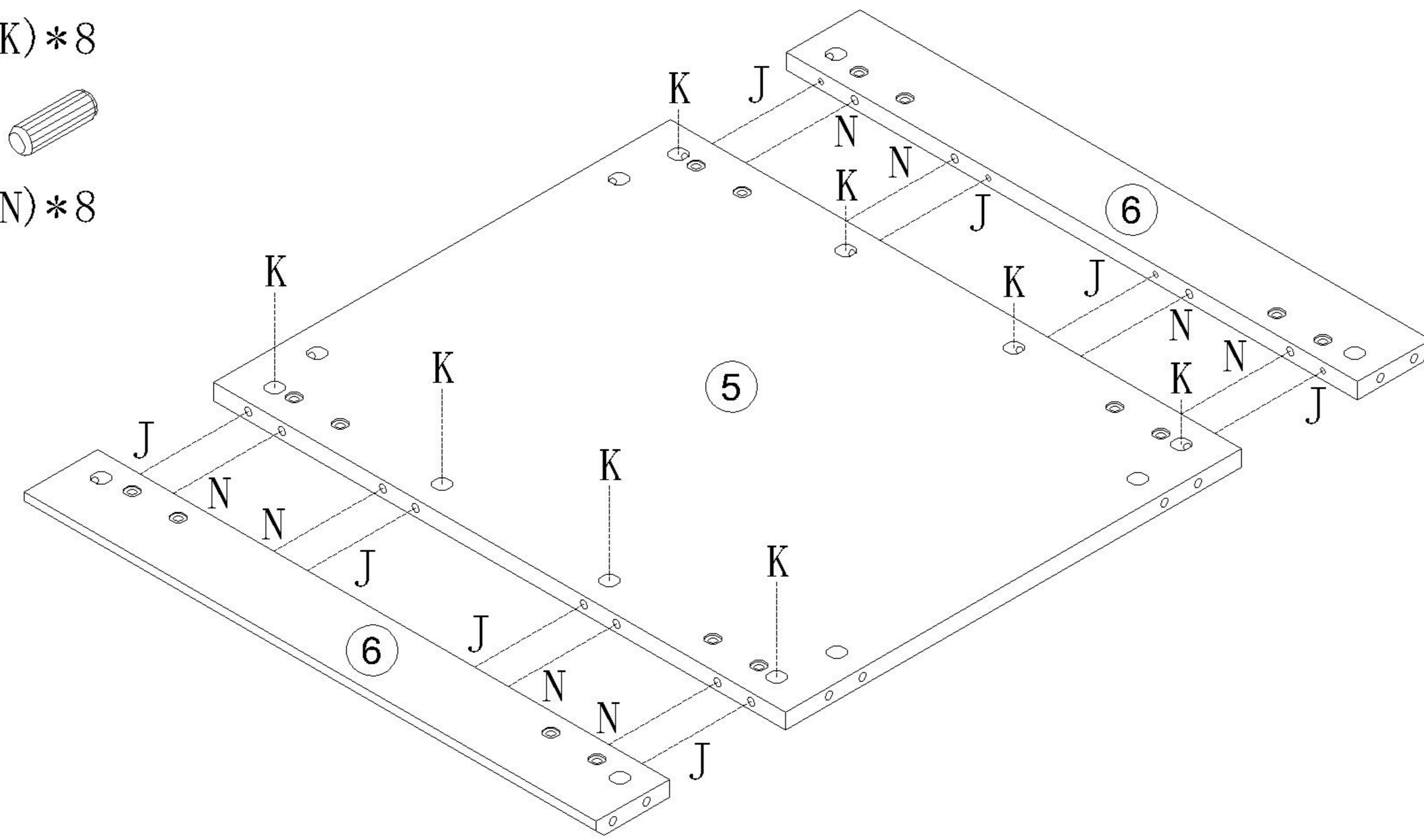
(J)\*10



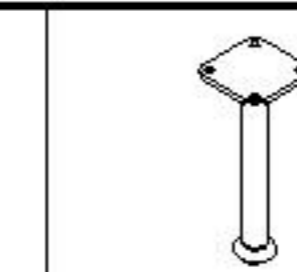
(K)\*10



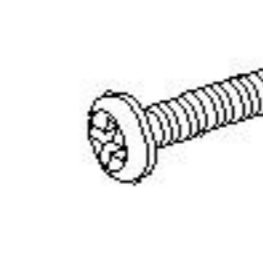
(N)\*4



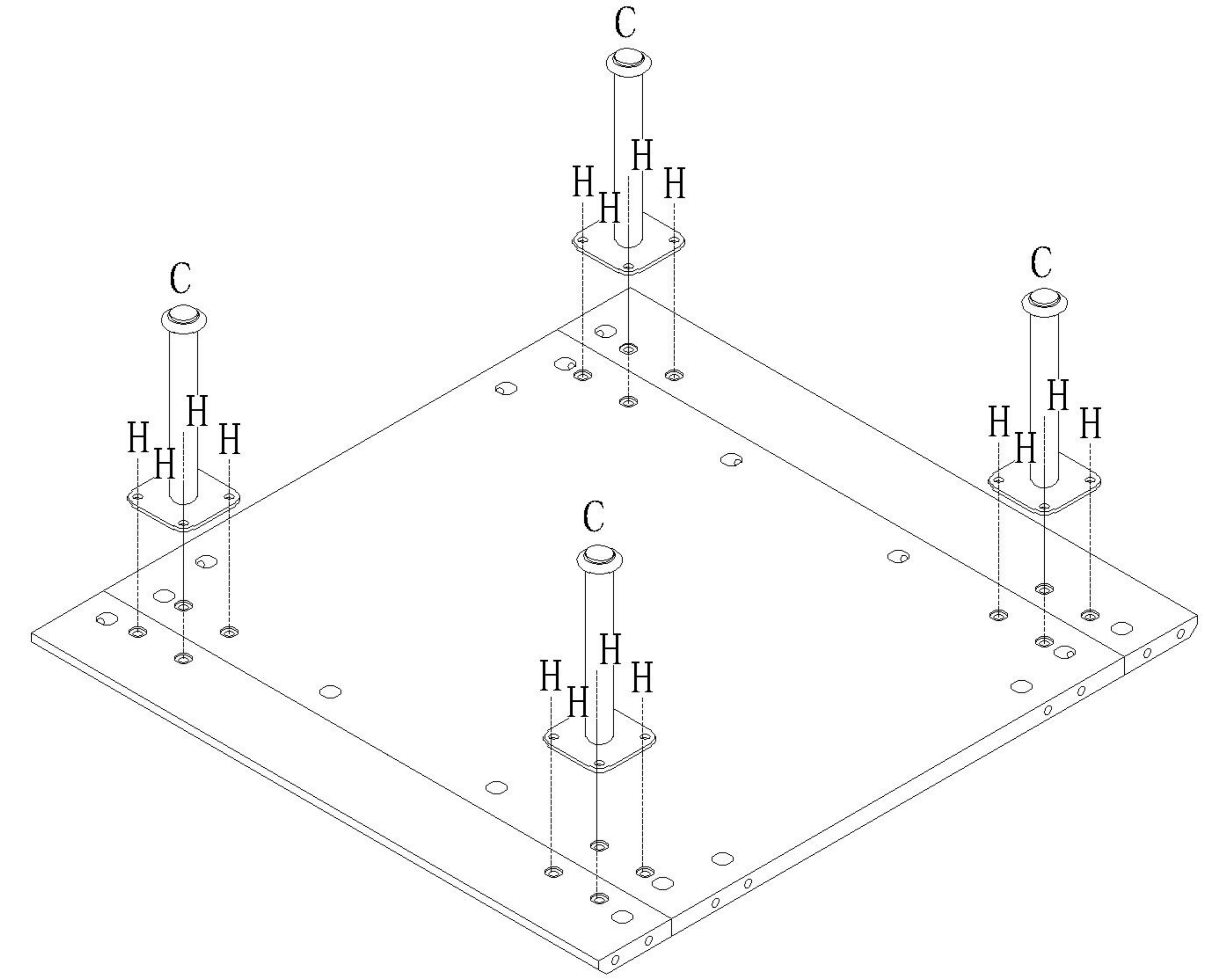
5



(C)\*4

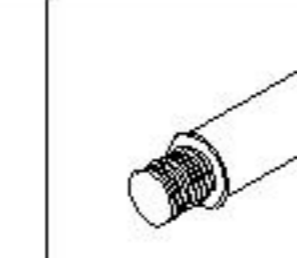


(H)\*16



6

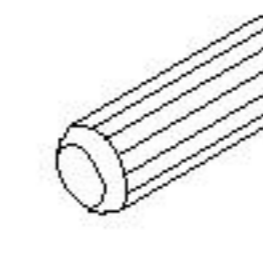
7



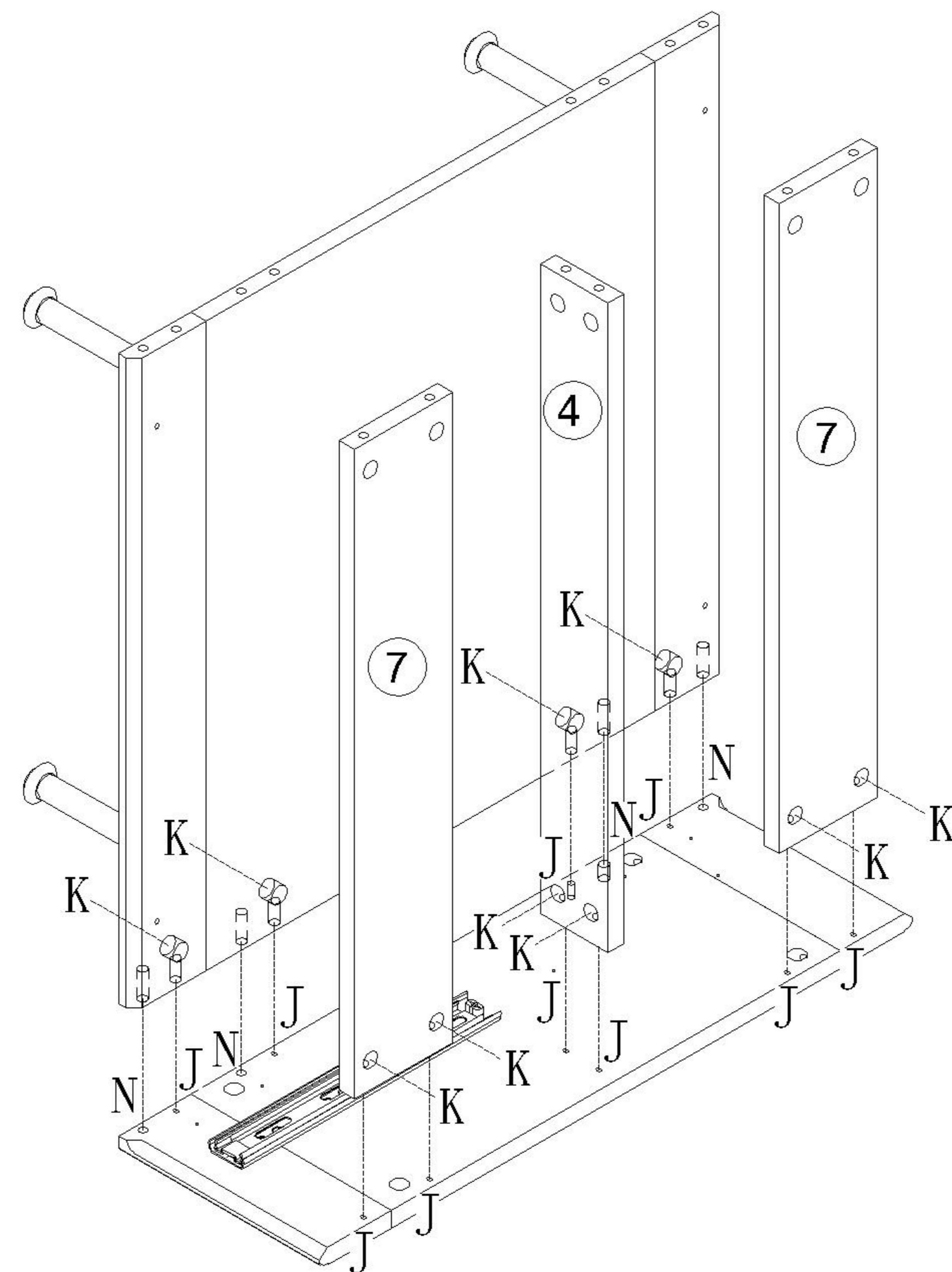
(J)\*10



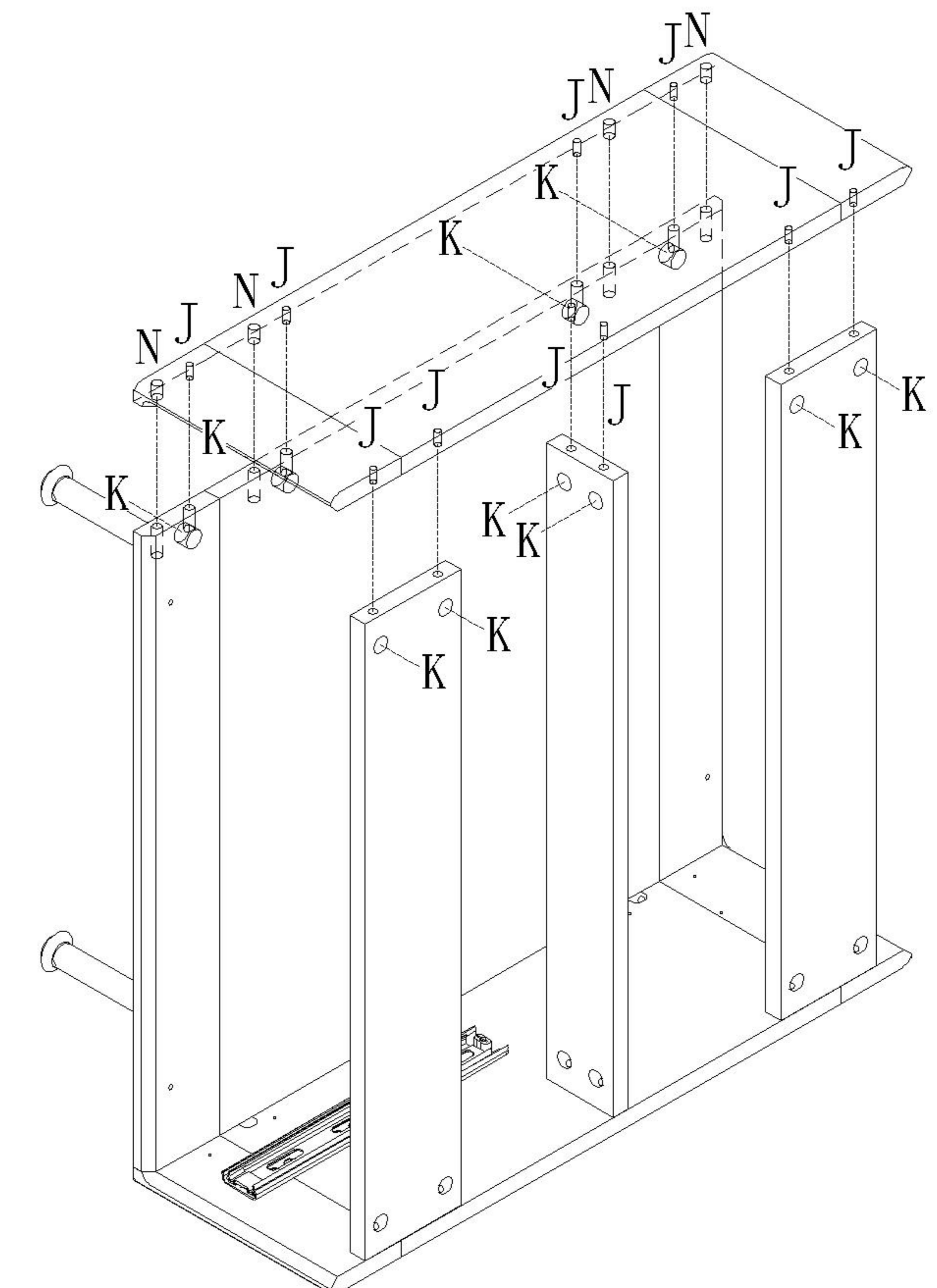
(K)\*10



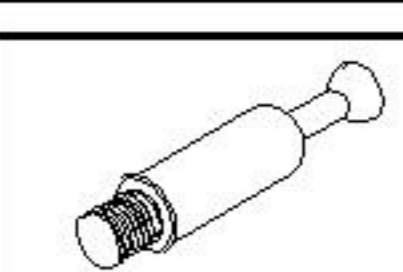
(N)\*4



8



UM2L-A

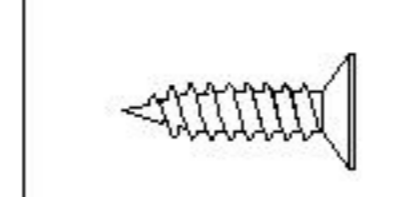


(J)\*2



(K)\*2

9



(E)\*24

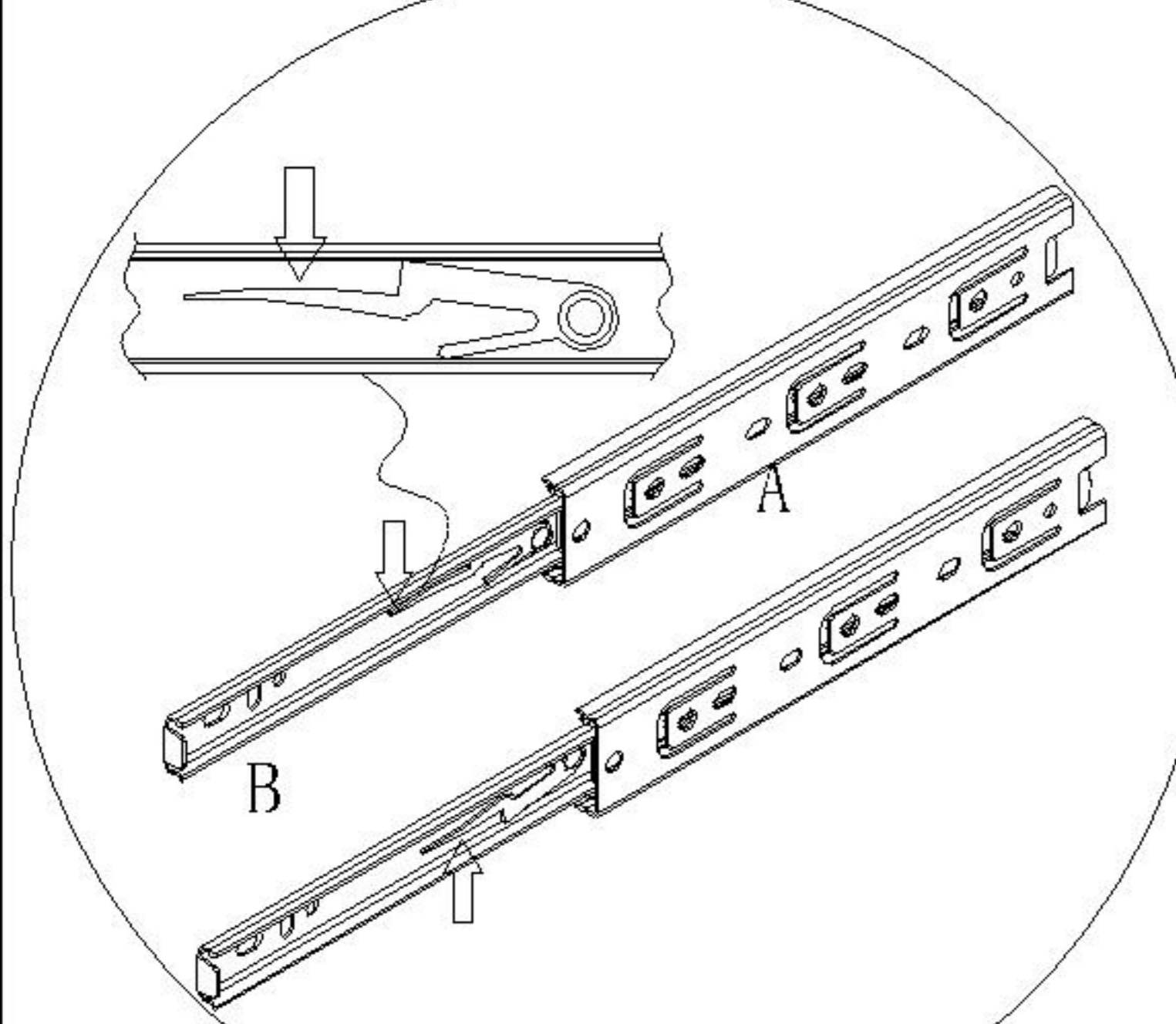


(F)\*12

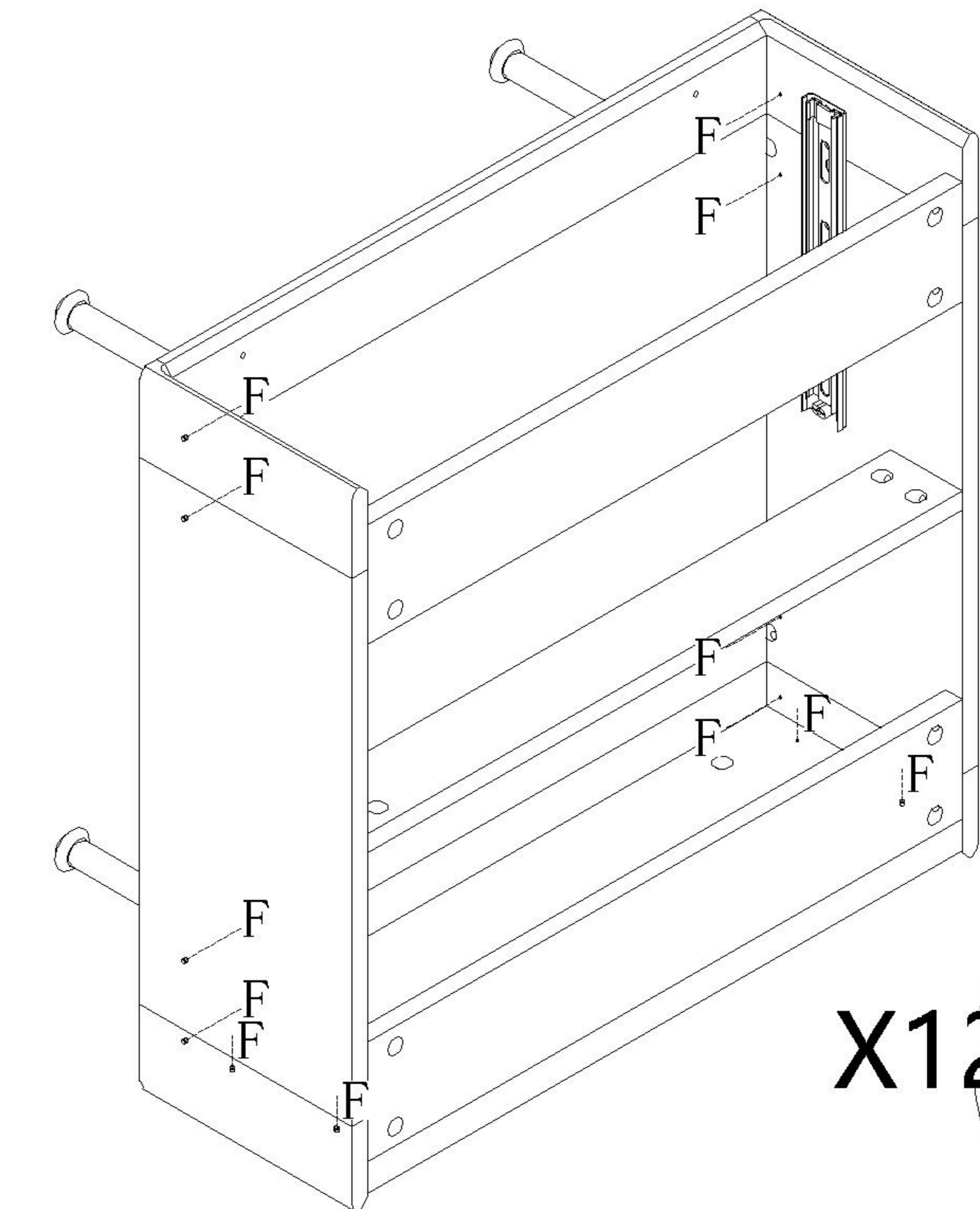
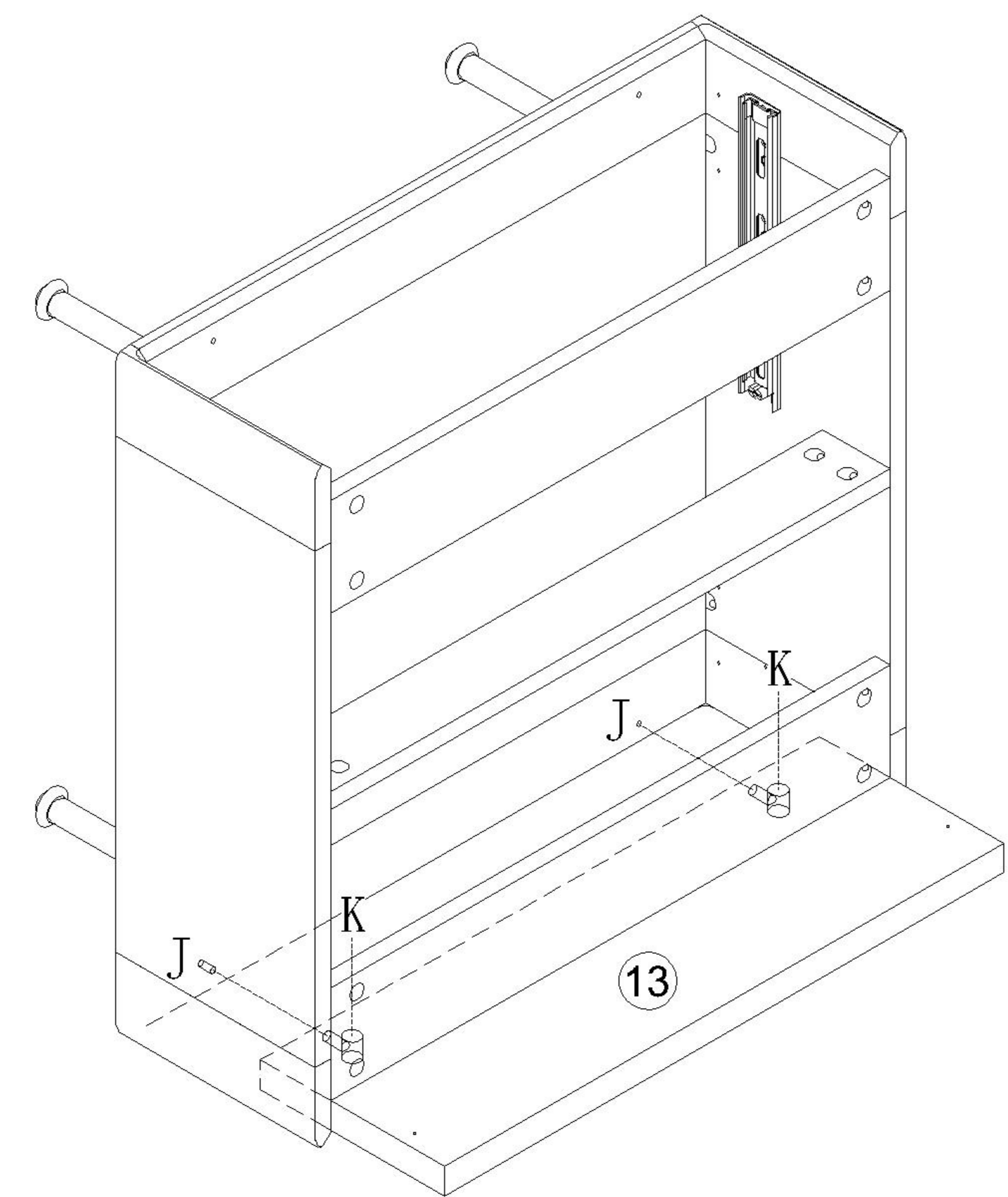
10

安装方法/  
Installation method

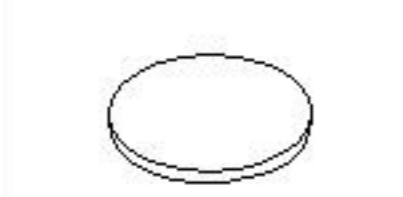
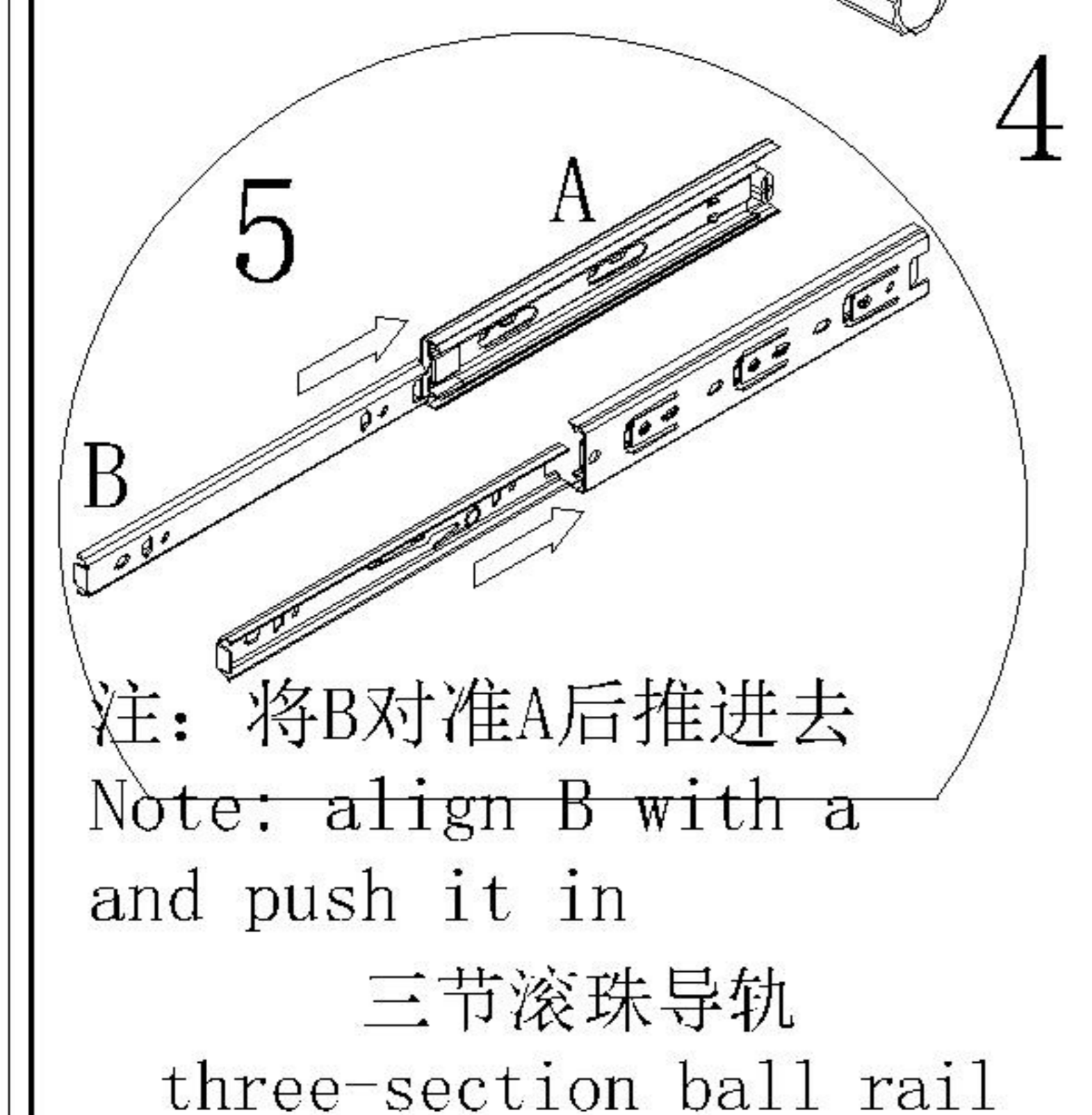
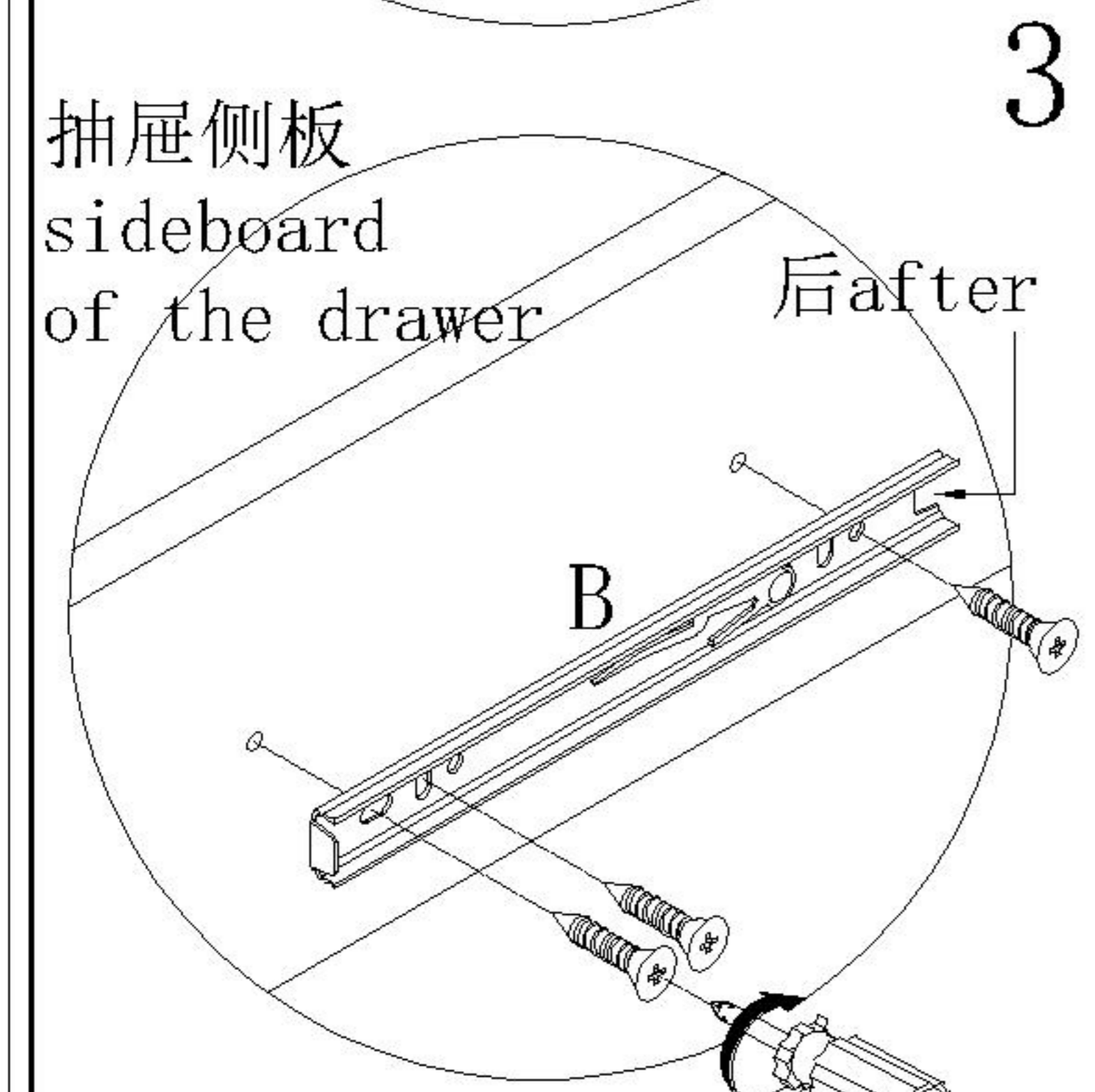
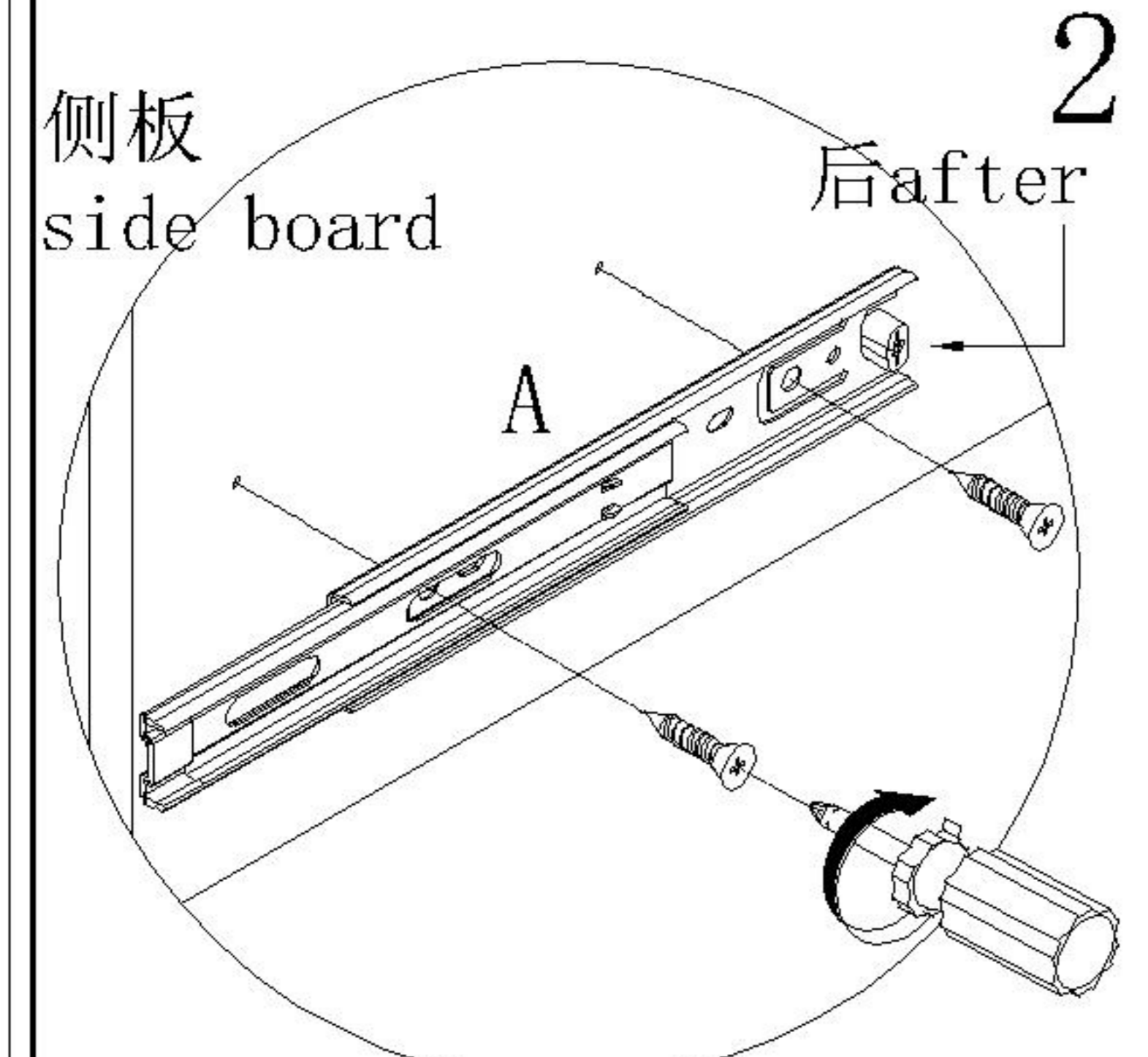
1 阀门开关(下压为开)  
Valve switch  
(press down to open)



注: 先将A与B拆下来  
Note: remove a and B first



X12



(L)\*6

11



(B)\*1

12

