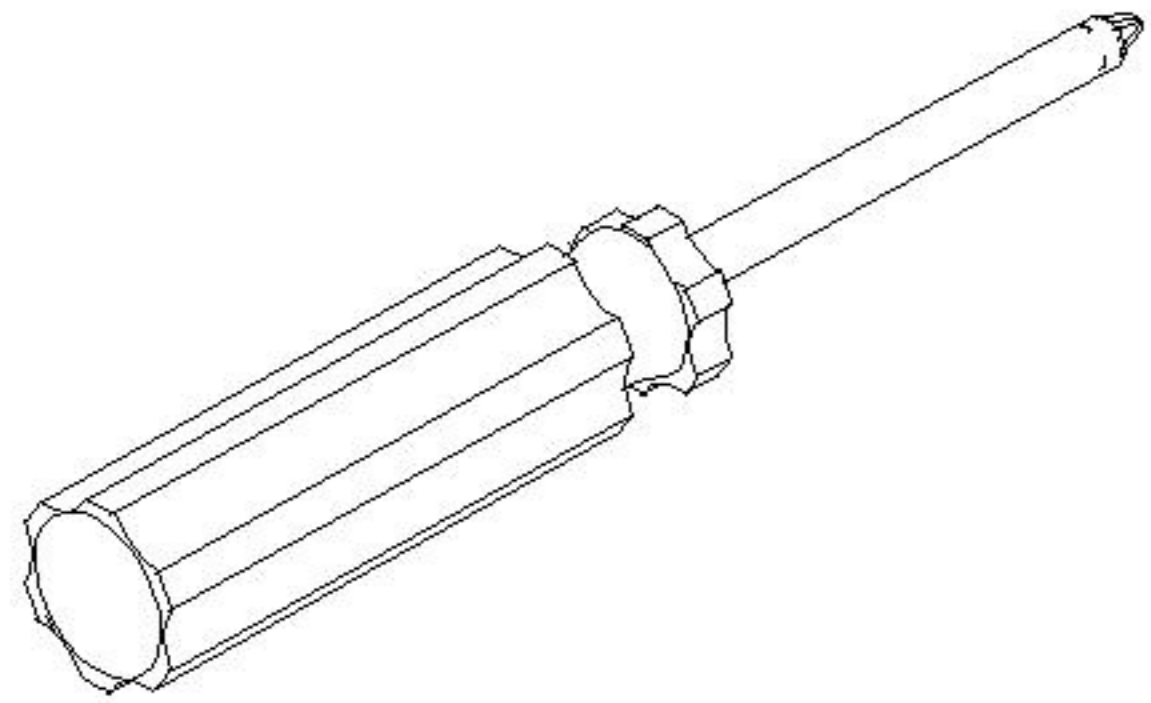
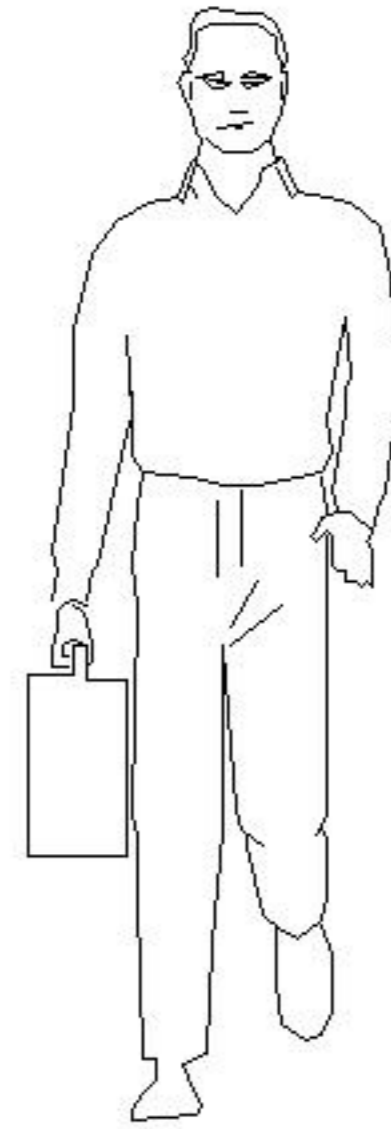


LINSY 林氏家居

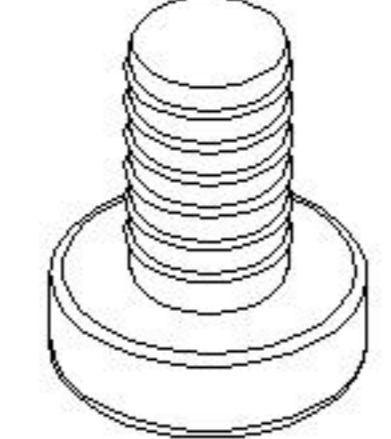
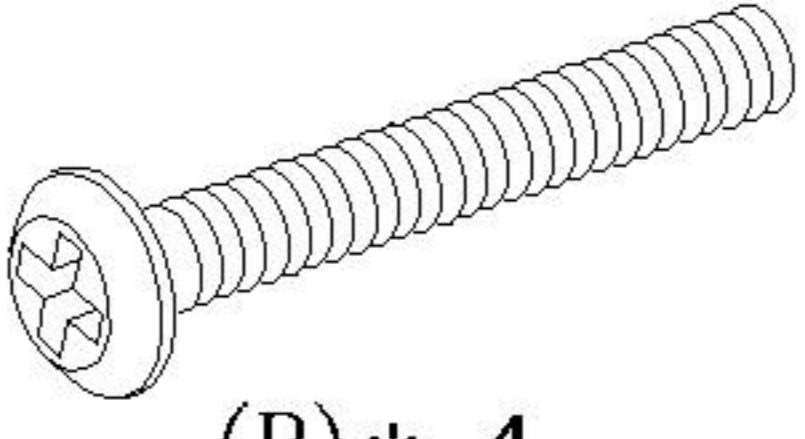
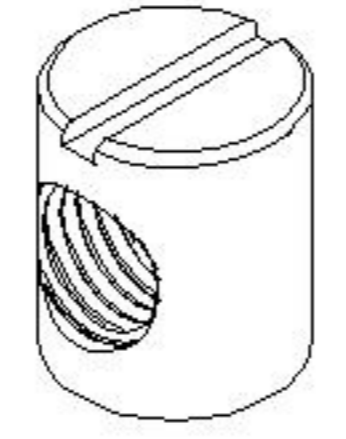
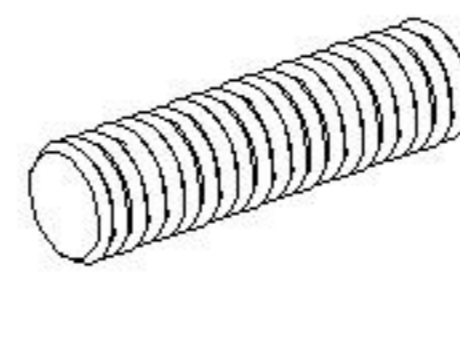
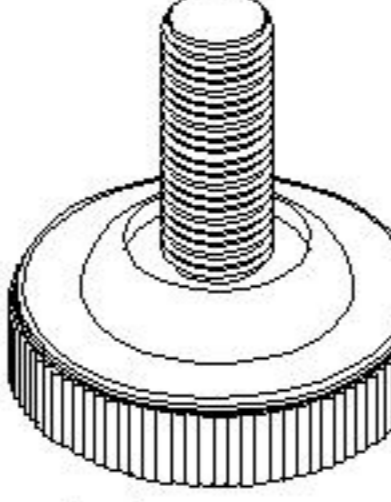
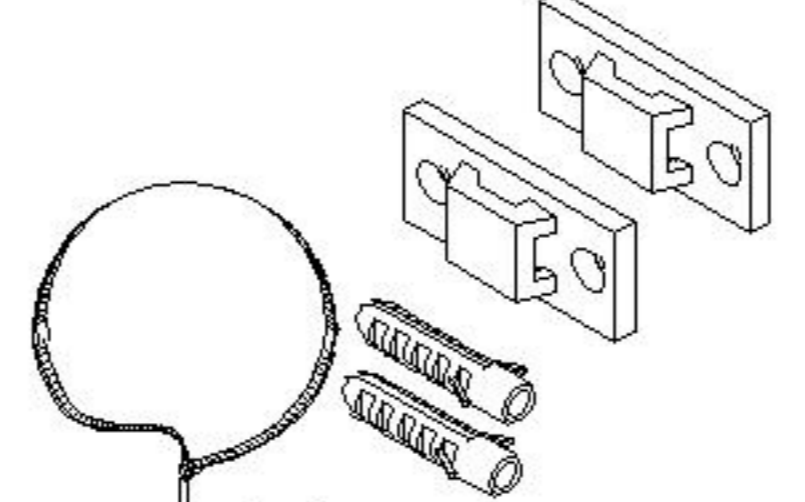
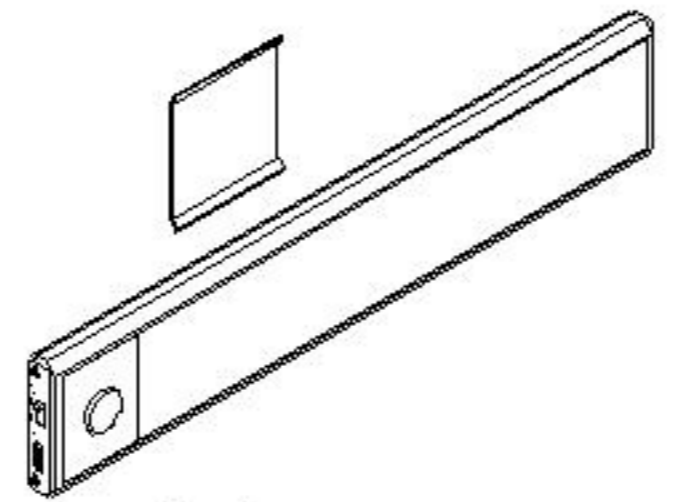
五金表/Hardware list

部件表/Parts List

安装示意图/Assembly Instruction

产品名称 Model NO.	C01T-A(1.5M)
产品规格 Specification	1500*400*880mm
安装工具 Tool	安装人数 Installer
	



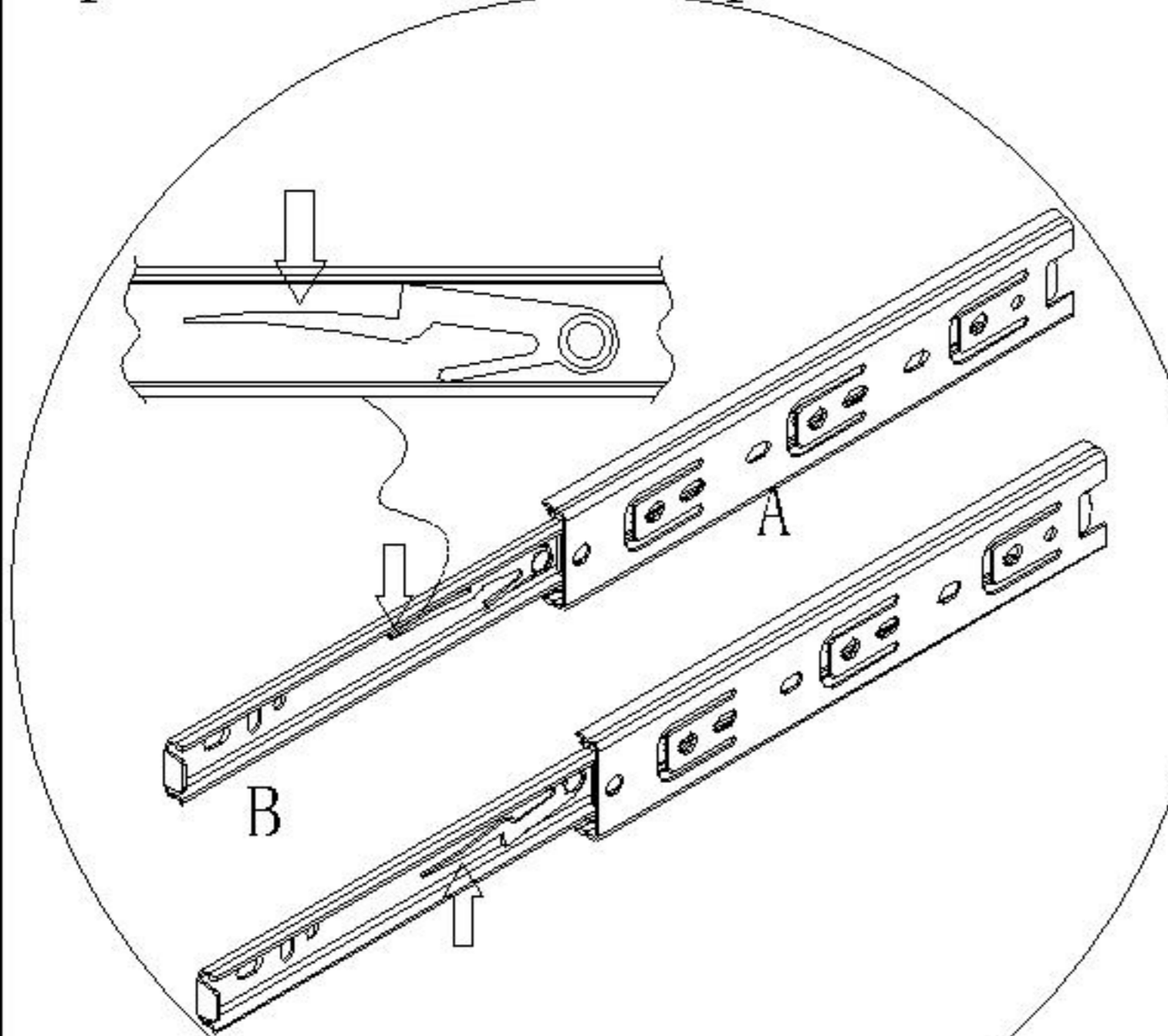
 (A)* 4 9厘透明防滑PVC脚垫 Rubber stopper	 (B)* 4 斜边十字螺杆-M8x50 bevel cross screw	 (C)* 4 锤母-M8*15mm Hammer nut	 (D)* 1 全牙螺杆-M8x35mm screw- color zinc
 (E)* 1 调节脚 Adjusting foot	 (F)* 1 家具防倒器-白色 Anti-fall device white	 (G)* 1 感应灯 Induction lamp	

编号NO.	名称Name	规格 (mm) Specification	数量QTY	材质Material
①	整装柜子 Packaged cabinet	1500*400*750	1	实木+钢化玻璃 wood+glass
1-1	上柜 Upper cabinet	1500*400*720	1	实木wood
1-1-1	面板 Top panel	1500*400*20	1	实木wood
1-1-2	底板 Bottom board	1500*400*20	1	实木wood
1-1-3	左侧板 Side board(L)	706*400*20	1	实木wood
1-1-4	右侧板组立 Side board assembly(R)	706*400*26	1	实木wood
1-1-5	中侧板组立 Middle side board assembly	680*374*26	1	实木wood
1-1-6	连接木 Linked wood	290*20*20	1	实木wood
1-2	层板 Shelf	477*351*20	1	实木wood
1-3	翻门 Swing door	474*318*20	1	实木wood
1-4	抽屉面板 Drawer's top panel	474*175*20	2	实木wood
1-5	抽屉内盒 Drawer's inner box	452*295*110	2	实木wood
1-6	背拉条 Back brace	1460*35*18	2	实木wood
1-7	前立水 Front apron	1338*30*20	1	实木wood
1-8	侧立水 Side apron	242*30*20	2	实木wood
1-9	边背板 Side back board	674*374*9	2	实木wood
1-10	中背板 Middle back board	674*374*9	2	实木wood
②	趟门板 Door plank	686*500*20	2	实木+钢化玻璃 wood+glass
③	脚 Foot	155*46*46	4	实木wood
④	中脚 Middle foot	142*32*32	1	实木wood

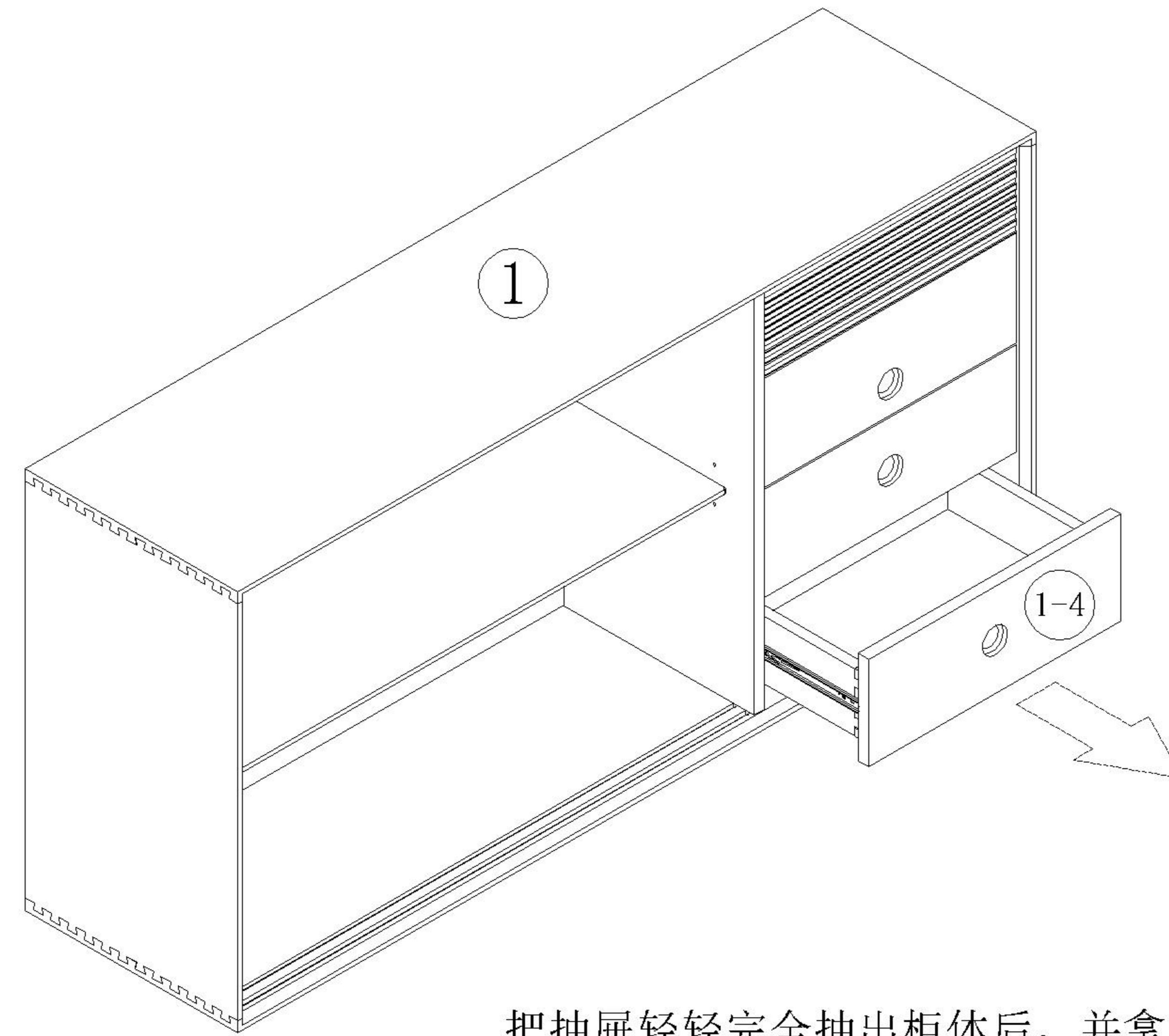
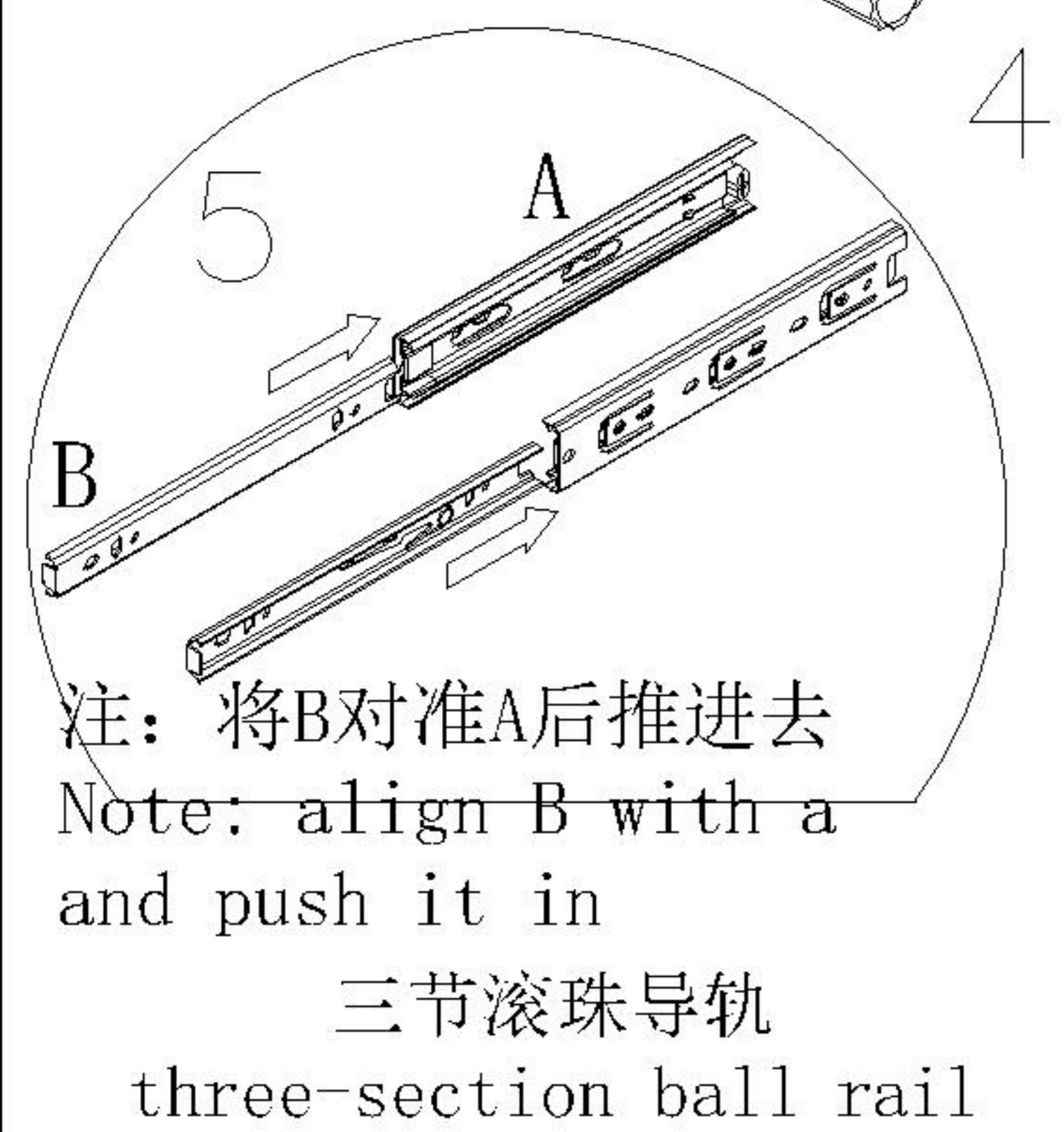
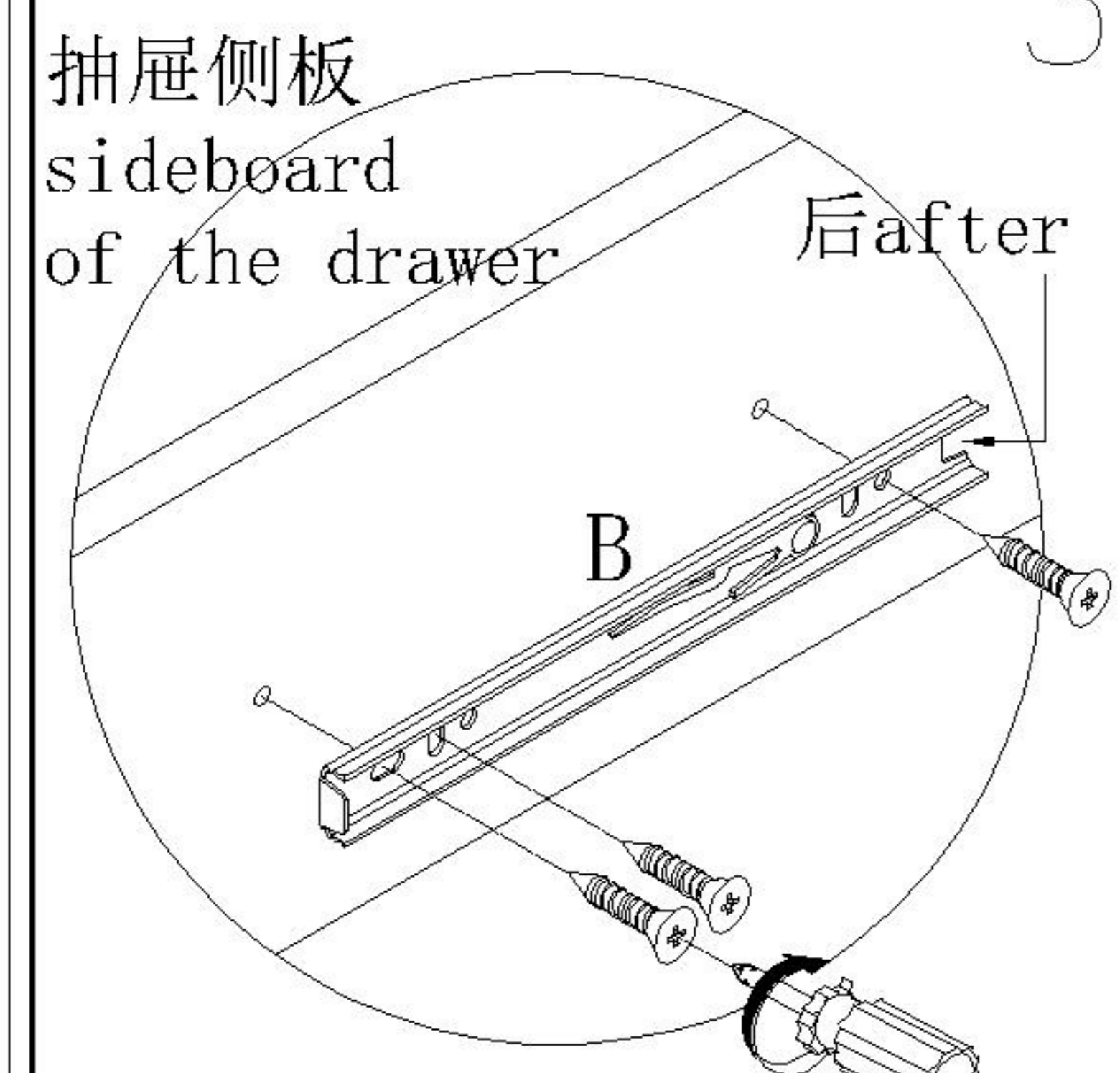
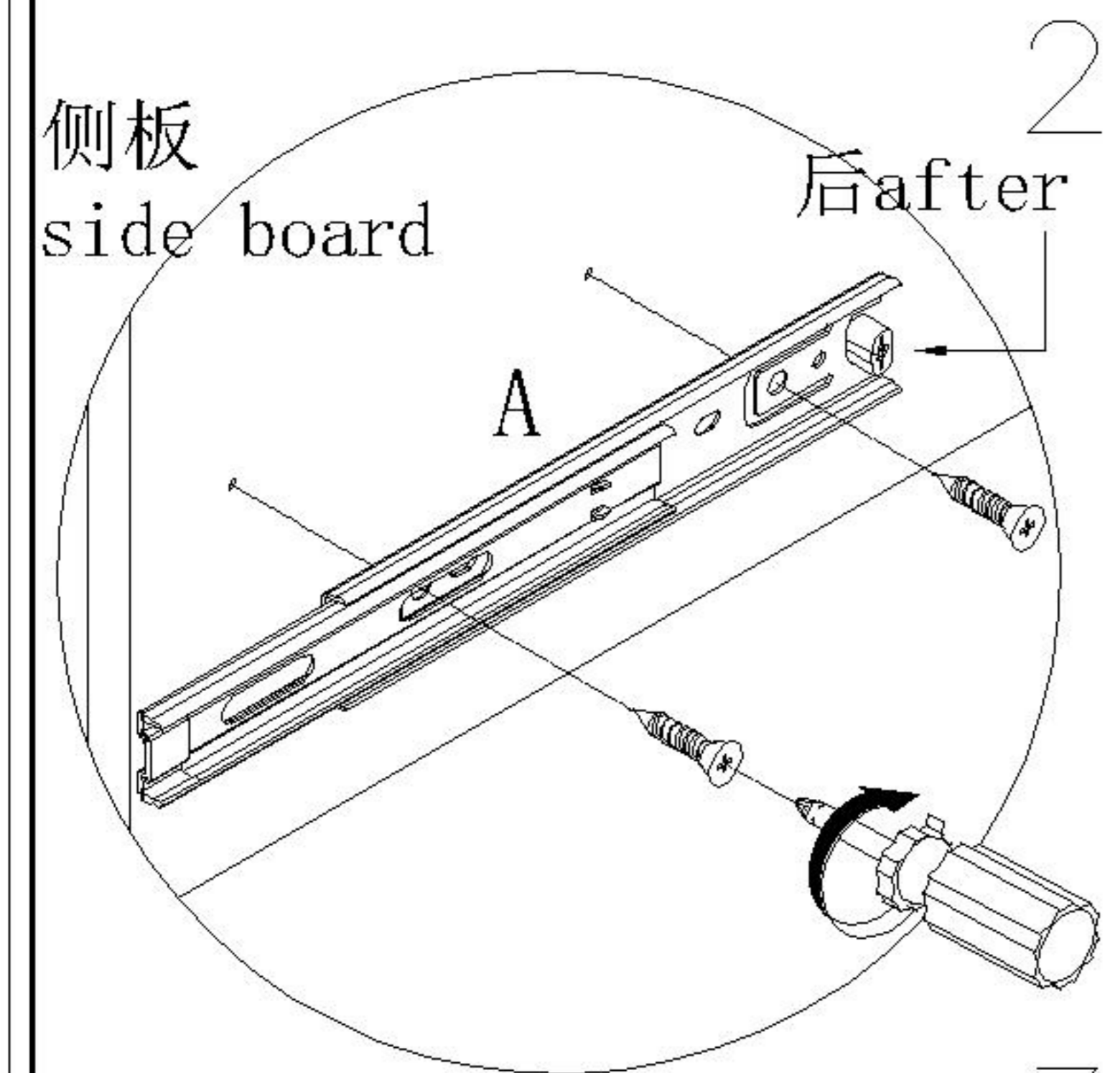
C01T-A(1.5M)

安装方法/
Installation method

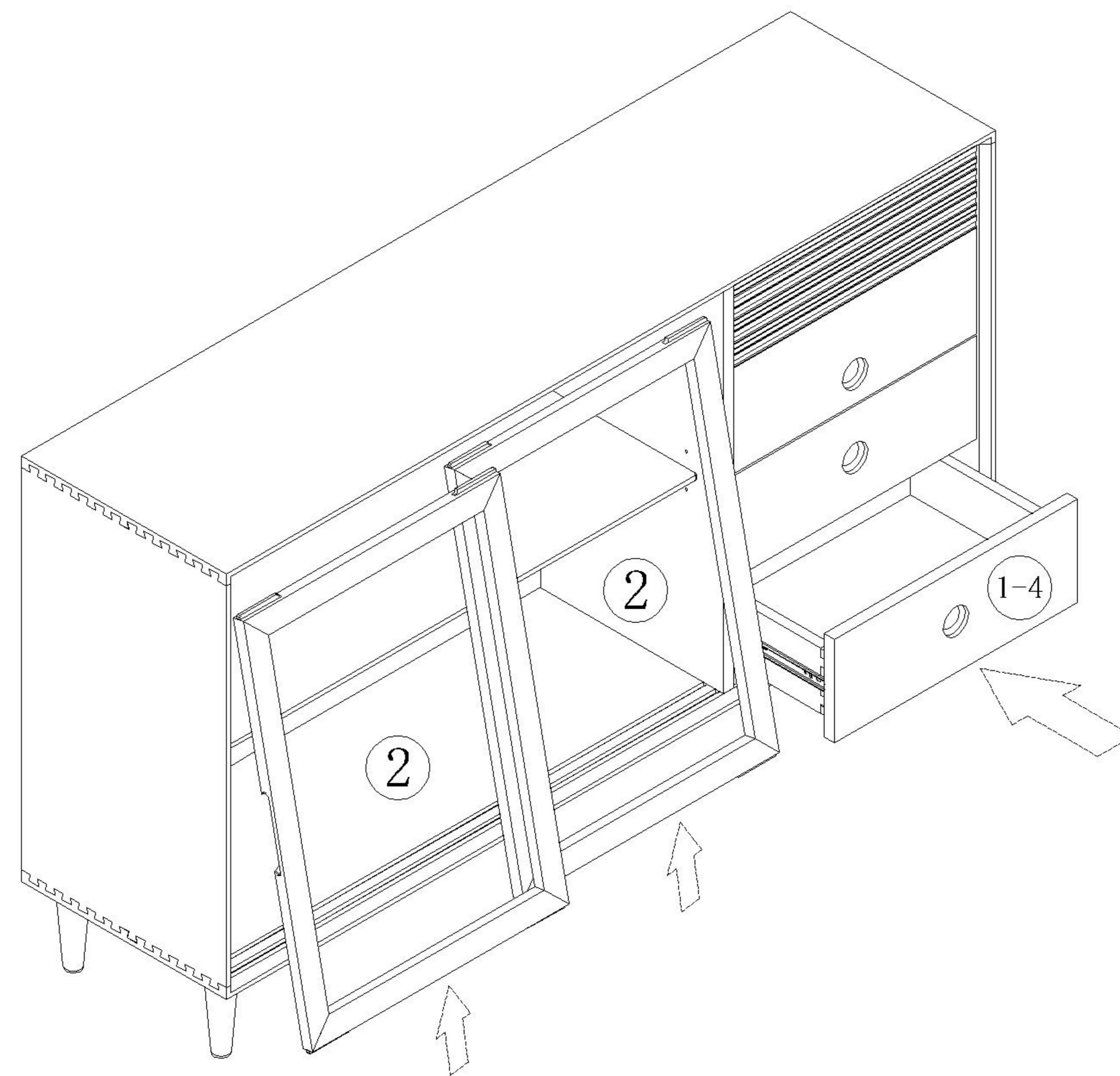
阀门开关(下压为开)
Valve switch
(press down to open)



注: 先将A与B拆下来
Note: remove a and B first



把抽屉轻轻完全抽出柜体后, 并拿出内盒
Gently and completely pull out the drawer
from the cabinet and take out the inner box

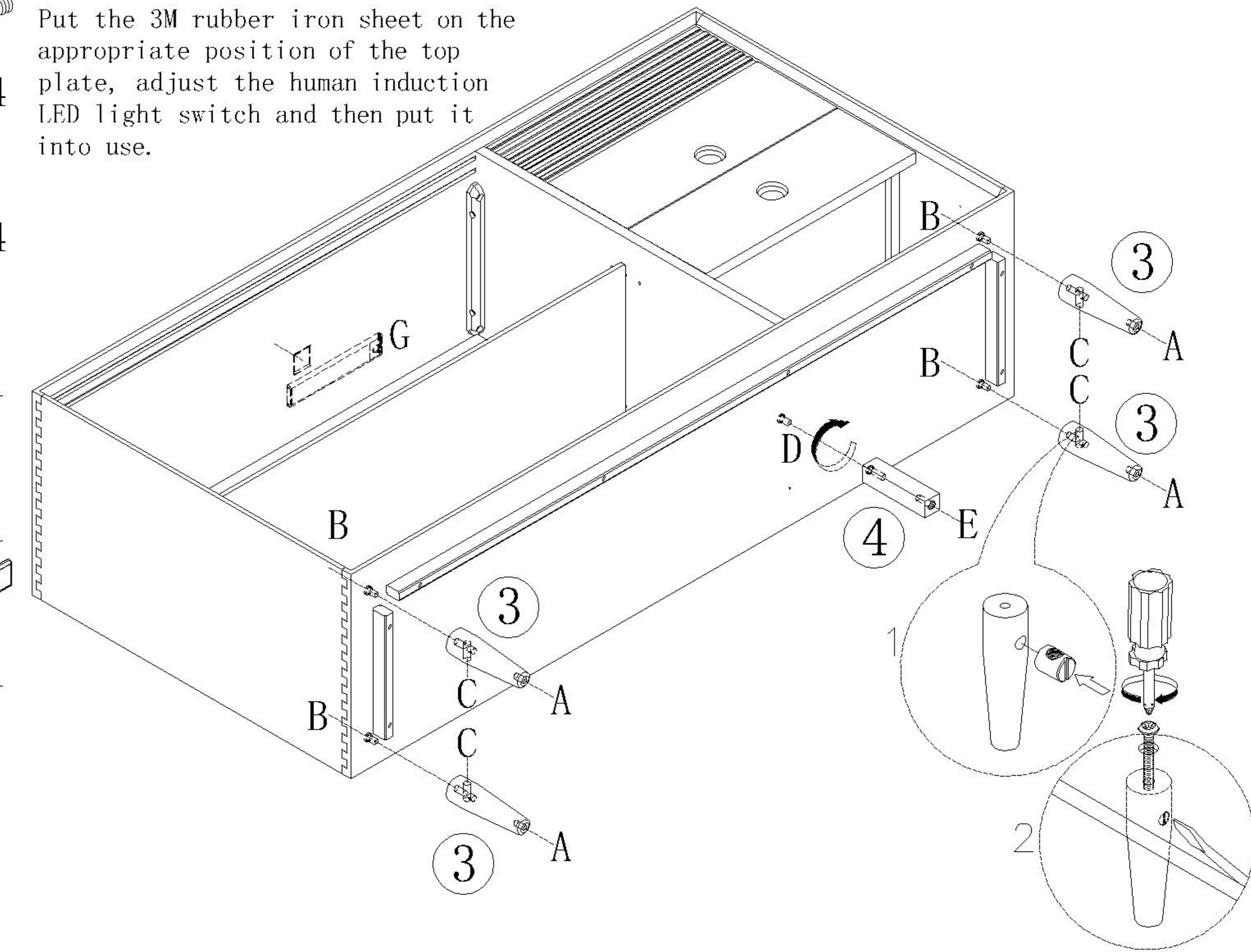


1

- (A)*4
- (B)*4
- (C)*4
- (D)*1
- (E)*1
- (G)*1

注意!五金G: 把3M胶铁片贴在面板的
适宜位置上, 把人体感应LED灯开关调
整好后放入即可使用。

Attention! Hardware G:
Put the 3M rubber iron sheet on the
appropriate position of the top
plate, adjust the human induction
LED light switch and then put it
into use.



2

3

4

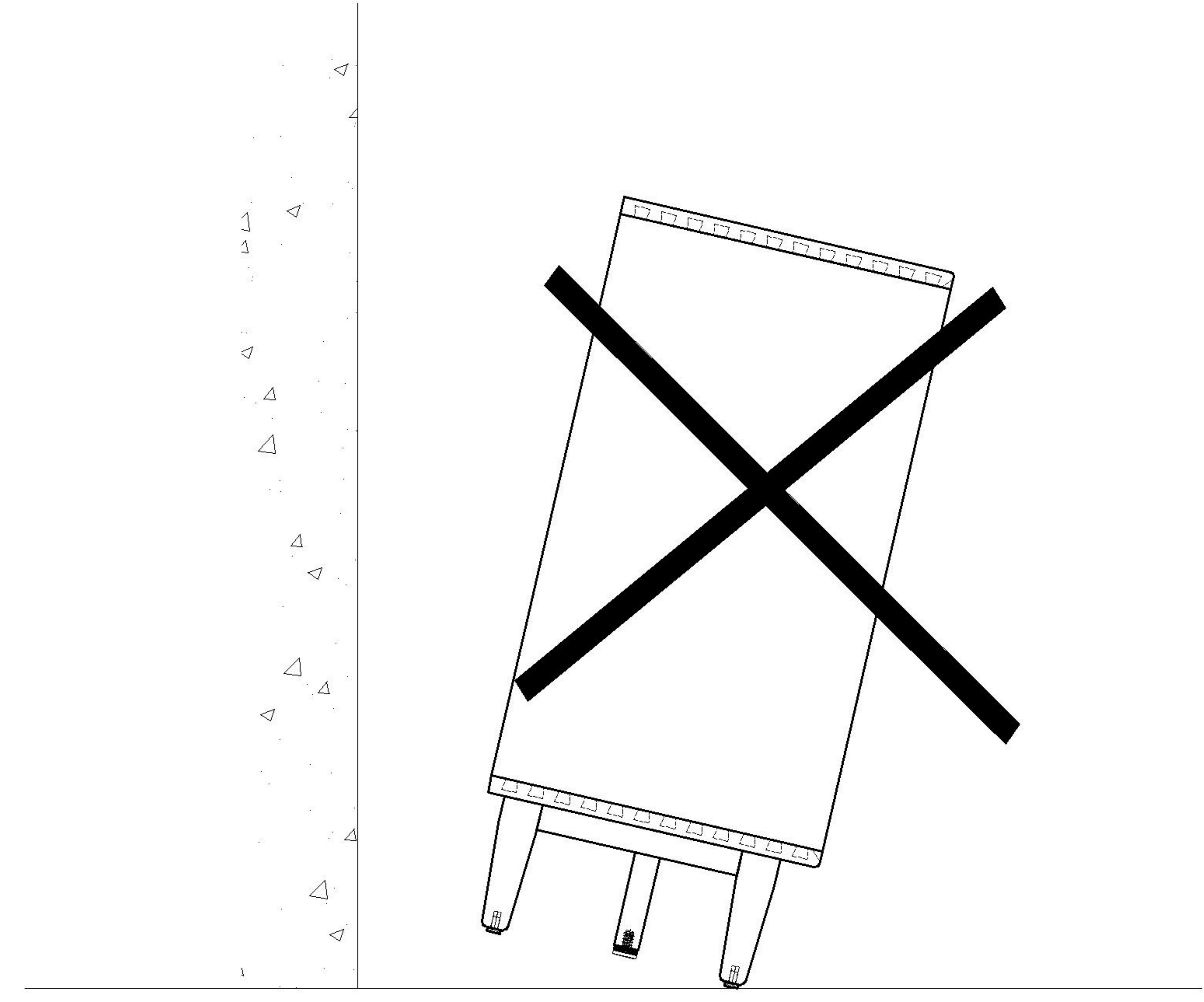
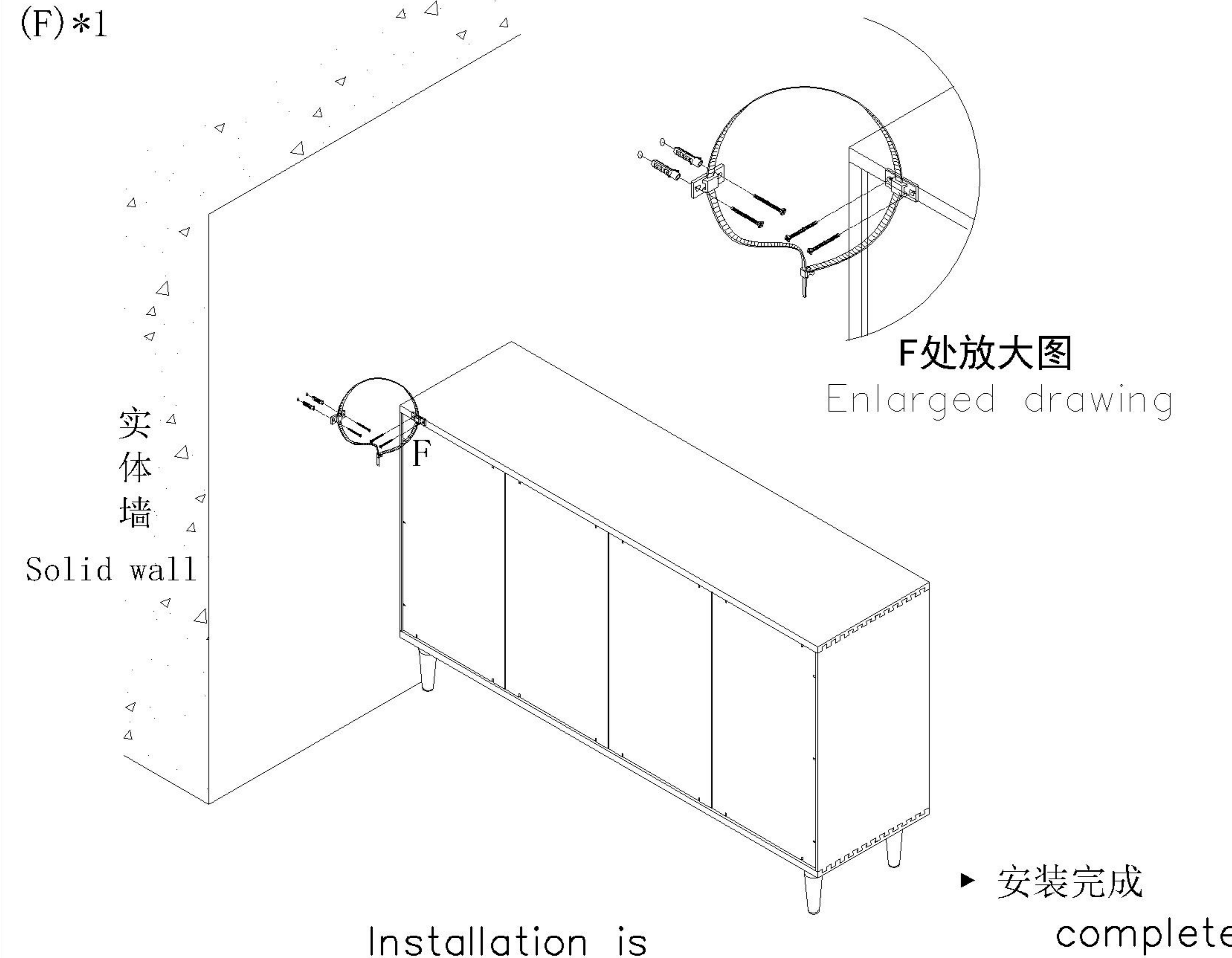
C01T-A(1.5M)

5

6

安装方法/
Installation method

(F)*1



分解图
Exploded view

