

LINSY 林氏家居

安装示意图/Assembly

产品名称 Model NO.	TBS039
产品规格 Specification	0.88米
尺寸组合 Combined size	880*850*820

成品部件 明细 Details of finished parts	编号 No	名称 name	部件尺寸 Component dimensions	数量 quantity
	1	沙发床座包 Sofa bed seat bag	铁架+布艺+木方+ 海绵+棕垫+五金 Iron frame+fabric+art+wooden square+ Sponge+foam+metal hardware	1
	2	靠枕 Headrest	布艺+白色枕芯 Fabric+white pillow core	1
	3	左扶手 Solid wood handrail	橡胶木+夹板+布艺 Rubber wood+plywood+fabric	1
	4	右扶手 Right armrest	橡胶木+夹板+布艺 Rubber wood+plywood+fabric	1
	5	横杆 cross bar	橡胶木 Rubber wood	2
	6			
	7			
	8			

配件表1 Accessories list 1

编号 No	名称 name	图示 figure	总数 total
A	说明书(含安装图) Mounting Instruction(with drawing)		1
B	木肖 Chinese zodiac tree		4
C	螺母 Nut		4
D	自攻螺丝5*50 Self tapping screw 5*50		4
E	全牙螺杆 Full tooth screw		4
F	半月牙 Semilunar tooth		4
G	开口扳手 Open end wrench		1
H			
I			
J			

安装人数
Installer
安装工具
Use tools



充电式手电钻
Rechargeable electric hand drill

或者
OR

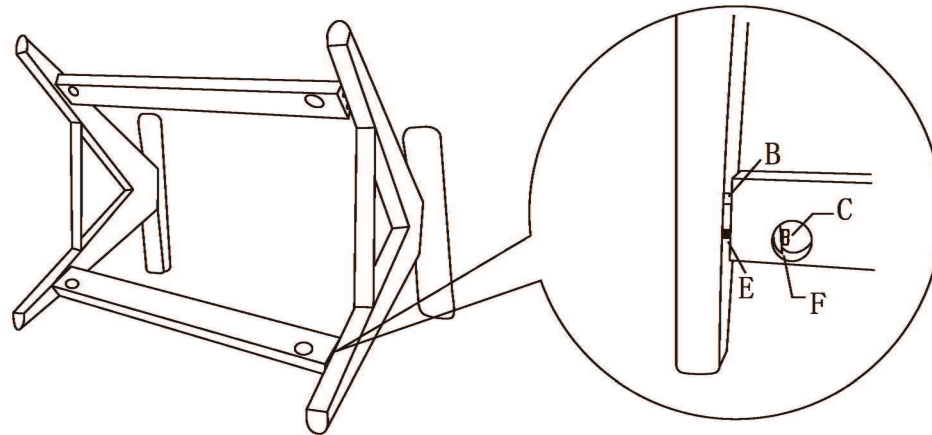


十字螺丝刀
Cross screwdriver

STEP 1: 安装实木框架

两条横杠分别安装在四个脚上面, 安装明细如图:

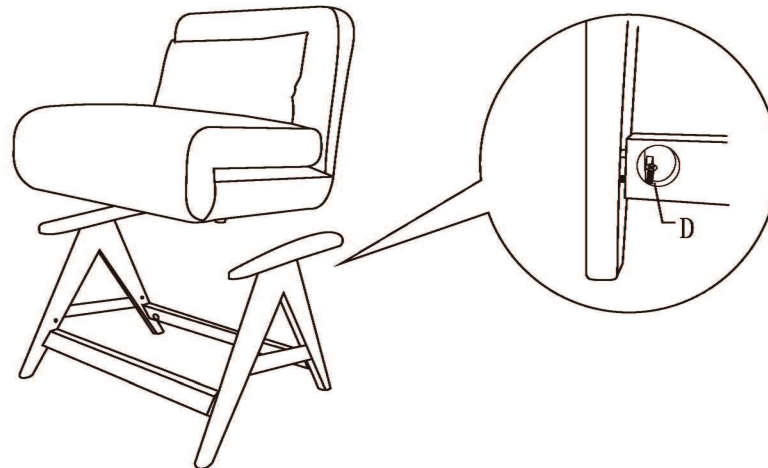
Install solid wood frame
Two horizontal bars are installed on each of the four feet, and the installation details are shown in the figure:



STEP 2: 安装实木和座包

座包底部有四个孔位贴, 自攻螺丝穿过实木预留孔位固定在座包孔位贴位置, 如下图:

Install solid wood and seat package
There are four hole stickers at the bottom of the seat package, and the self tapping screws are fixed at the position of the seat package hole stickers by passing through the reserved holes in solid wood, as shown in the following figure:



STEP 3:

