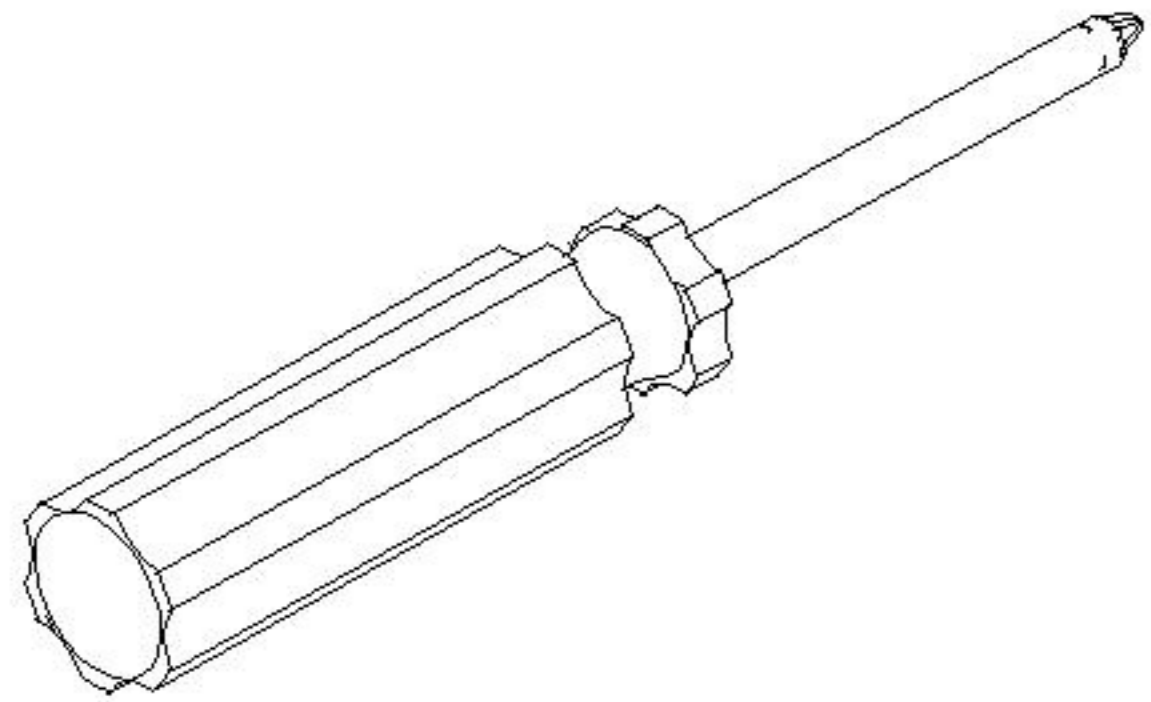
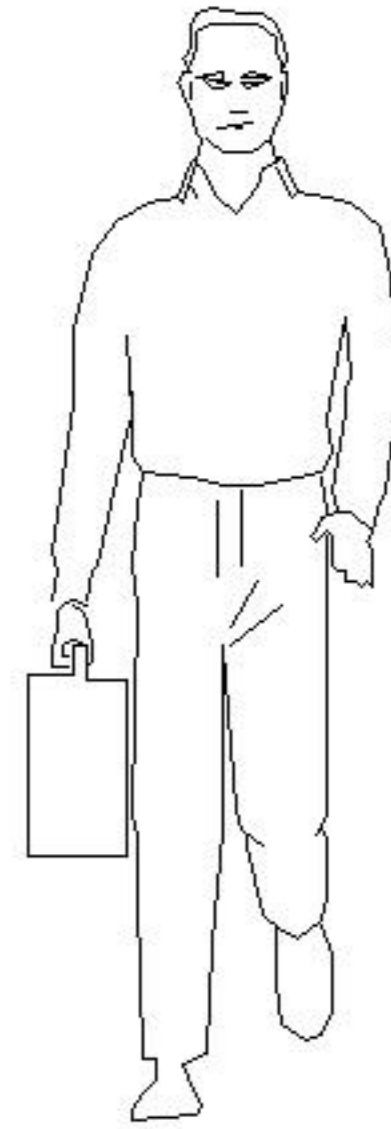




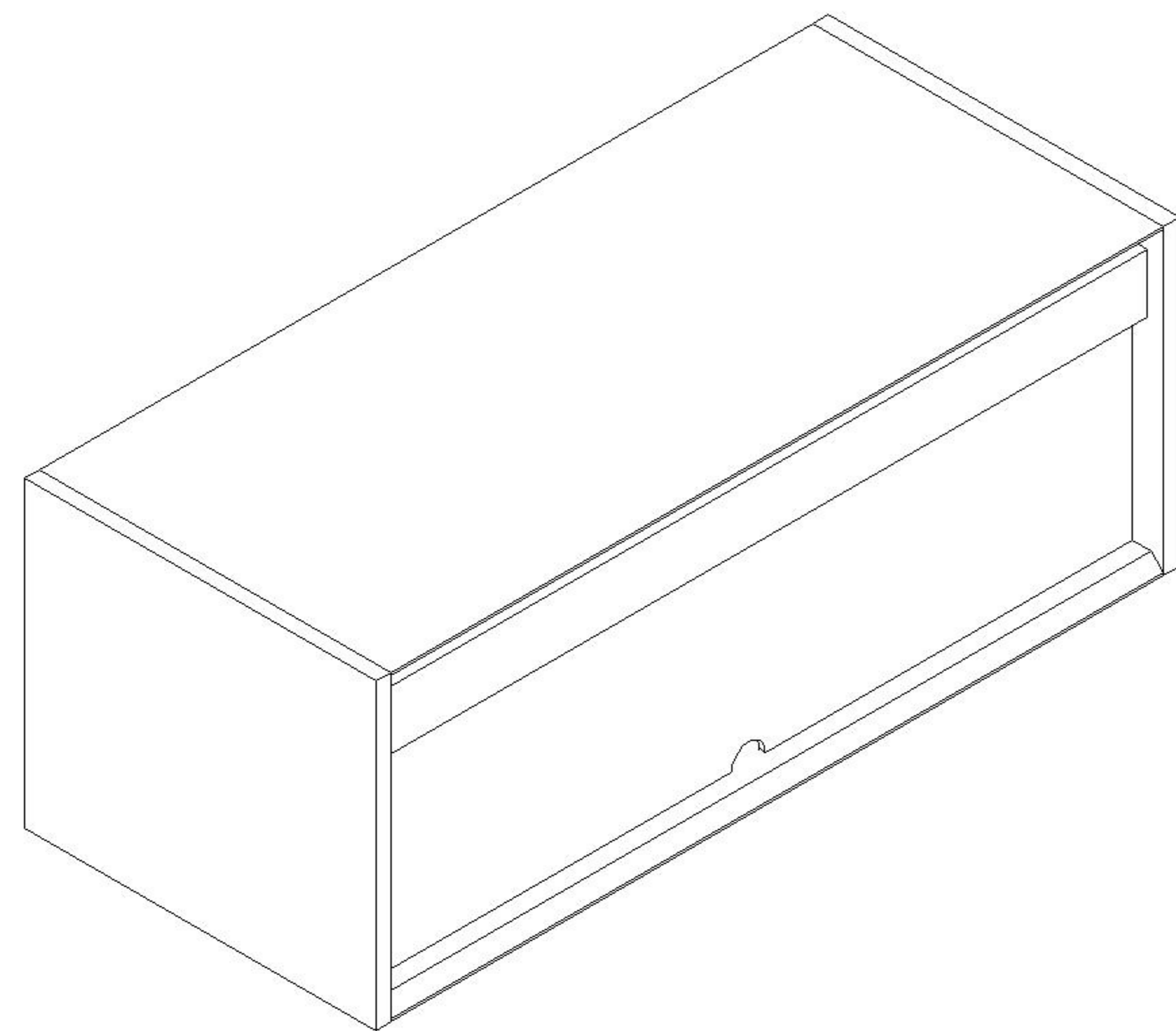
LINSY 林氏家居

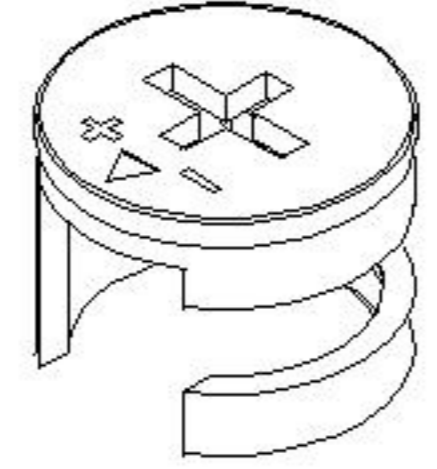
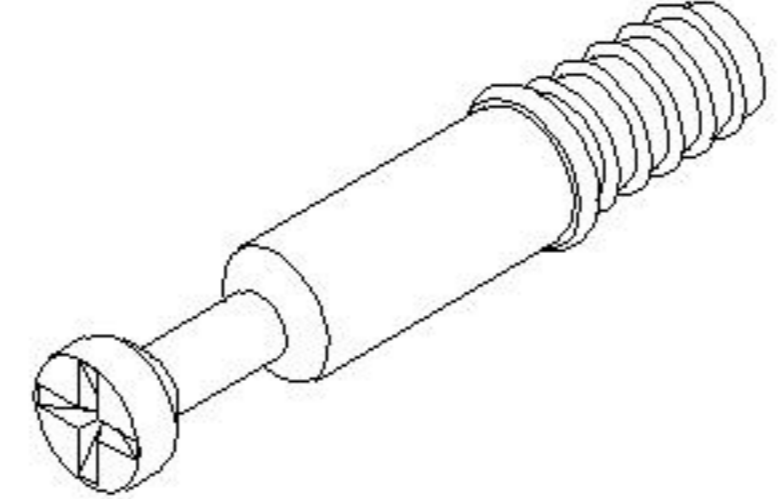
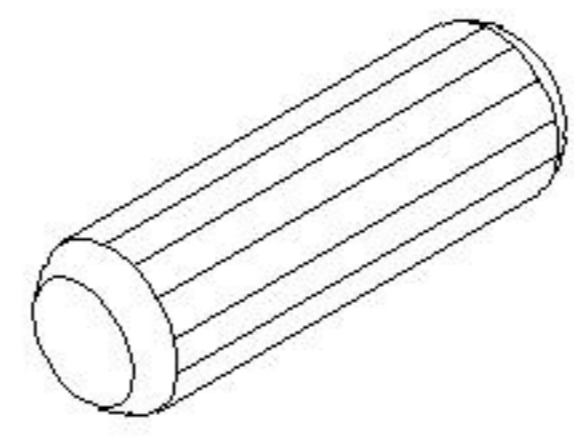
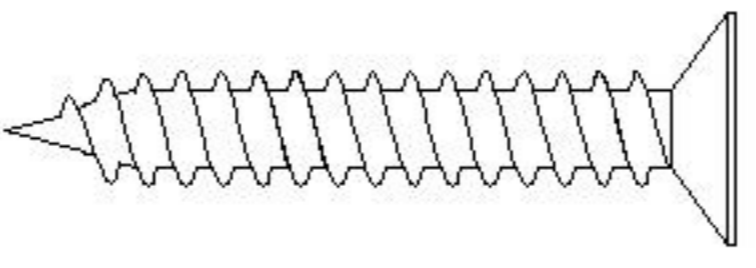
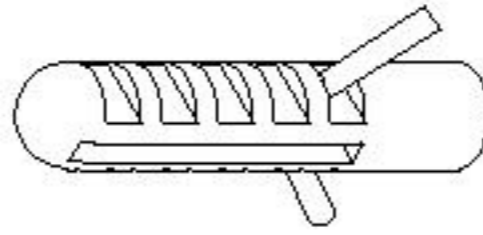

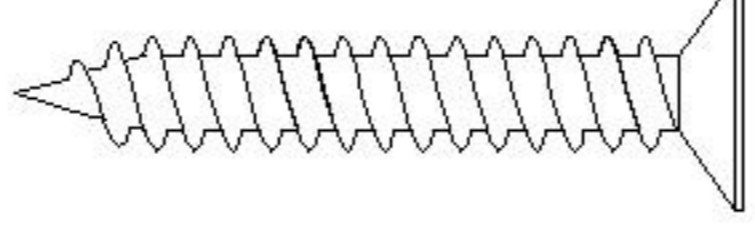
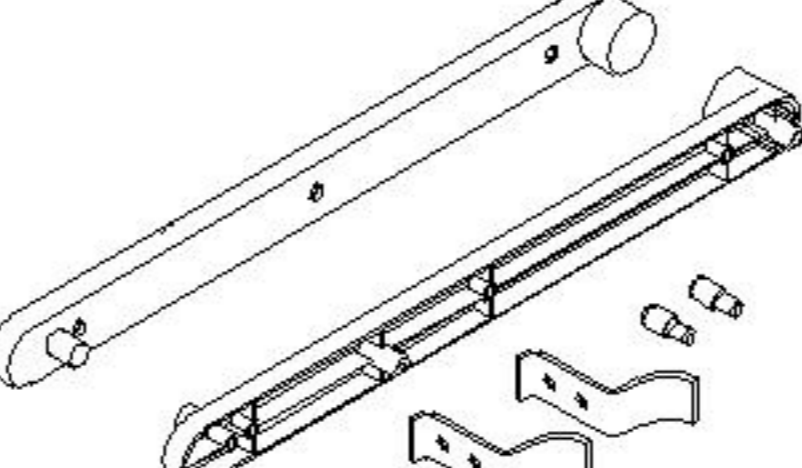
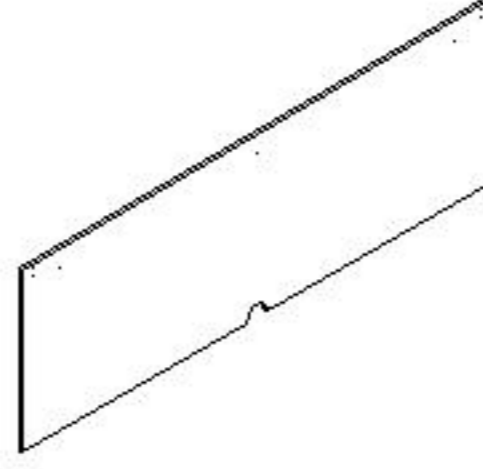
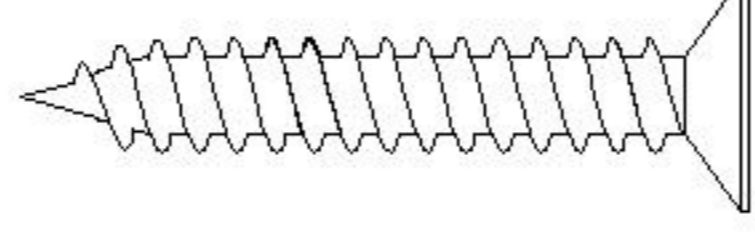
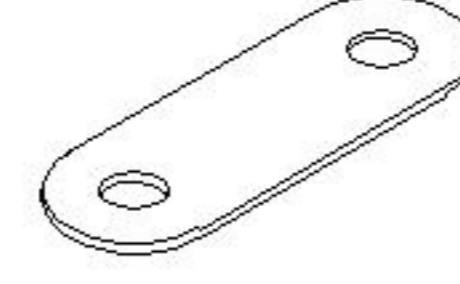
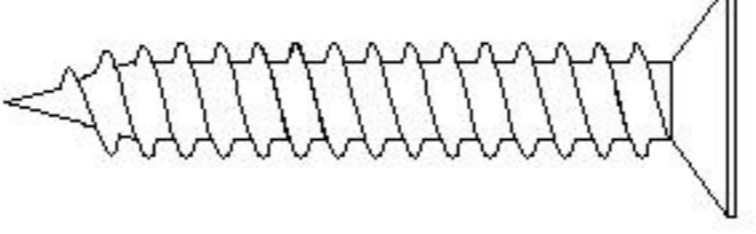
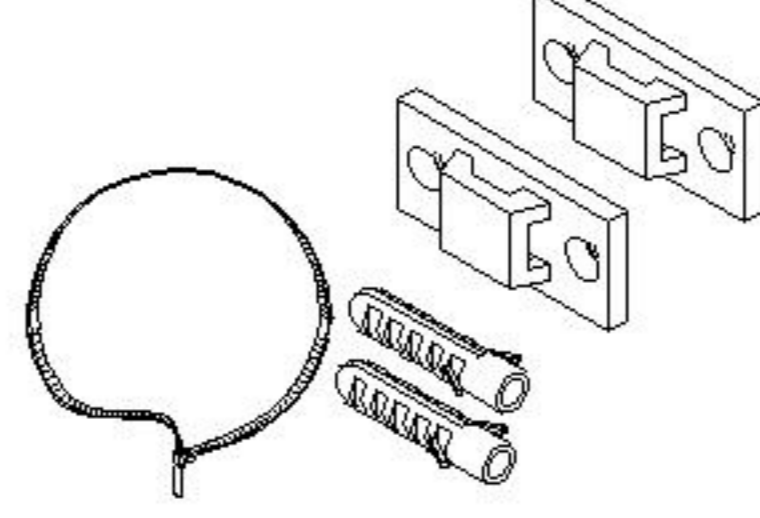
五金表/Hardware list

部件表/Parts List

安装示意图/Assembly Instruction

产品名称 Model NO.	TV2G-A 0.8m
产品规格 Specification	796*348*300mm
安装工具 Tool	安装人数 Installer
	
	
冲击钻 Percussion drill	胶锤 Rubber hammer

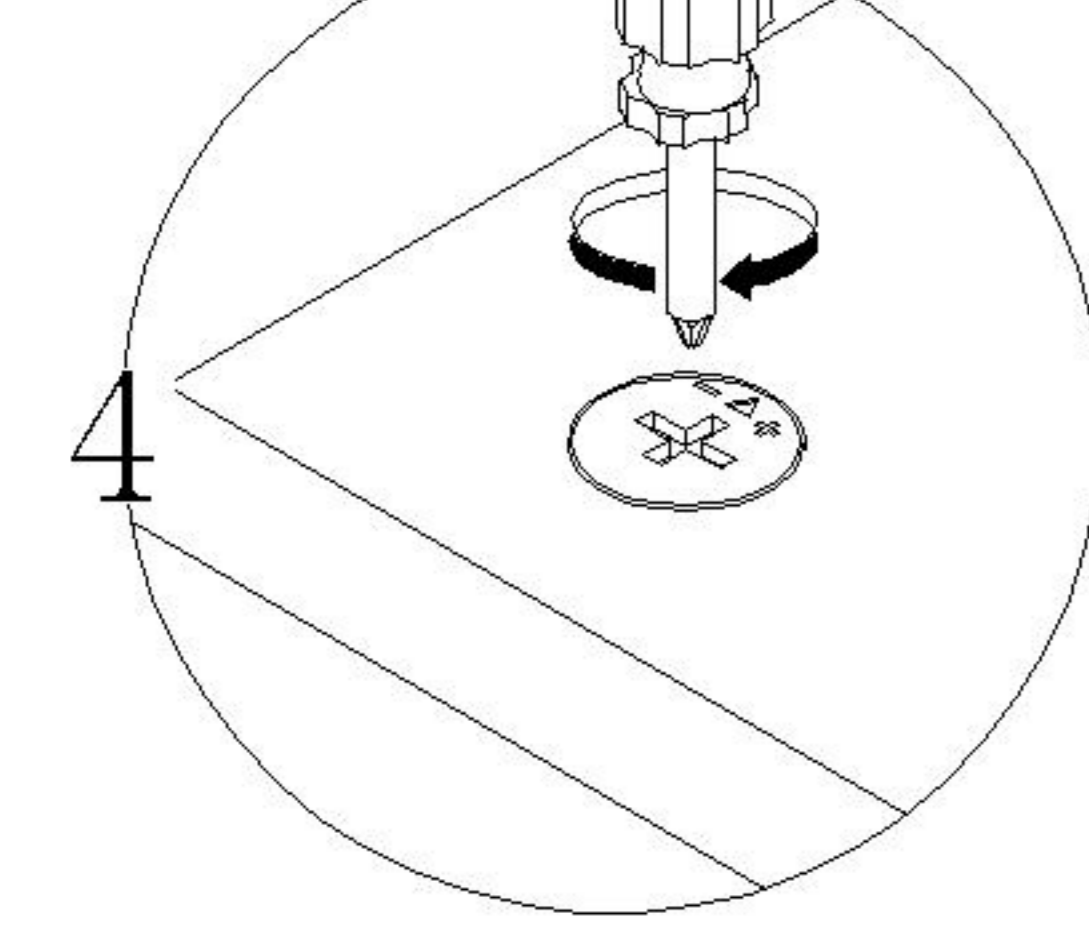
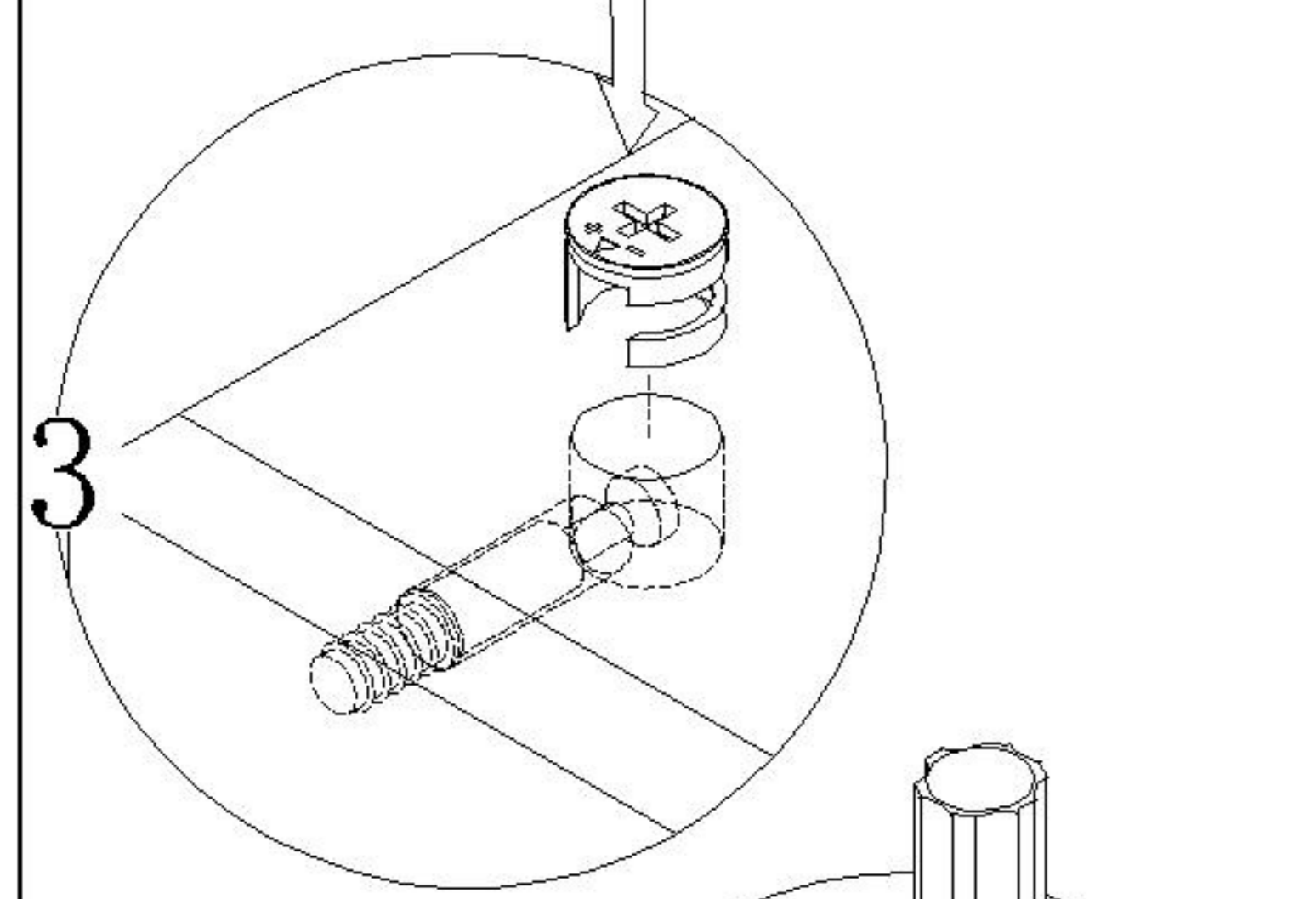
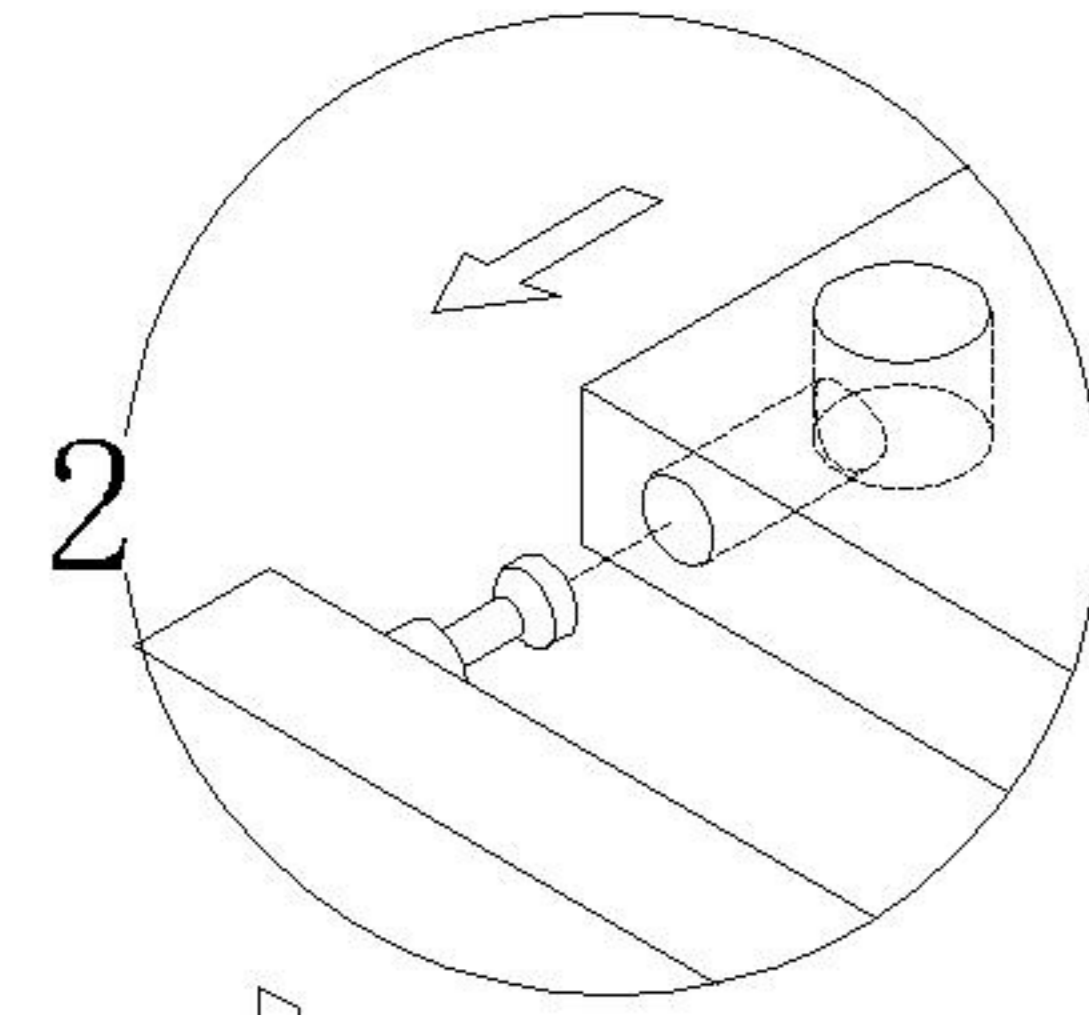
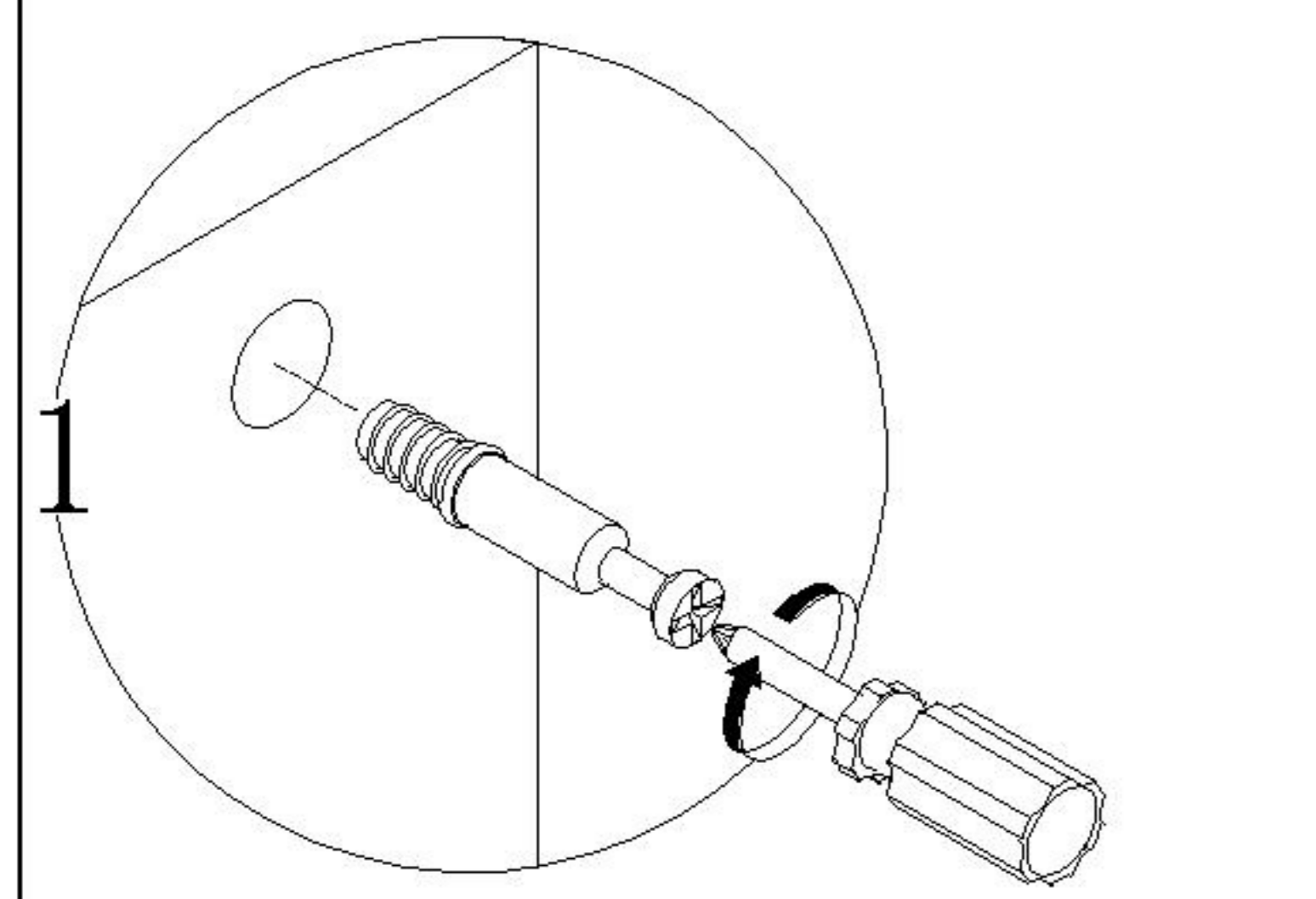


 (A)* 17 大三合一锁饼(15mm) Three-in-one large lock	 (B)* 17 二合一螺杆(35mm) 2-in-1-screw	 (C)* 8 木榫Ø8x30mm wood tenon	 (D)* 3 自攻螺丝M4x25mm Self-tapping screw
 (E)* 3 膨胀胶粒 Expanded colloidal particle	 (F)* 3 镜钉 Mirror nail	 (G)* 14 自攻螺丝M4x20mm Self-tapping screw	 (H)* 1 隐藏两节导轨 Hide two guide rails
 (I)* 1 门板亚克力 Door panel acrylic	 (J)* 3 自攻螺丝M4x40mm Self-tapping screw	 (K)* 2 连接铁片 Connecting iron sheet	 (L)* 4 自攻螺丝M3.5x12mm Self-tapping screw
 (M)* 1 家具防倒器-白色 Anti-fall device			

编号NO.	名称Name	规格 (mm) Specification	数量QTY	材质Material
①	面底板Bottom board	766*348*15	2	三胺板Melamine
②	背板Back board	766*270*15	1	三胺板Melamine
③	右侧板Side board(R)	348*300*15	1	三胺板Melamine
④	左侧板Side board(L)	348*300*15	1	三胺板Melamine
⑤	饰条Decorative strip	762*58*15	1	三胺板Melamine
⑥	挂条Hanging board	762*58*15	2	三胺板Melamine

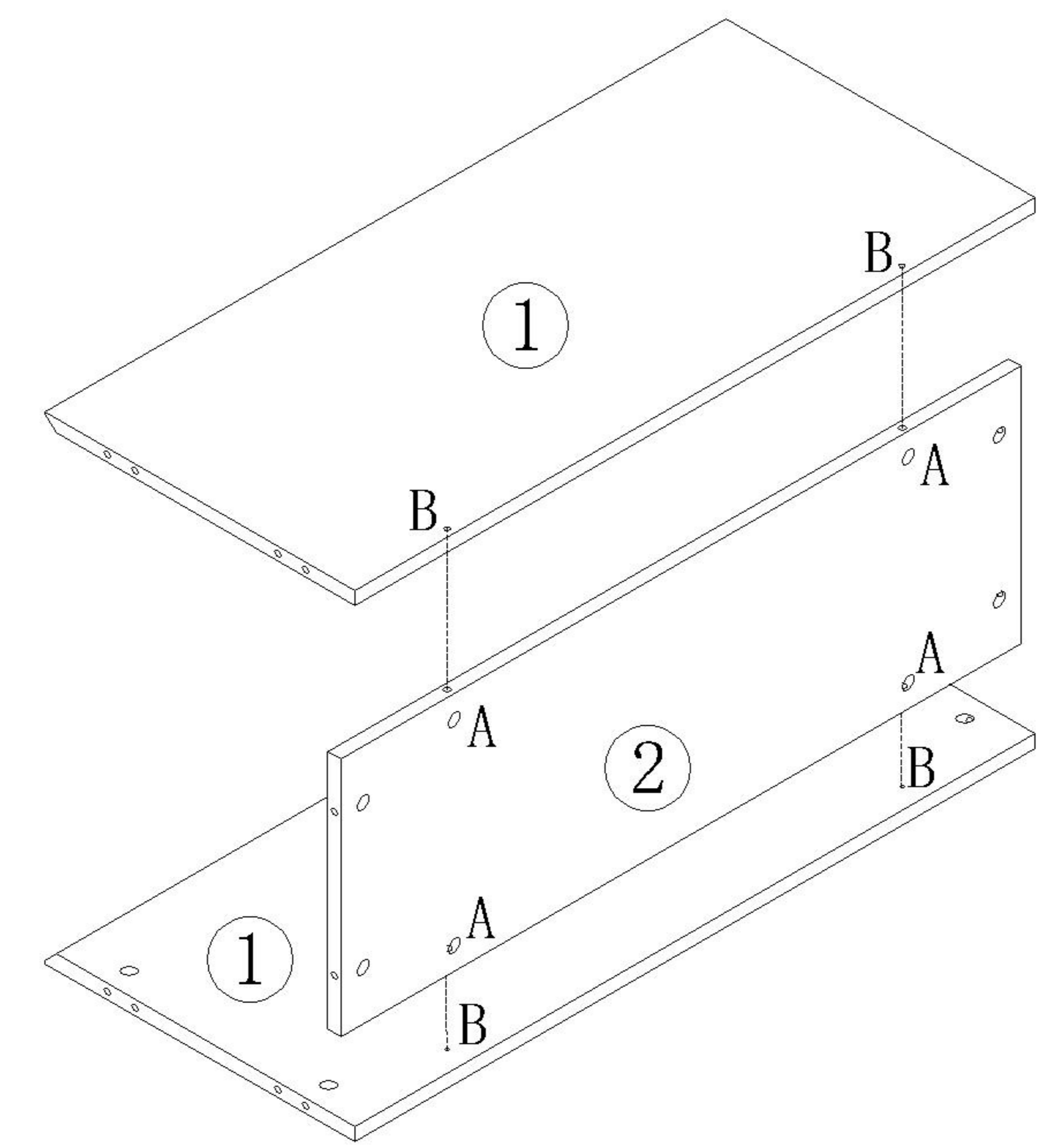
TV2G-A 0.8m

安装方法/
Installation method

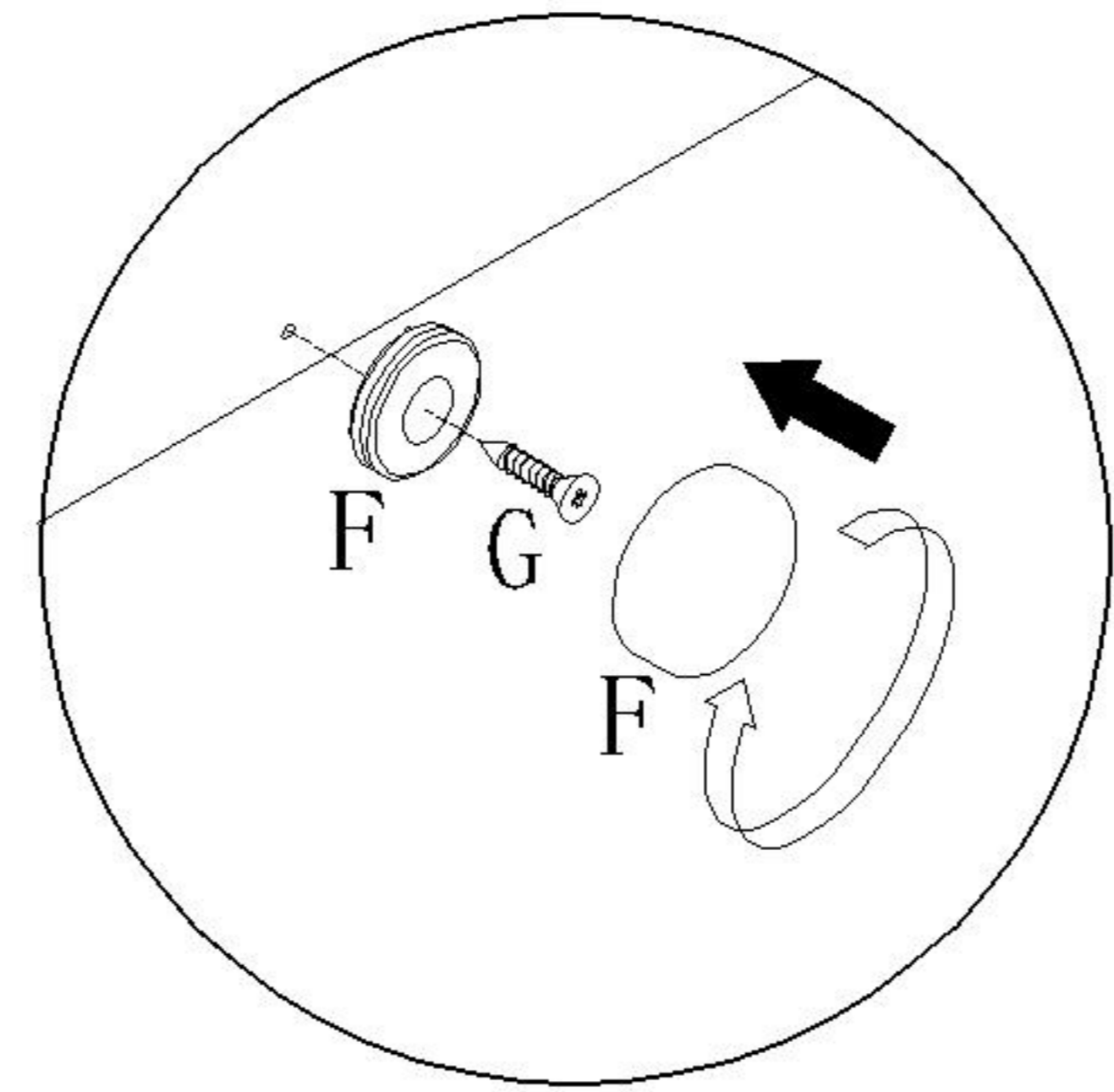
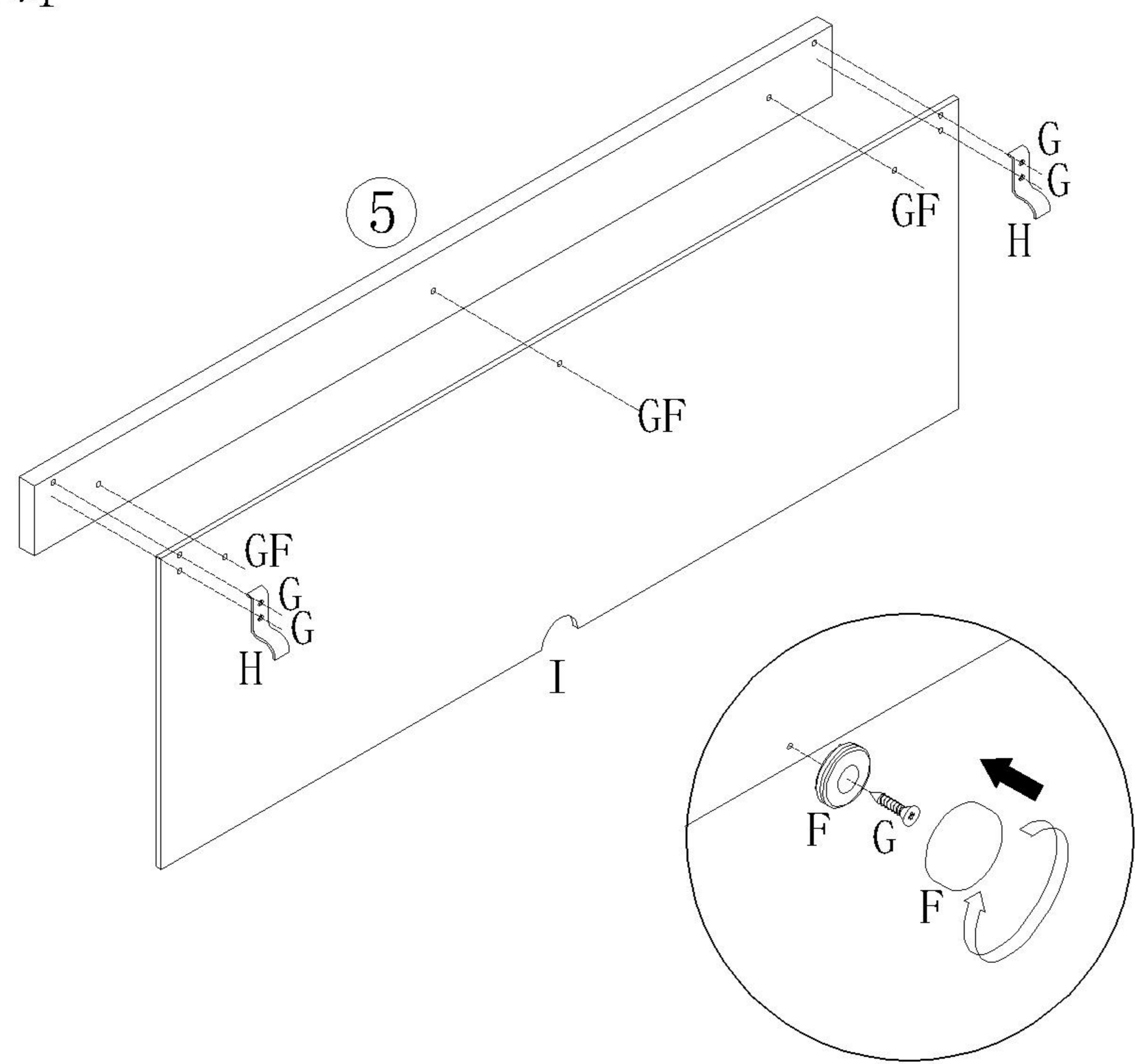


大二合一
two-in-one

- (A)*4
- (B)*4

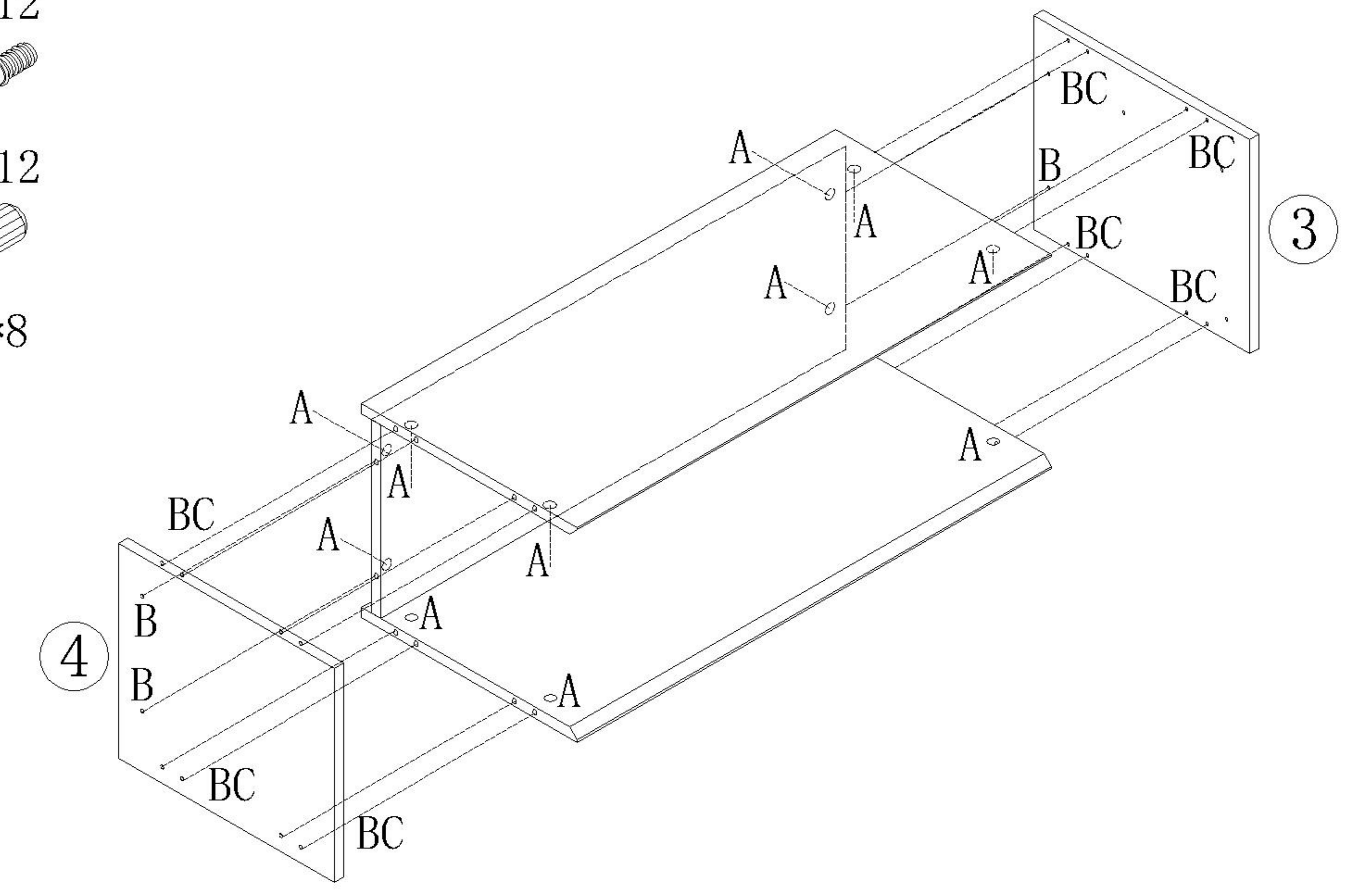


- (G)*7 (I)*1
- (H)*2
- (F)*3



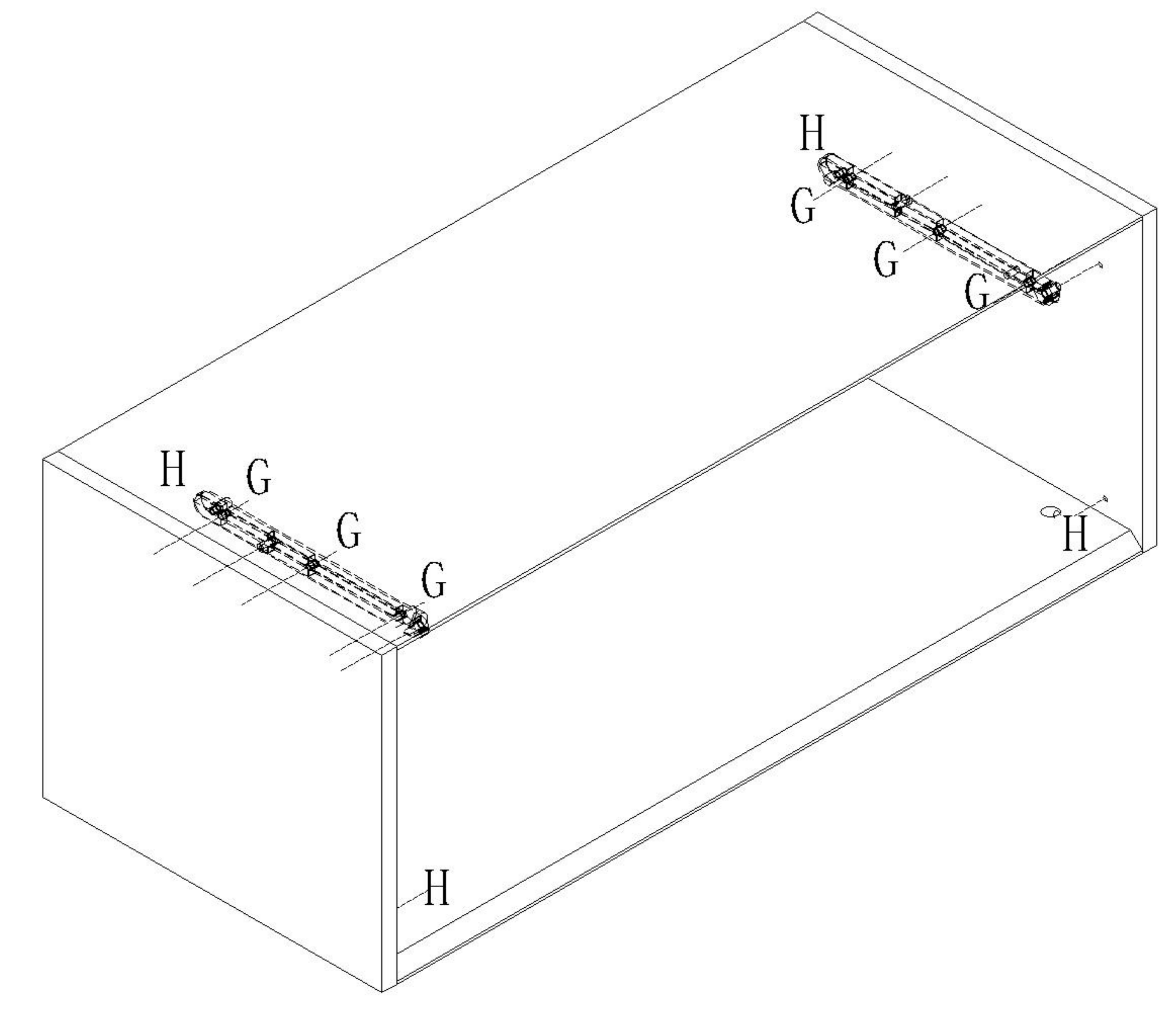
1

- (A)*12
- (B)*12
- (C)*8



3

- (G)*6
- (H)*2
- (H)*2

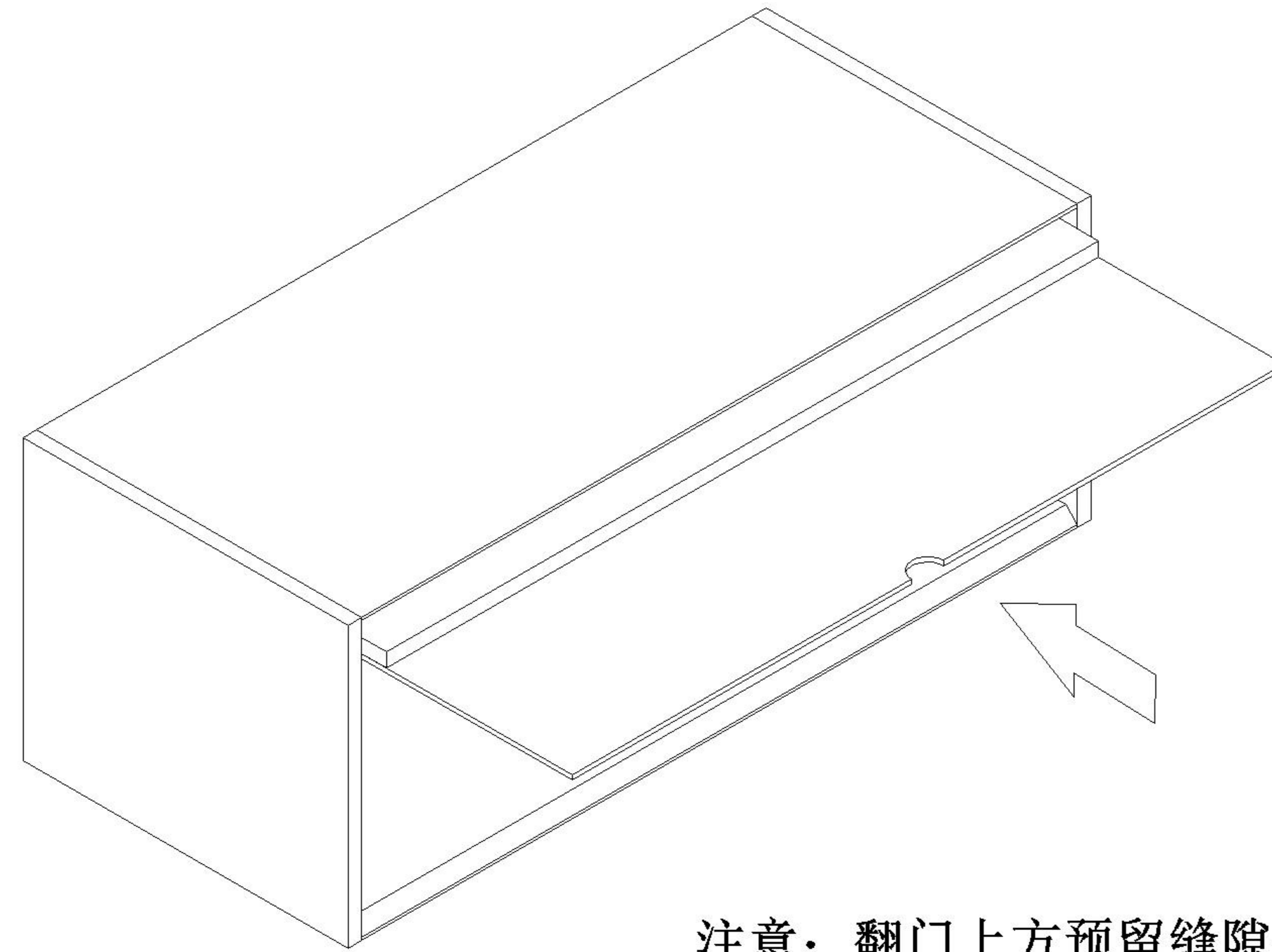


2

4

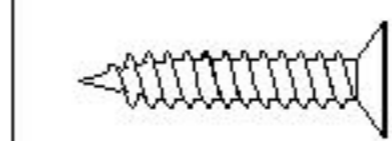
TV2G-A 0.8m

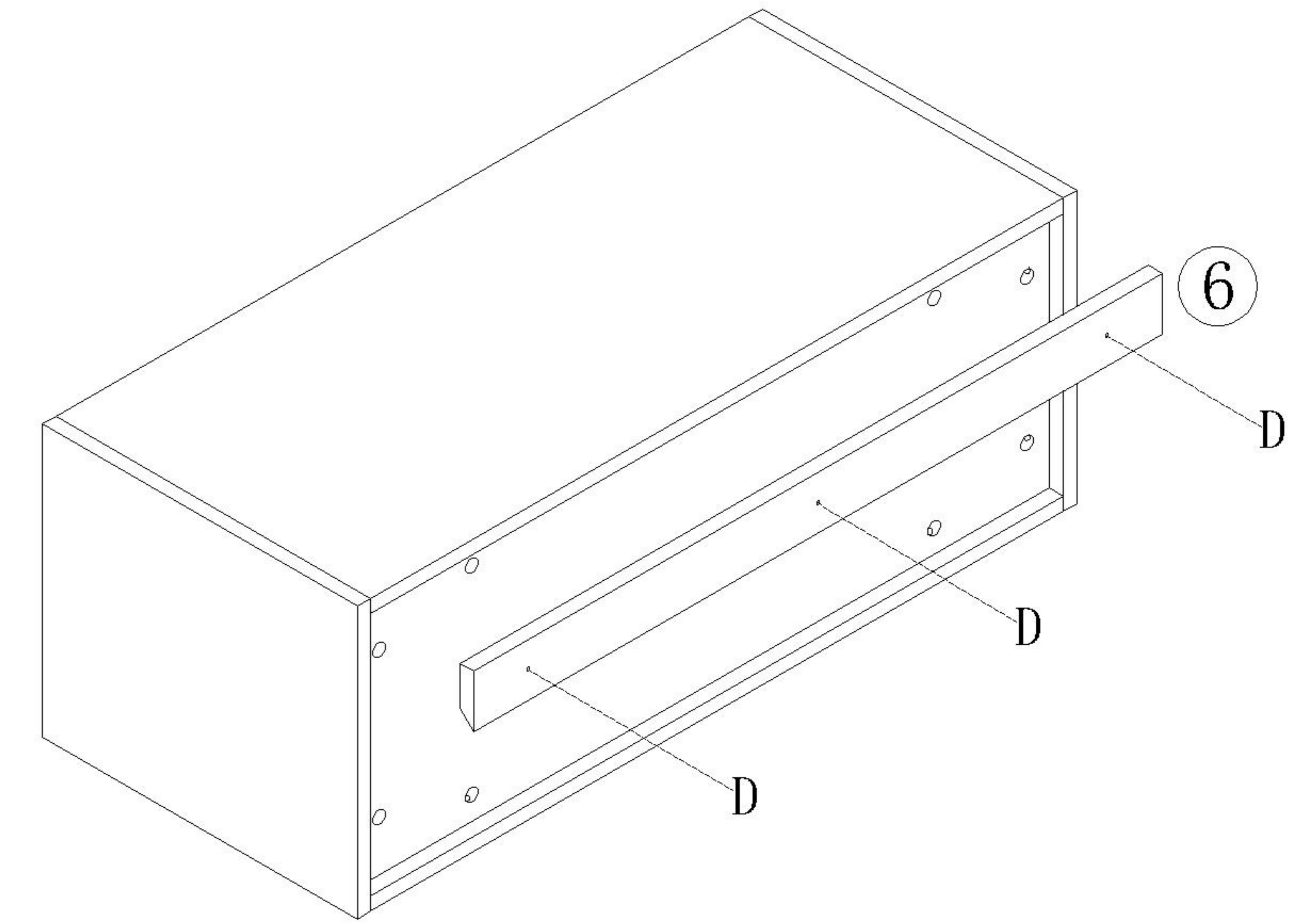
安装方法/
Installation method



注意：翻门上方预留缝隙是设计用于翻门转动的空间，小心夹手，
 Note: The reserved gap above the door is designed to turn the door, be careful not to pinch your hands.

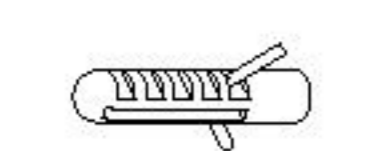
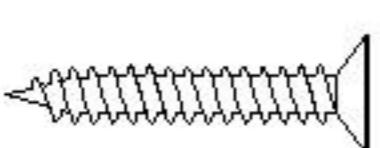
5

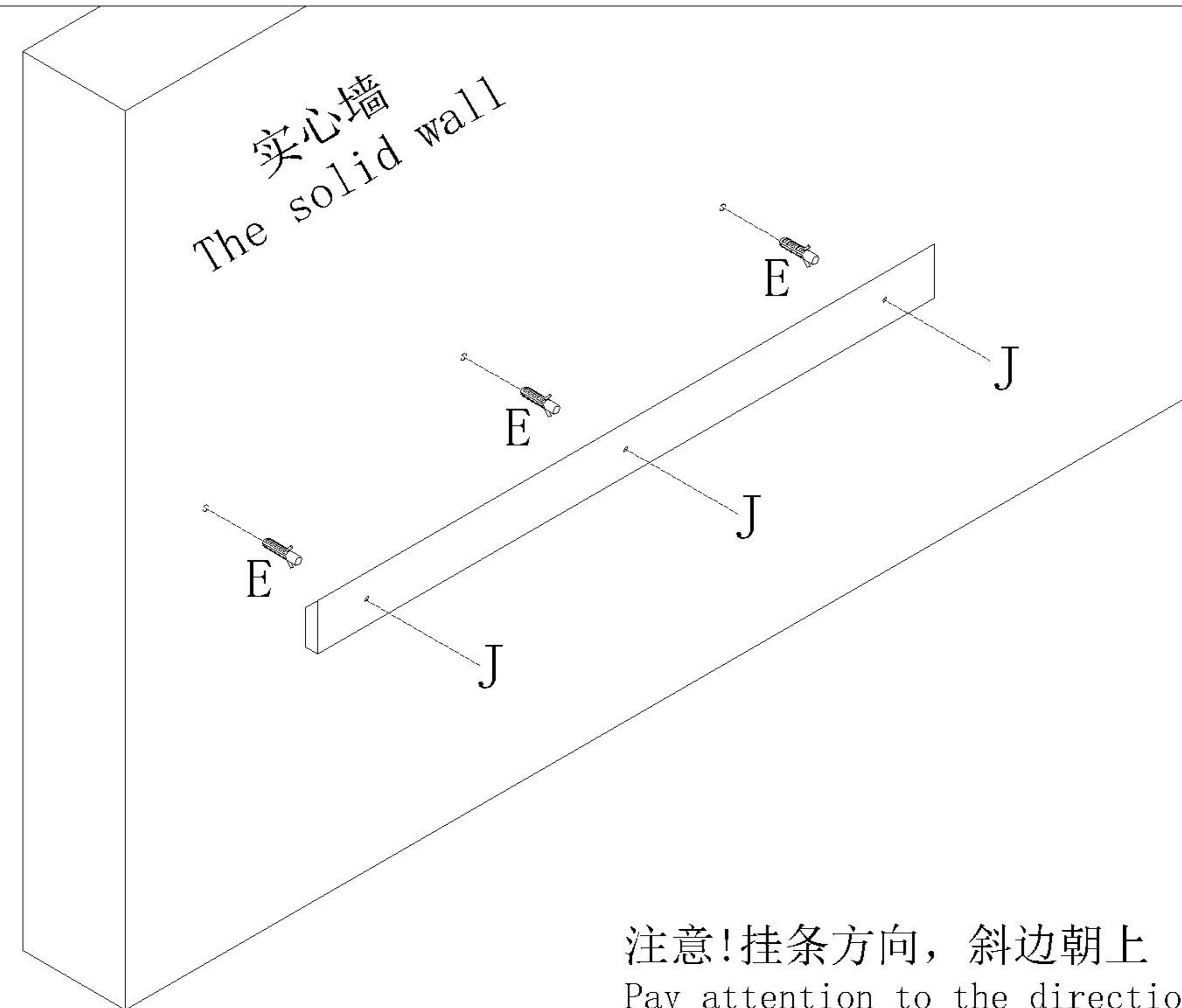

 (D)*3



注意！
 挂条方向，斜边朝下
 Pay attention to the direction of the hanging plate, with the beveled edge facing downward

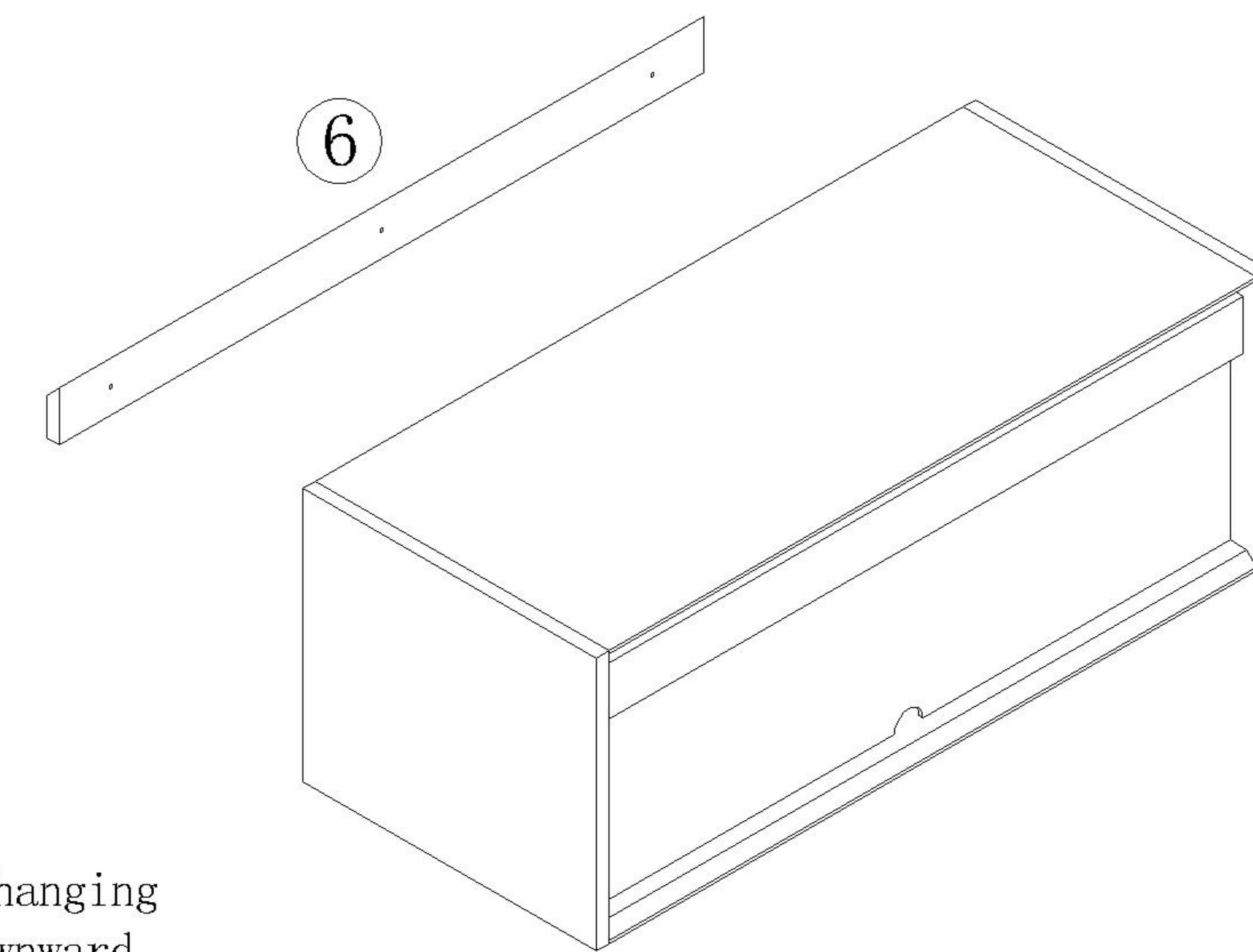
6


 (E)*3

 (J)*3



注意！挂条方向，斜边朝上
 Pay attention to the direction of the hanging plate, with the beveled edge facing downward

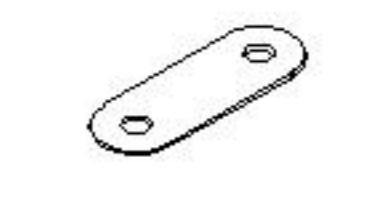
注意：实心墙厚度应不少于120mm，谨防打穿
 Note: The thickness of the solid wall should not be less than 120mm to prevent penetration



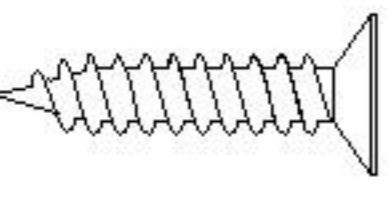
7

TV2G-A 0.8m

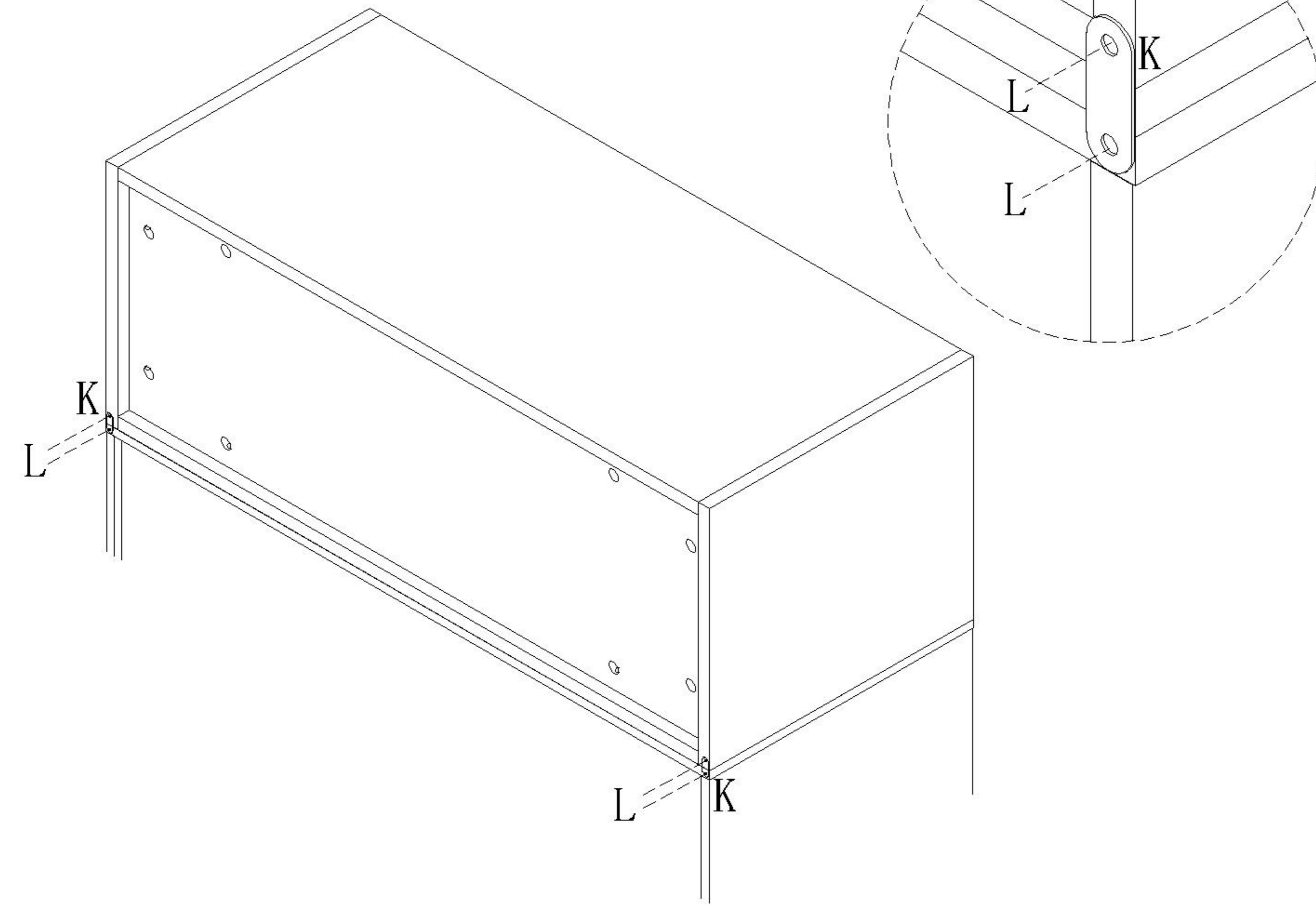
安装方法/
Installation method



(K)*2



(L)*4



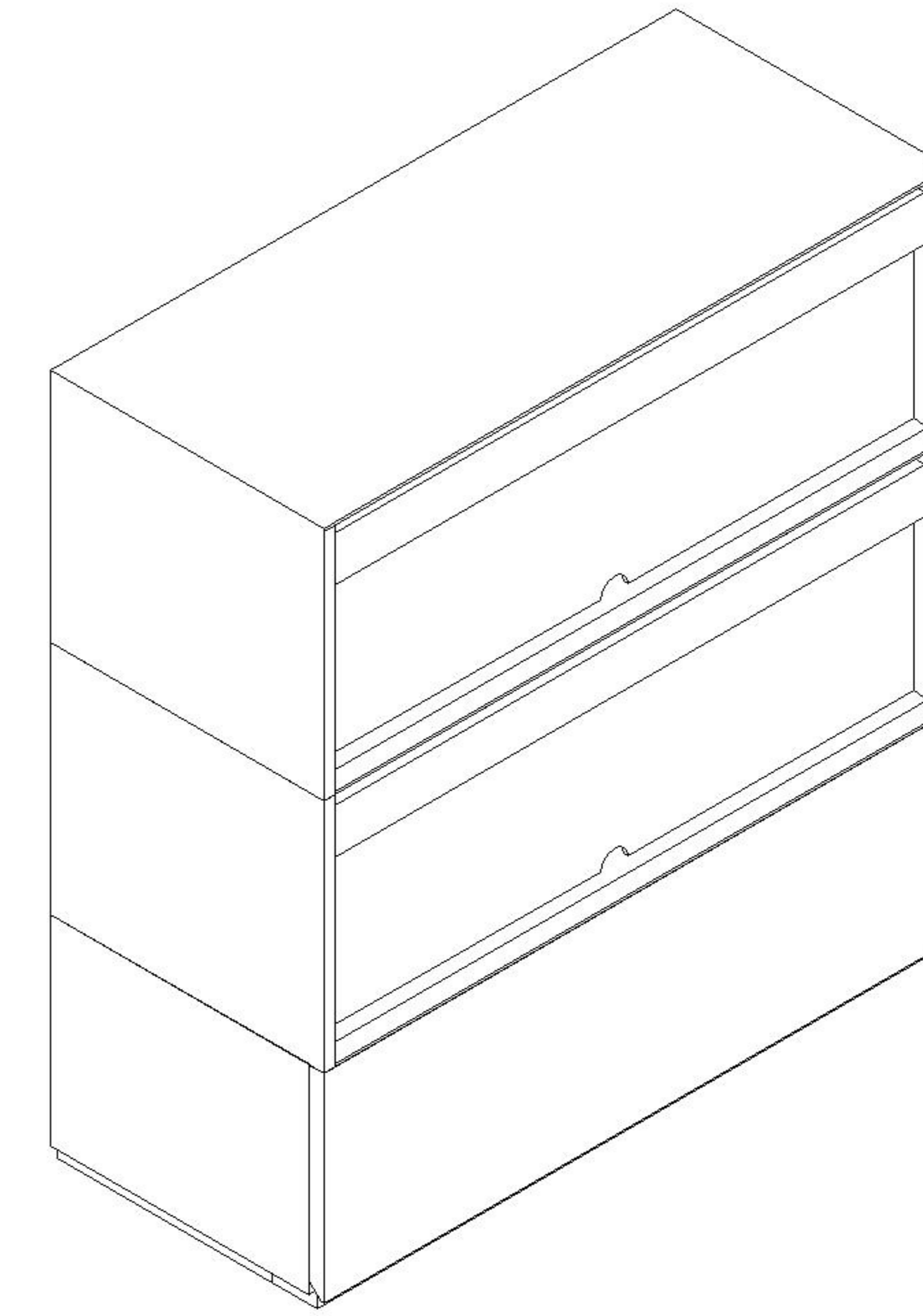
如购买下柜用五金KL锁紧

If purchasing the hardware KL for locking the lower cabinet

8

TV5E-A 翻门斗柜0.8m

TV5E-A flip door bucket cabinet 0.8m



购买此搭配需安装防倒器
To purchase this combination, an anti fall device needs to be installed

规格specifications:798*349*884mm

9

(M)*1

实体墙
Solid wall

