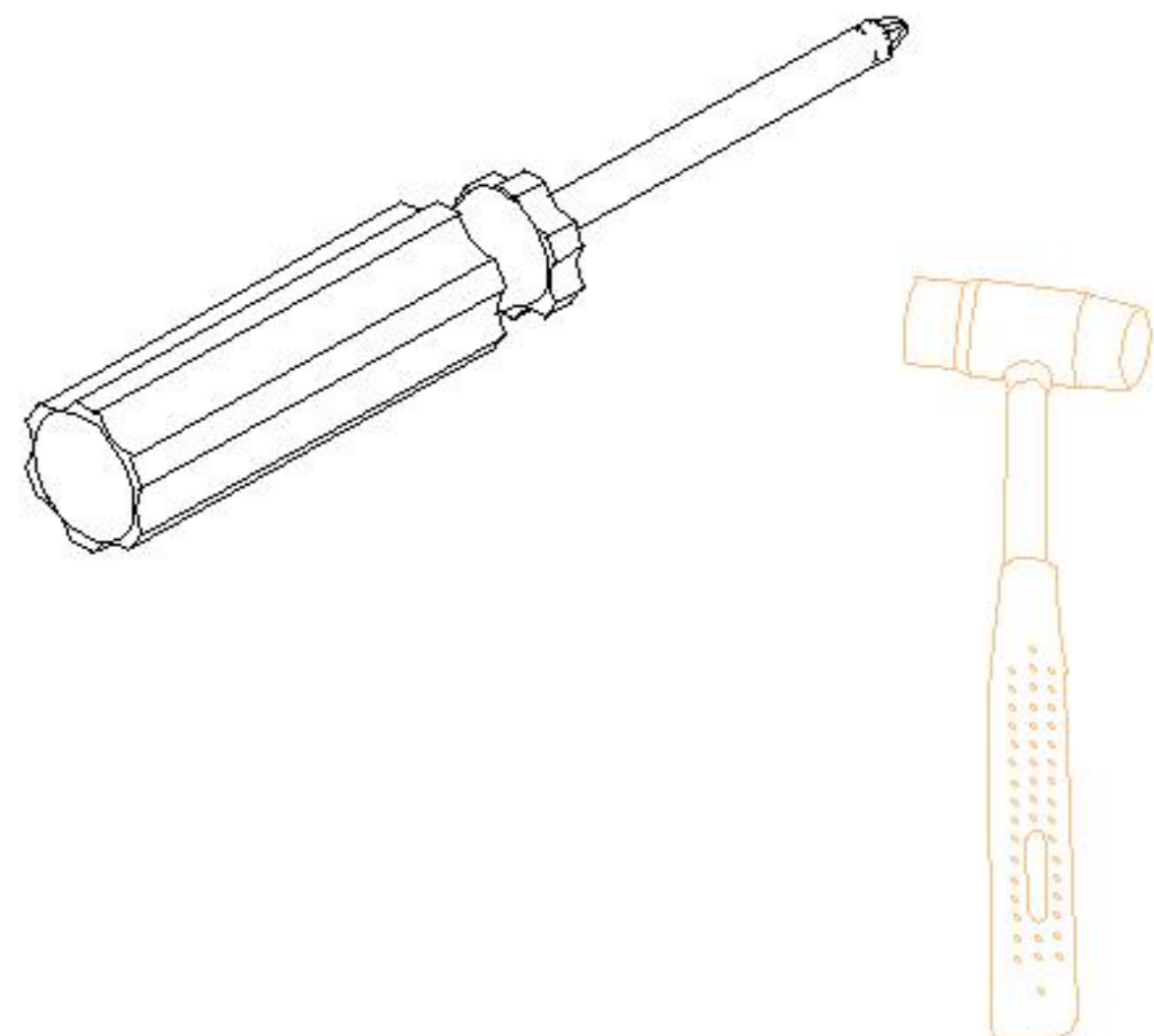
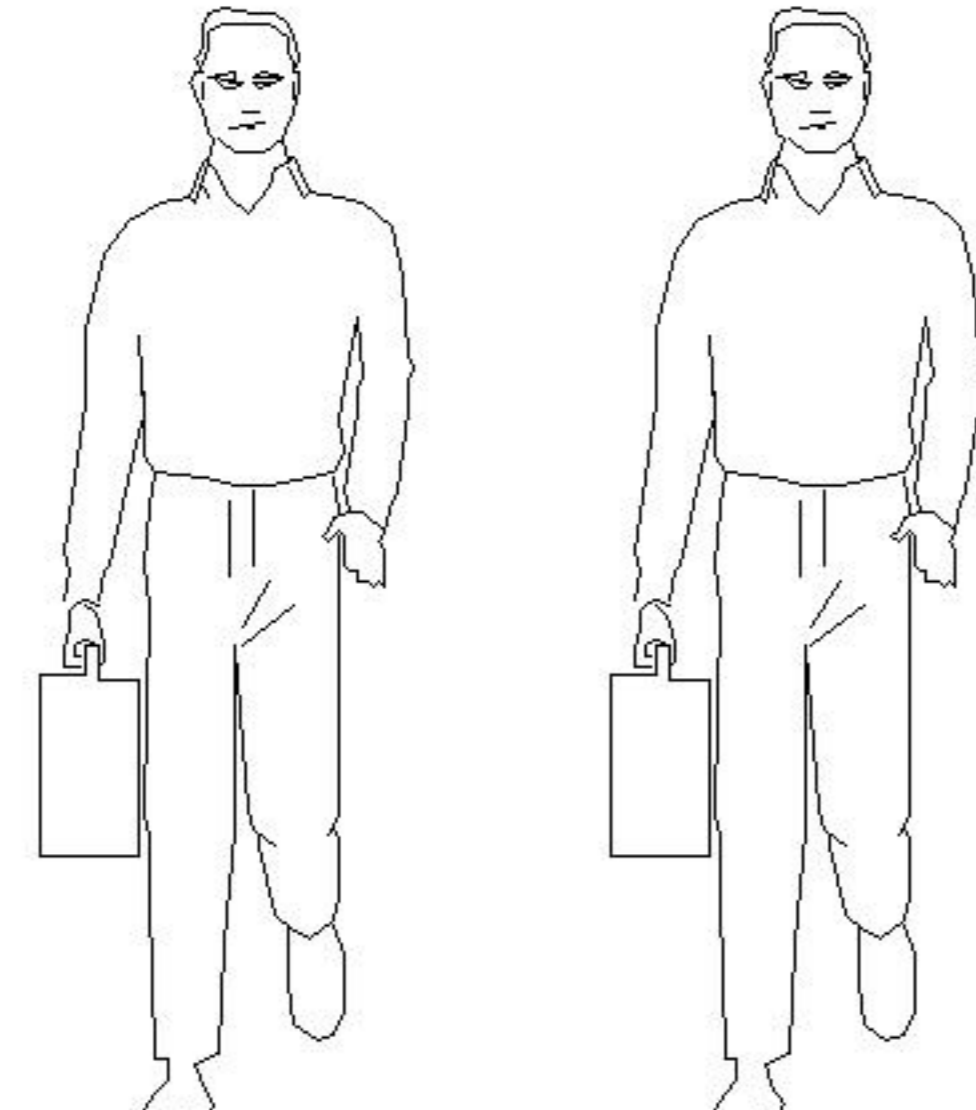
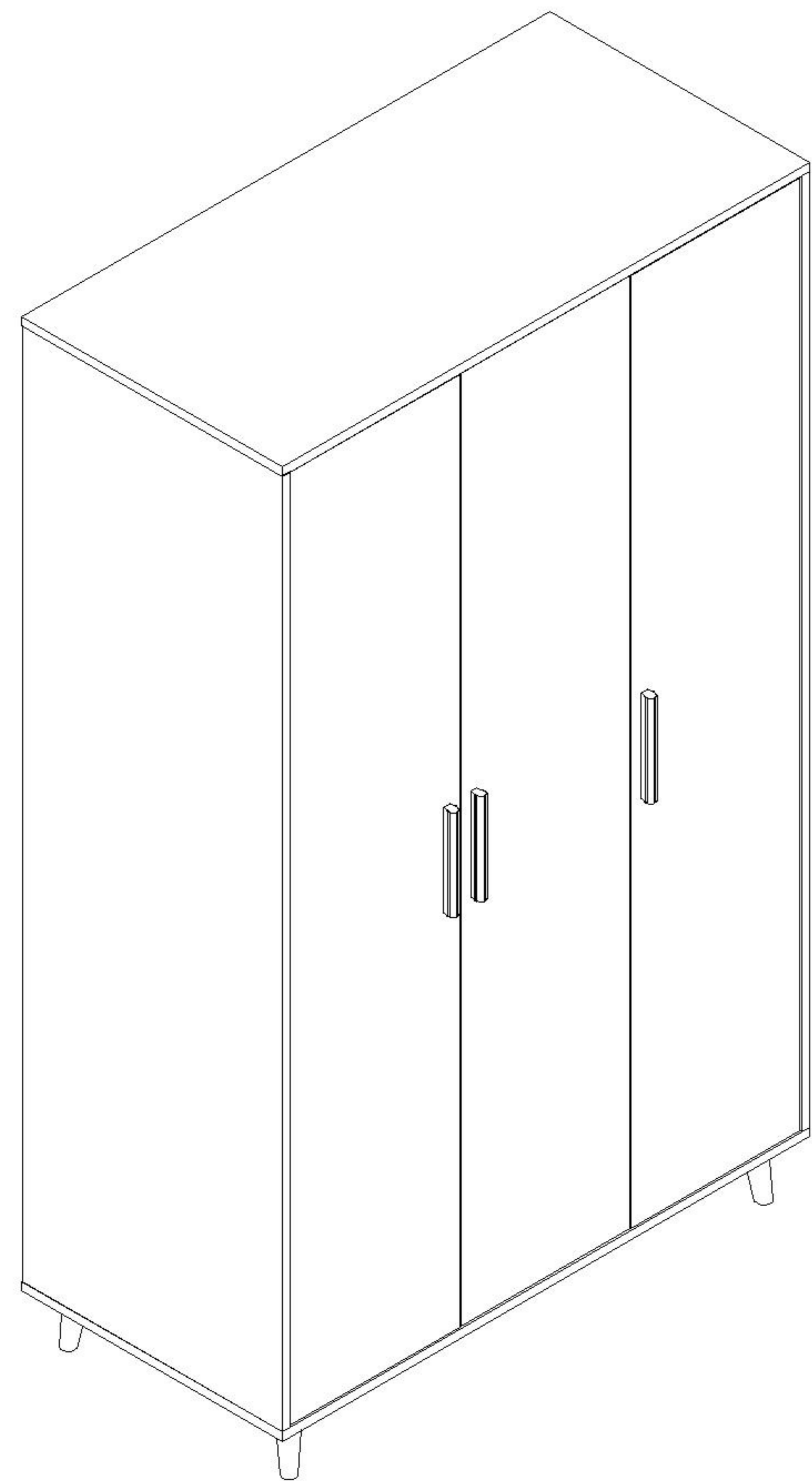


安装示意图/Assembly Instruction

产品名称 Model NO.	JC20D-A1 (1.2m)
产品规格 Specification	1205*617*2049mm
安装工具 Tool	安装人数 Installer
	

注：为保证设计效果，部分尺寸为定制尺寸，不影响使用。

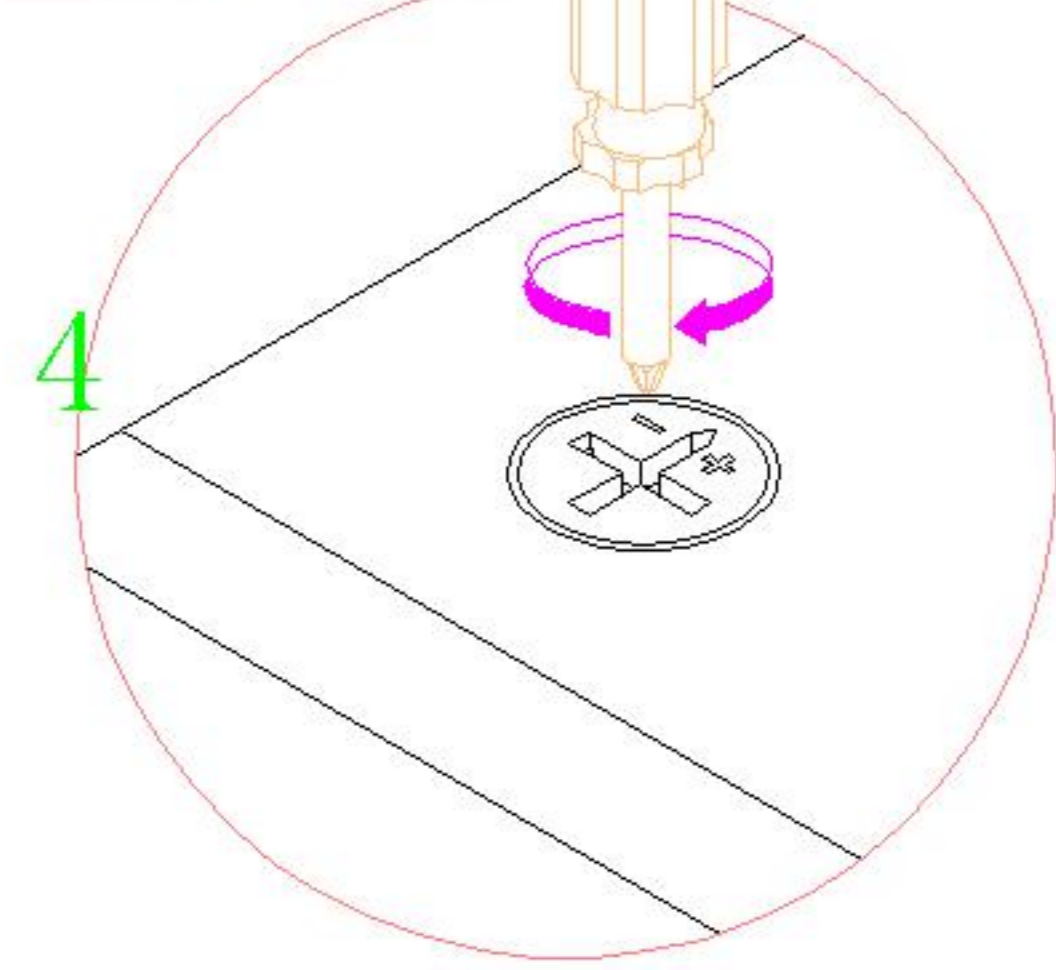
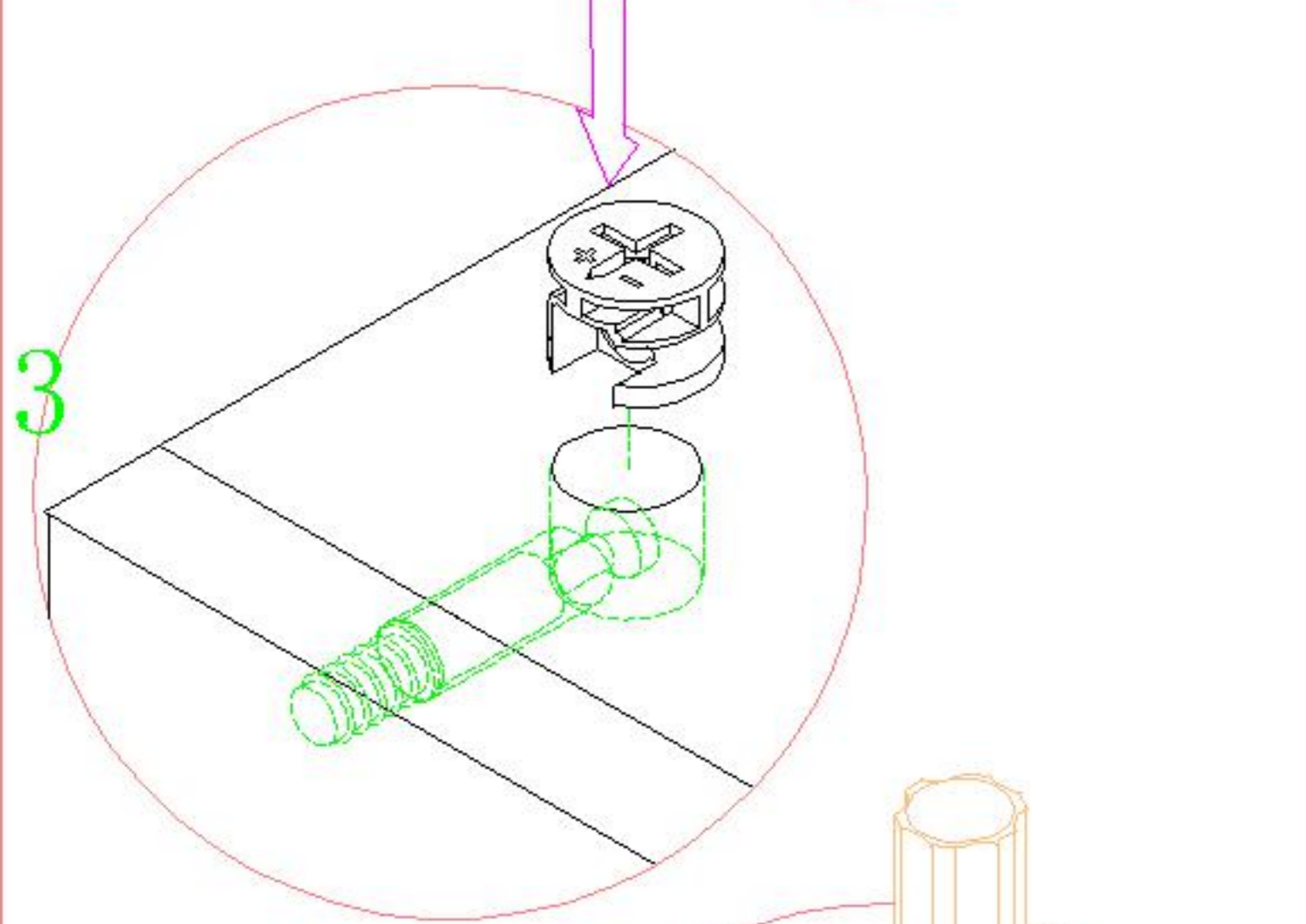
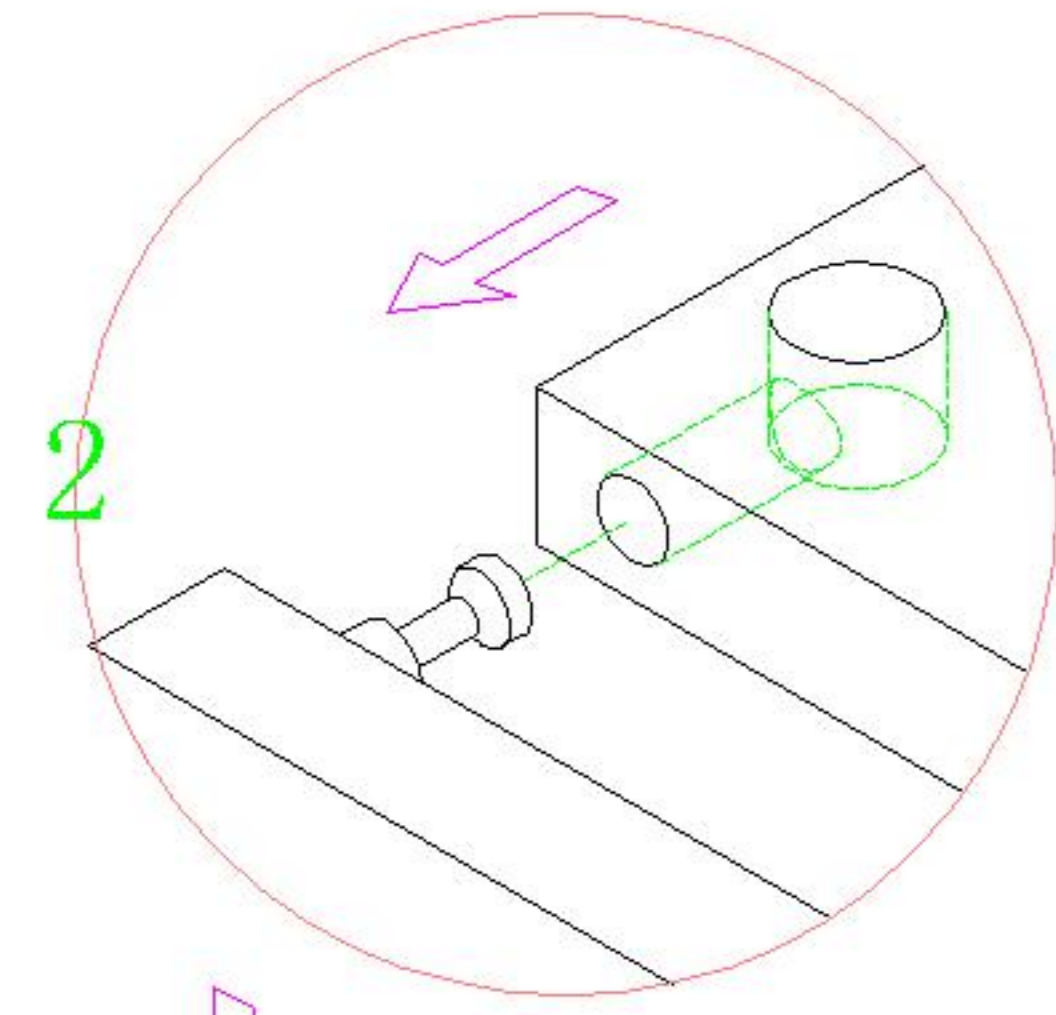
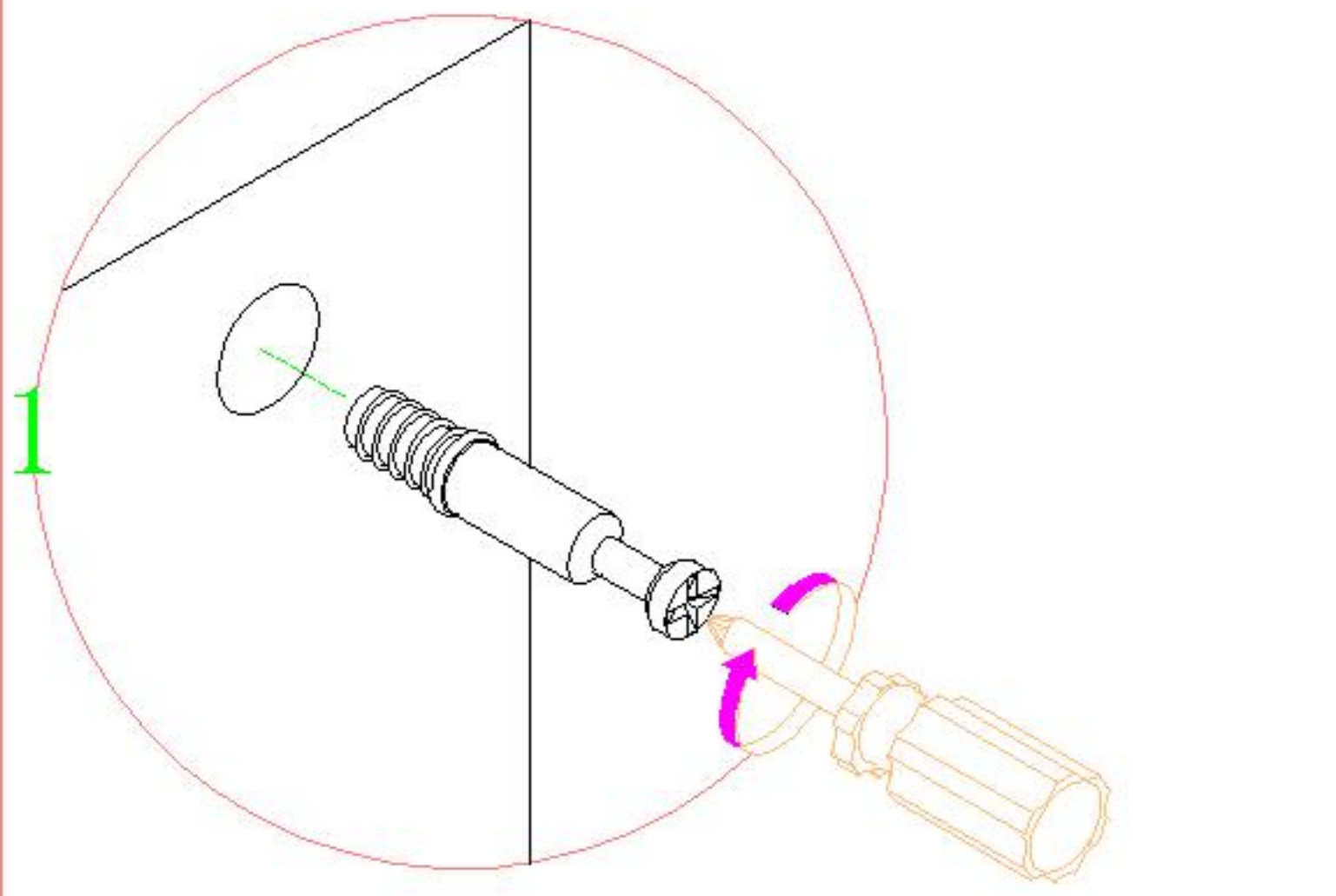


 (A)* 4 透明防滑PVC胶塞 PVC rubber plug	 (B)* 13 背板扣 Back Plate Buckle-White	 (C)* 16 层板托 shelf support	 (D)* 2 挂衣托 Clothes hanger
 (E)* 2 过山丝-M7x38mm Self-tapping screw galvanized	 (F)* 2 透气孔盖-白色 Vent cover - white	 (G)* 8 缓冲门铰大弯-Ø35 Hinge-big bends	 (H)* 4 缓冲门铰中弯-Ø35 Hinge-middle bending
 (I)* 34 二合一螺杆(35mm) 2-in-1-screw	 (J)* 34 大三合一锁饼 Three-in-one large lock	 (K)* 6 拉手螺丝-M4x30mm pulling screw	 (L)* 1 斜边十字螺杆-M8x35 bevel cross screw
 (M)* 8 自攻螺丝M3.5x12mm Self-tapping screw	 (N)* 17 自攻螺丝M3.5x16mm Self-tapping screw	 (O)* 13 木榫Ø8x30mm wood tenon	 (P)* 1 调节五金脚-M8x30 Adjusting foot
 (Q)* 1 挂衣杆-L=758mm Clothes hanger	 (R)* 4 斜边十字螺杆-M8x55 bevel cross screw	 (S)* 4 锤母-(M8*15mm) Hammer nut	 (T)* 2 家具防倒器-白色 Anti-fall device white
 (U)* 2 单层磁碰 magnetic catch-white			

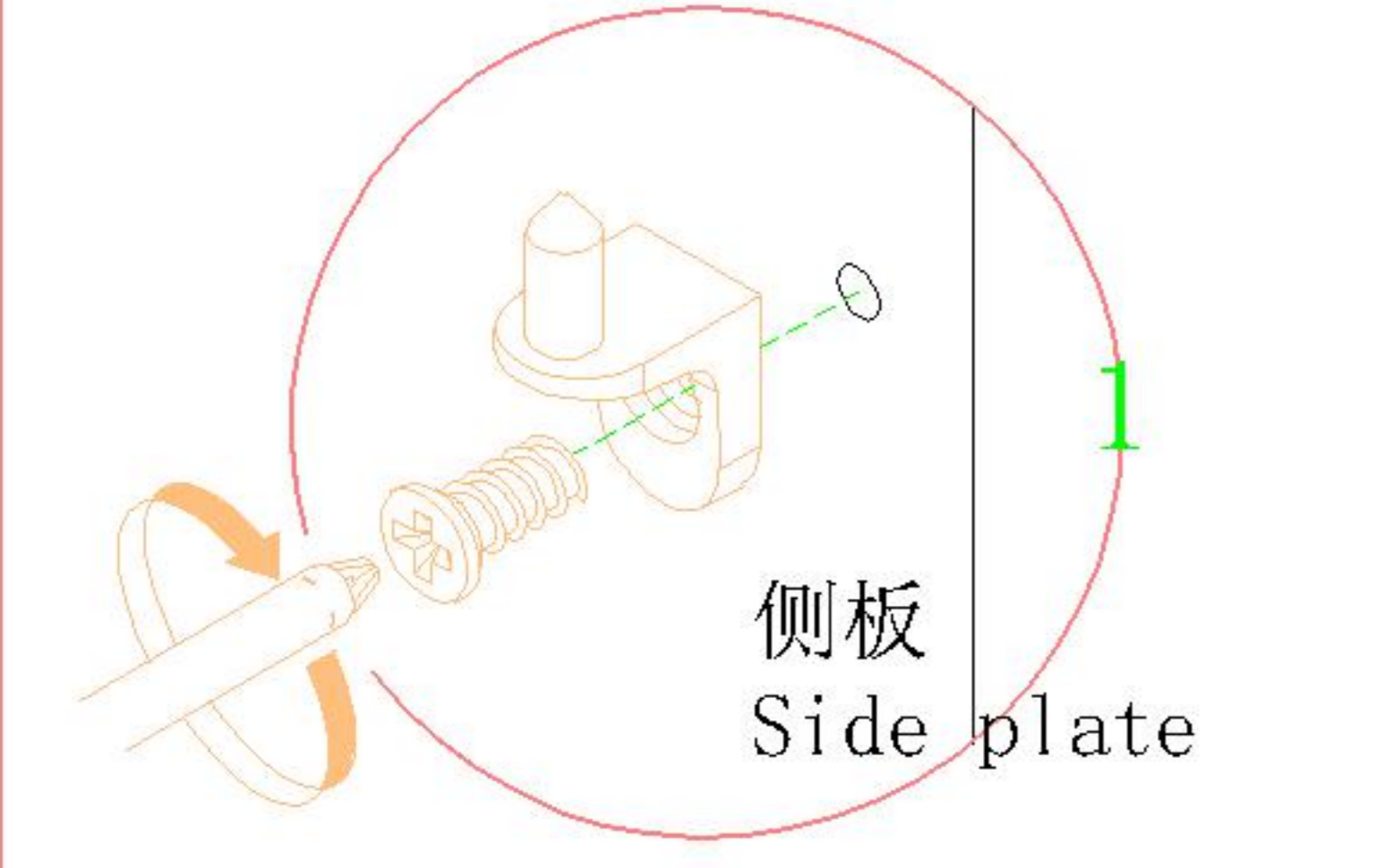
编号NO.	名称Name	规格 (mm) Specification	数量QTY	材质Material
①	顶板 Top board	1205*594*18	1	三胺板Melamine
②	左侧板 Side board(L)	1888*594*18	1	三胺板Melamine
③	右侧板 Side board(R)	1888*594*18	1	三胺板Melamine
④	中侧板 Middle side board	1888*554*18	1	三胺板Melamine
⑤	底板 Bottom board	1205*594*18	1	三胺板Melamine
⑥	脚 Foot	130*46*46	4	实木Wood
⑦	中脚 Middle foot	106*30*30	1	实木Wood
⑧	左活动层板 Movable shelf(L)	765*552*18	1	三胺板Melamine
⑨	右活动层板 Movable shelf(R)	382*552*18	3	三胺板Melamine
⑩	门板 Door board	1882*386*18	3	三胺板Melamine
⑪	边背拉条 Side back brace	1888*140*15	2	三胺板Melamine
⑫	背拉条 Back brace	1888*140*15	1	三胺板Melamine
⑬	大背板 Big backboard	1898*575*5	1	三胺板Melamine
⑭	小背板 Small sack board	1898*192*5	1	三胺板Melamine
⑮	长拉手 Long handle	208*25*20	3	实木Wood

JC20D-A1 (1.2m)

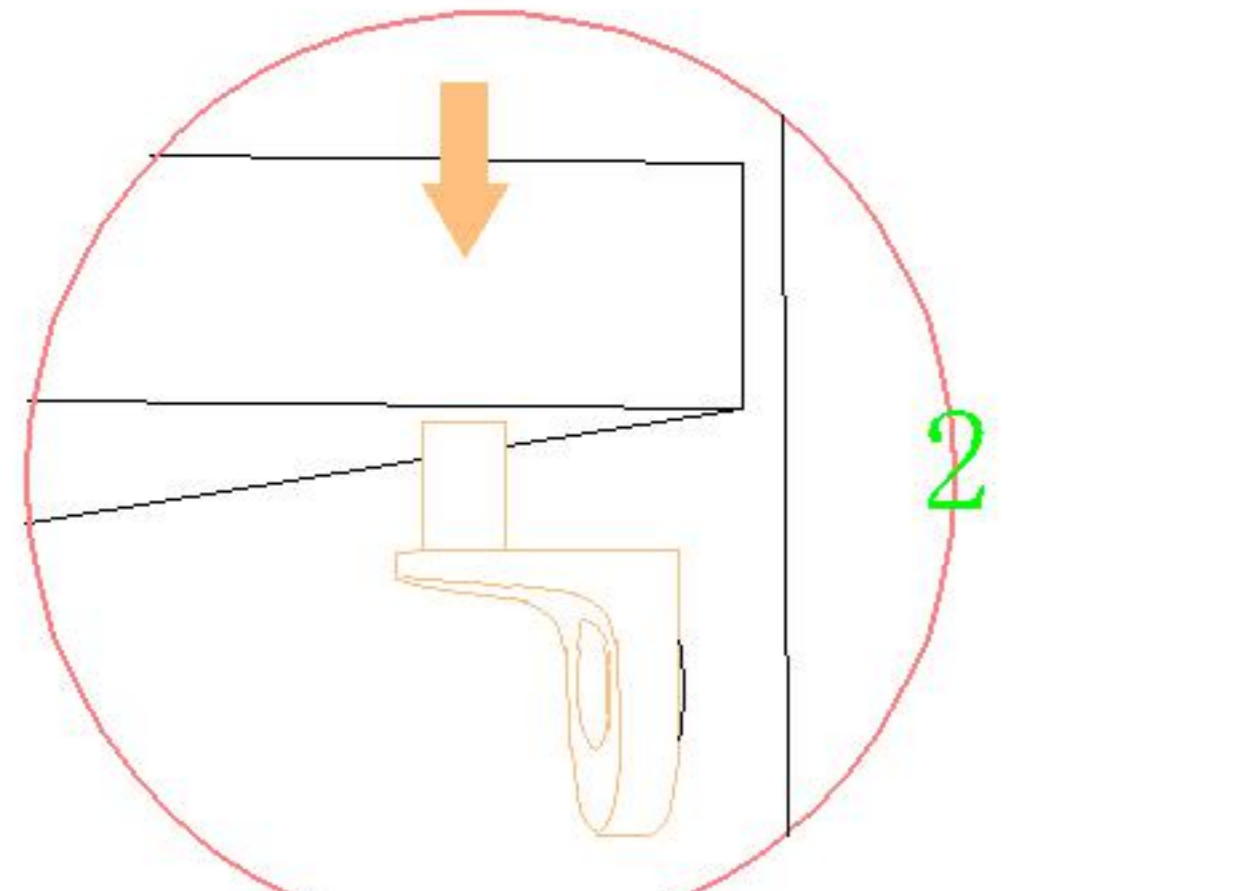
安装方法/
Installation method



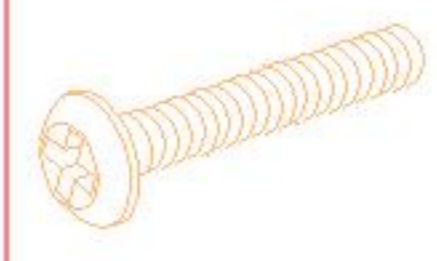
大二合一
two-in-one



侧板
Side plate



层板托5mm
shelf support



(L)*1



(A)*4



(P)*1



(R)*4



(S)*4



(I)*8



(J)*8



(O)*4



(I)*8



(J)*8



(I)*4



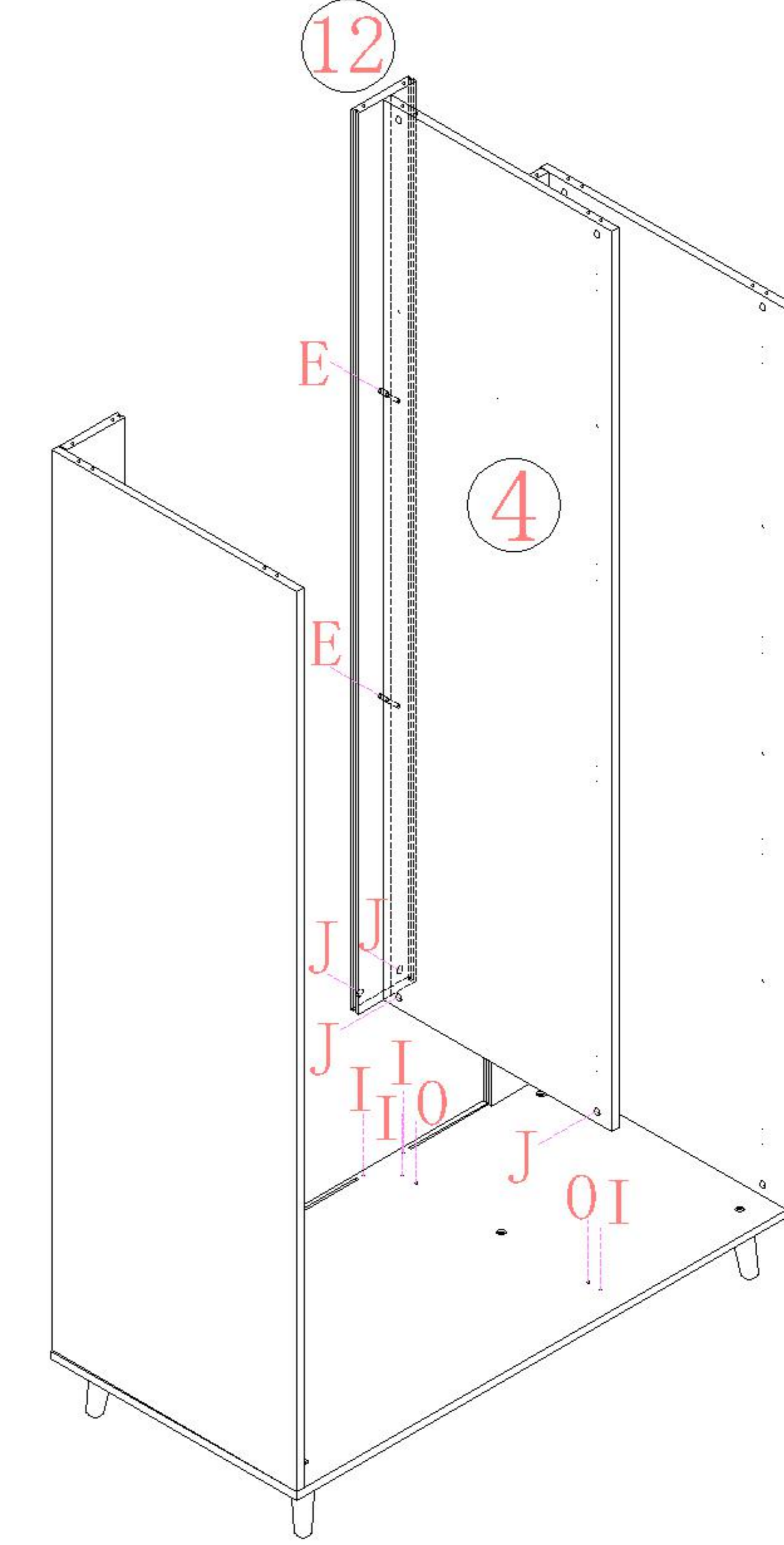
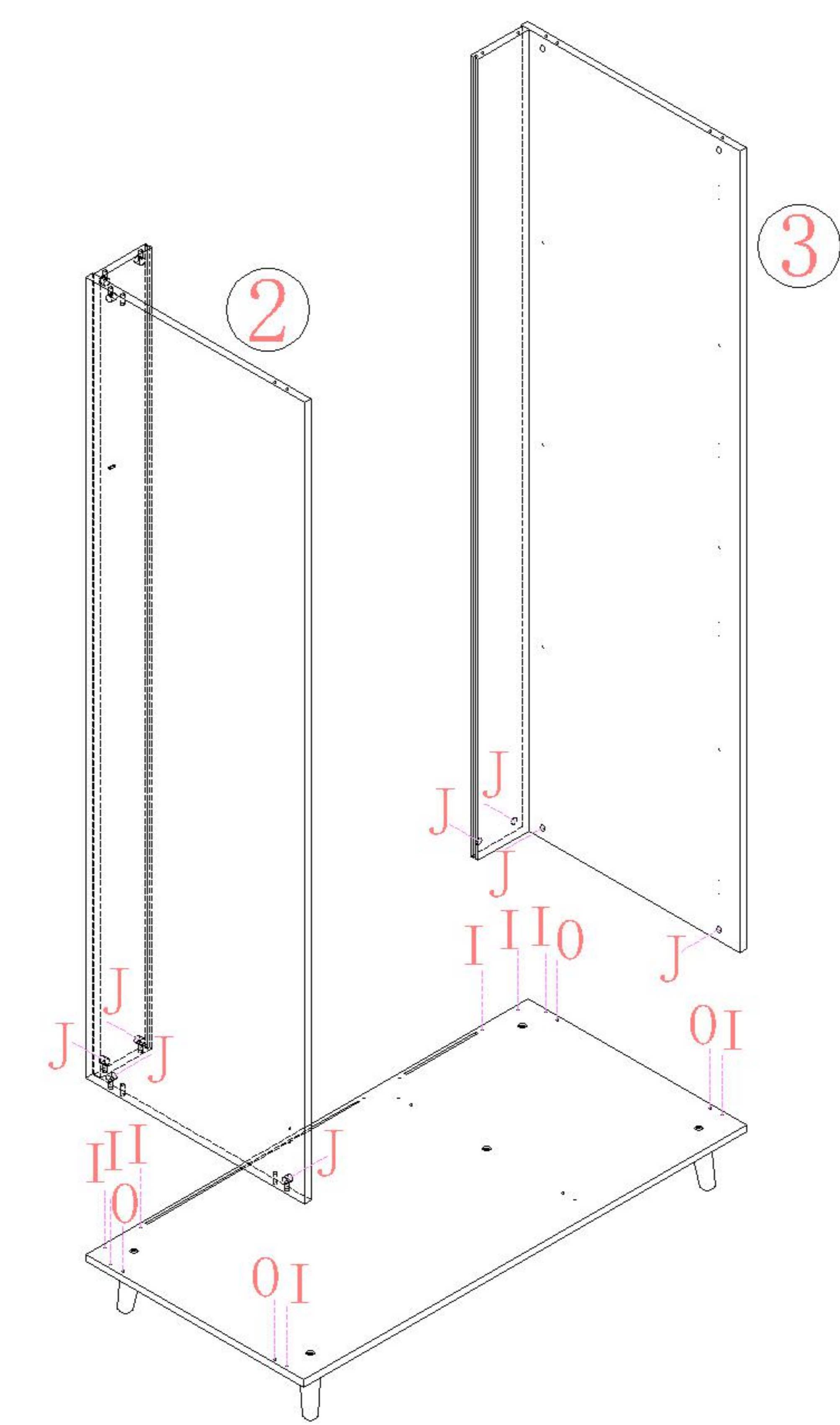
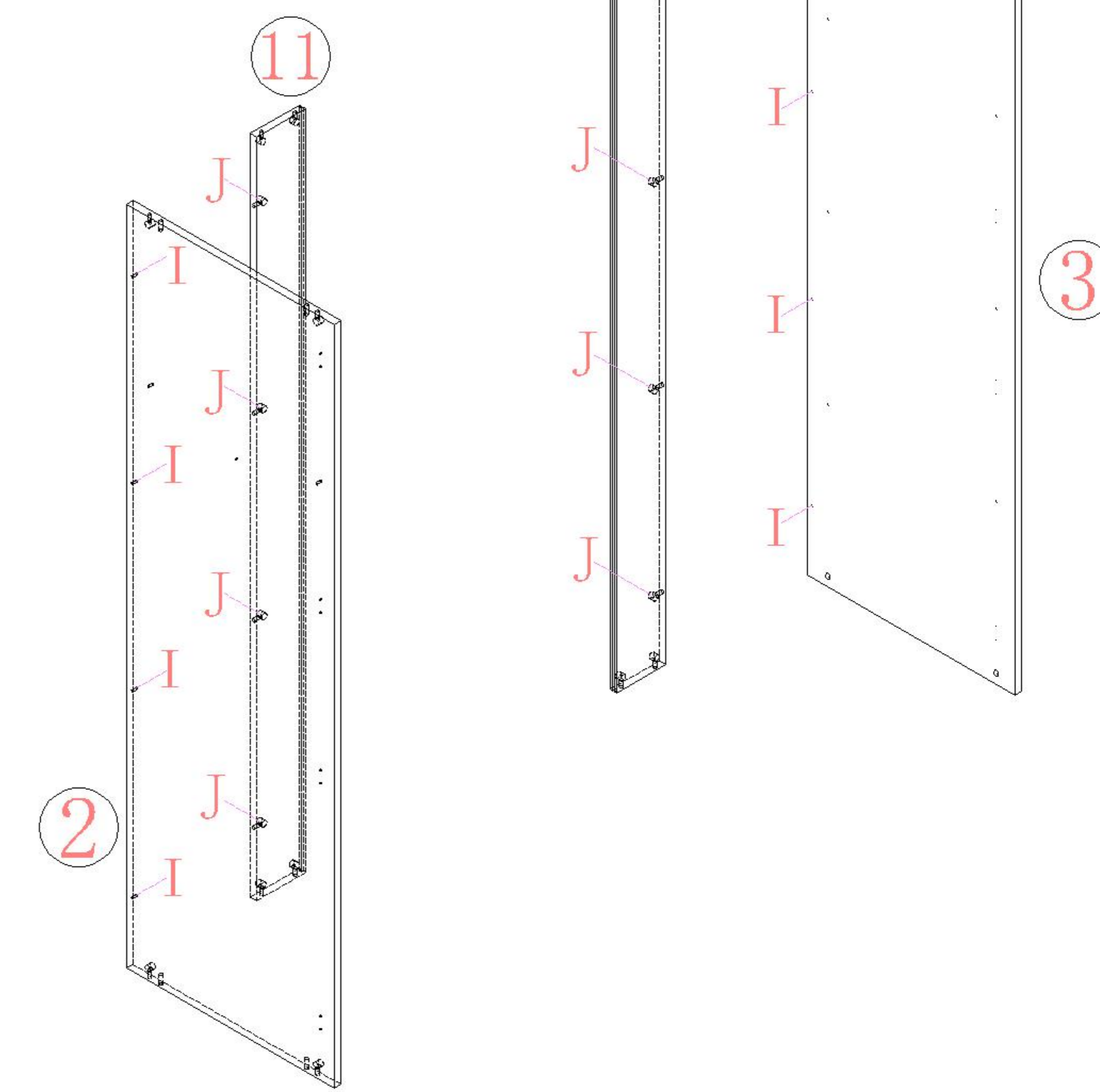
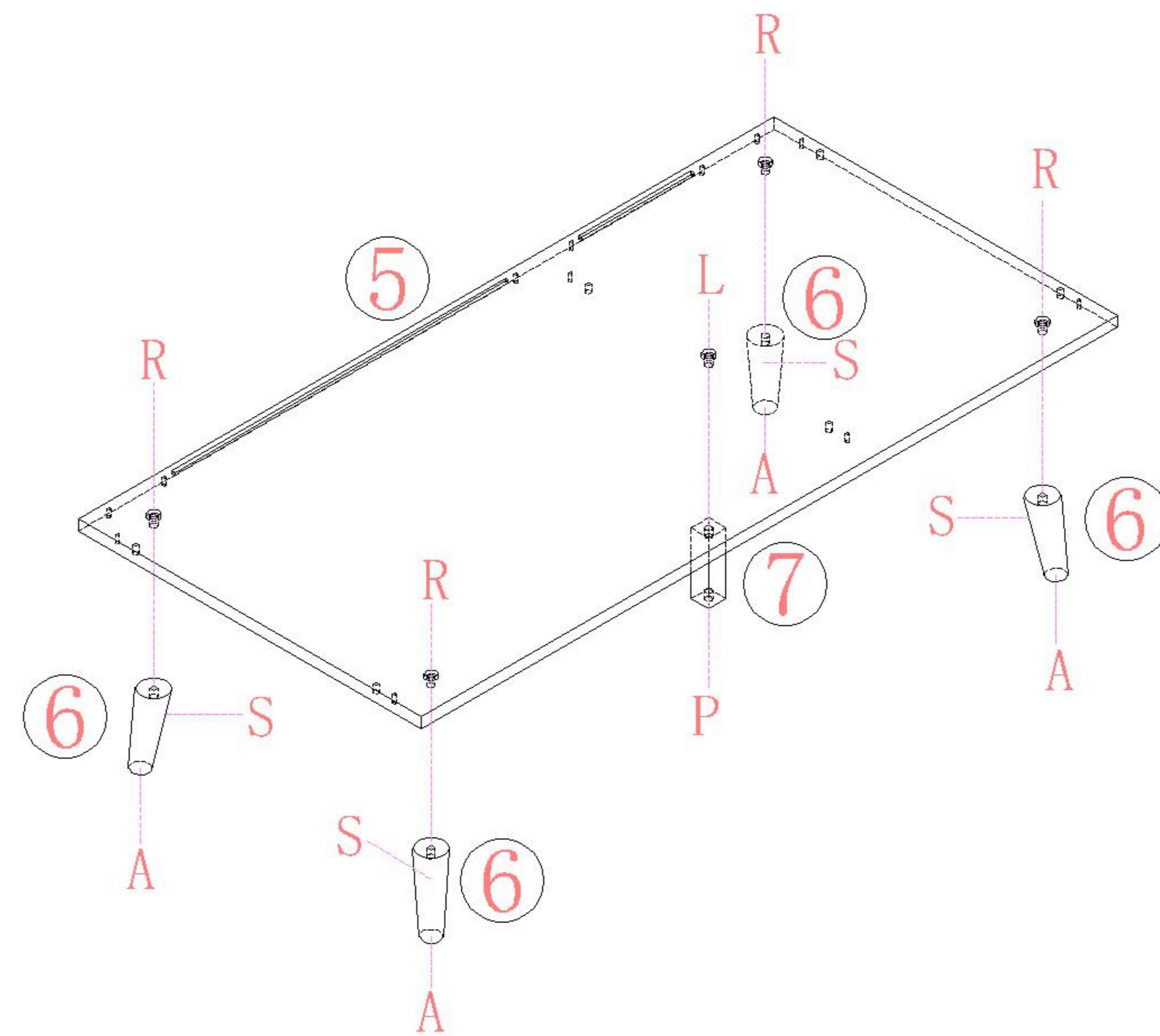
(J)*4



(E)*2



(O)*2



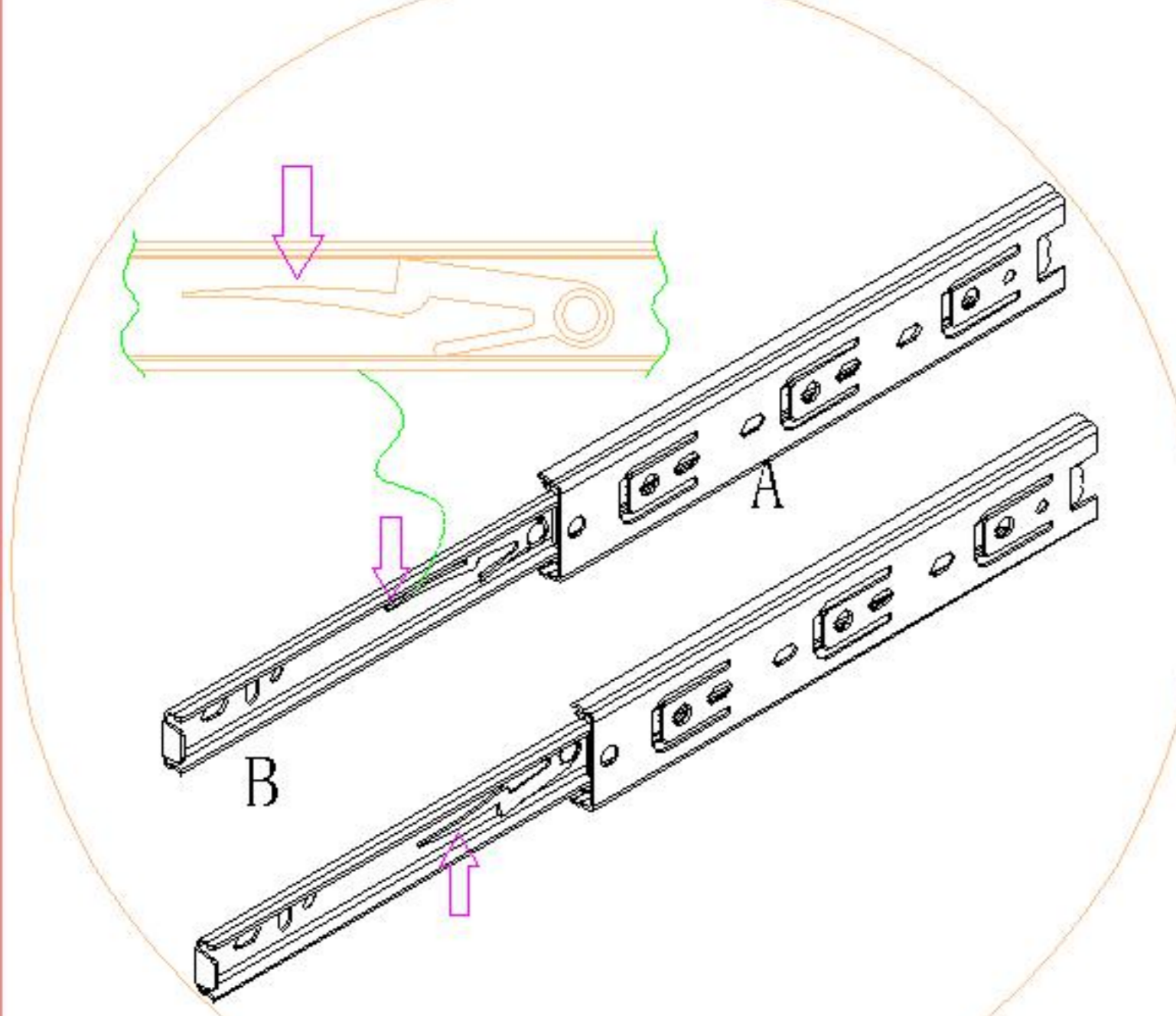
2

4

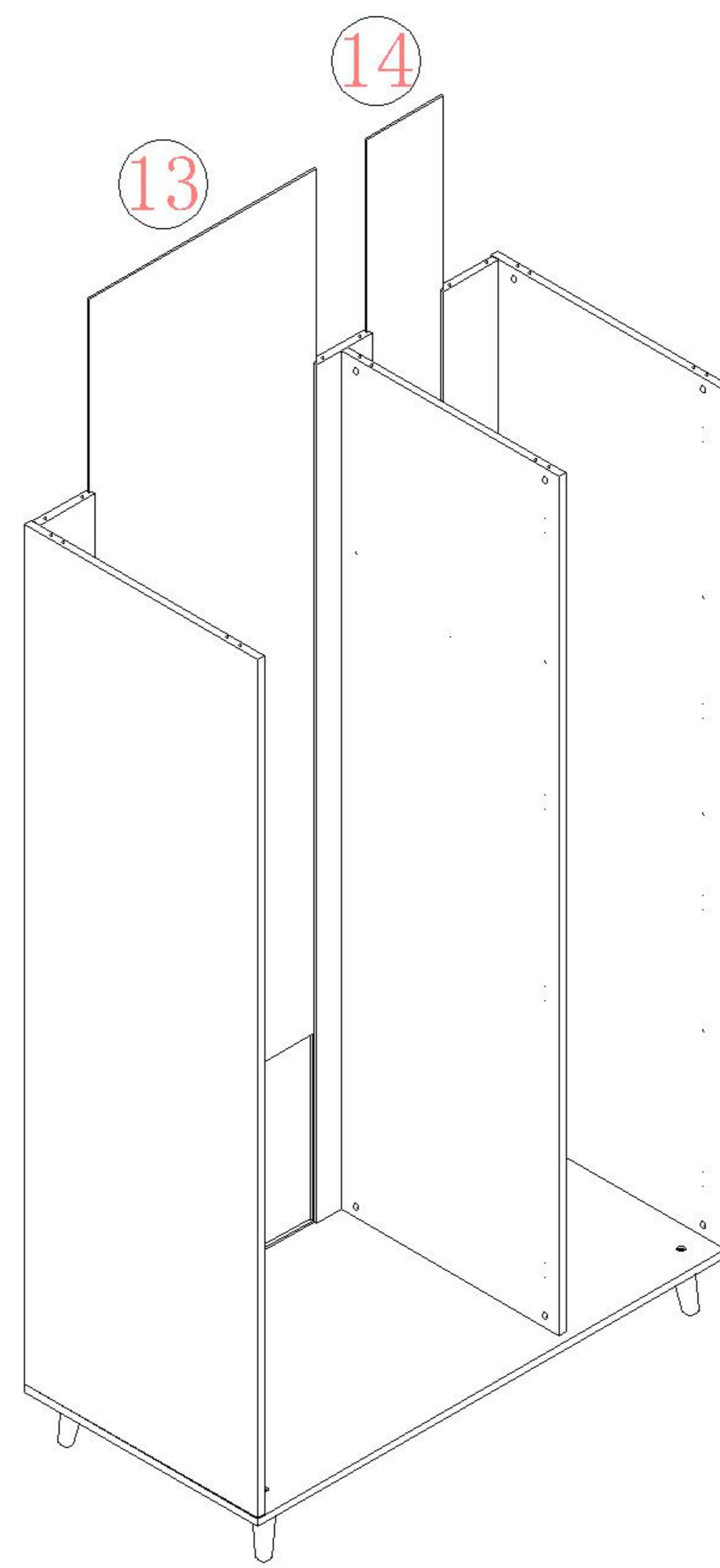
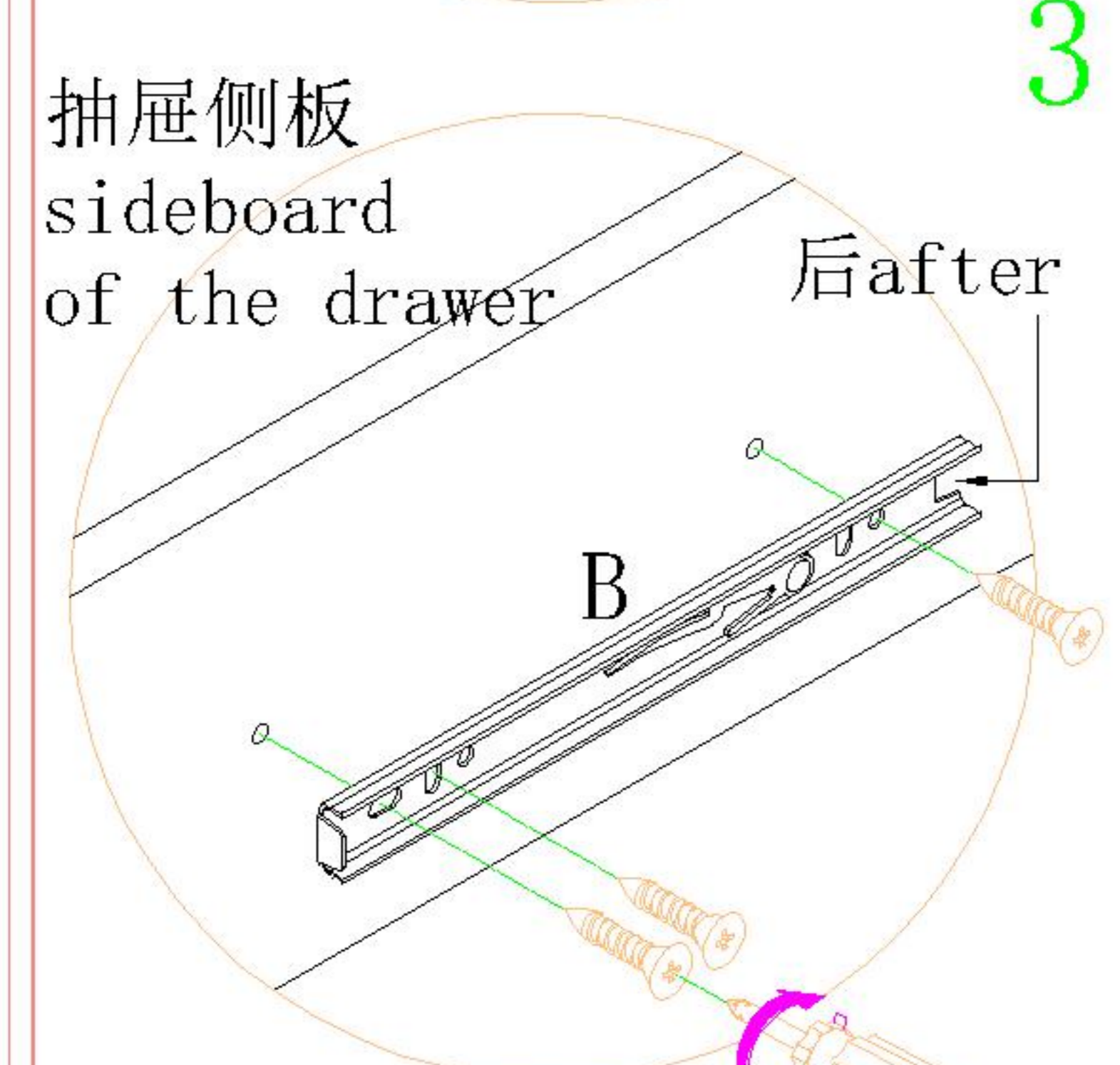
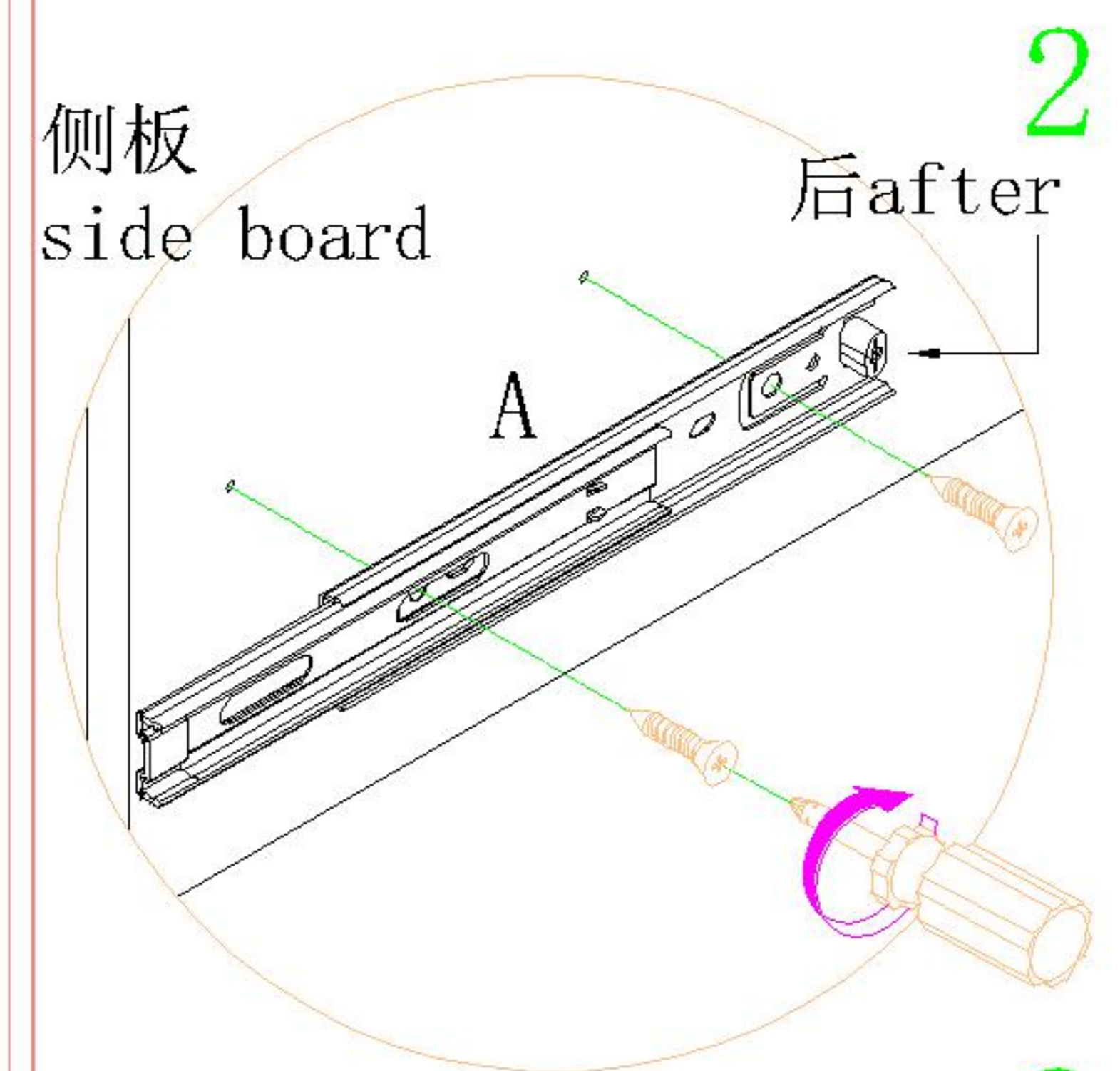
JC20D-A1 (1.2m)

安装方法/
Installation method

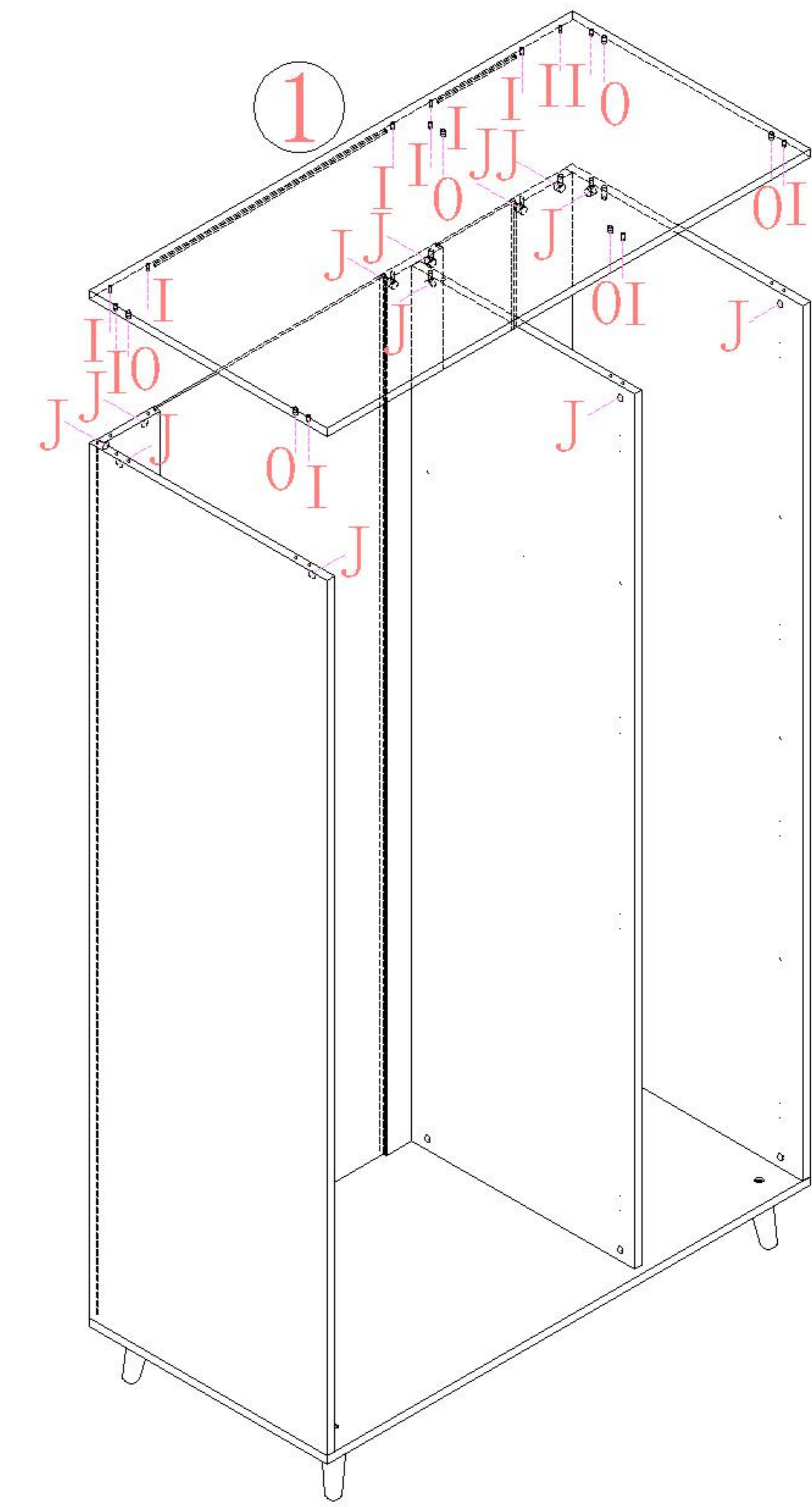
1
阀门开关(下压为开)
Valve switch
(press down to open)



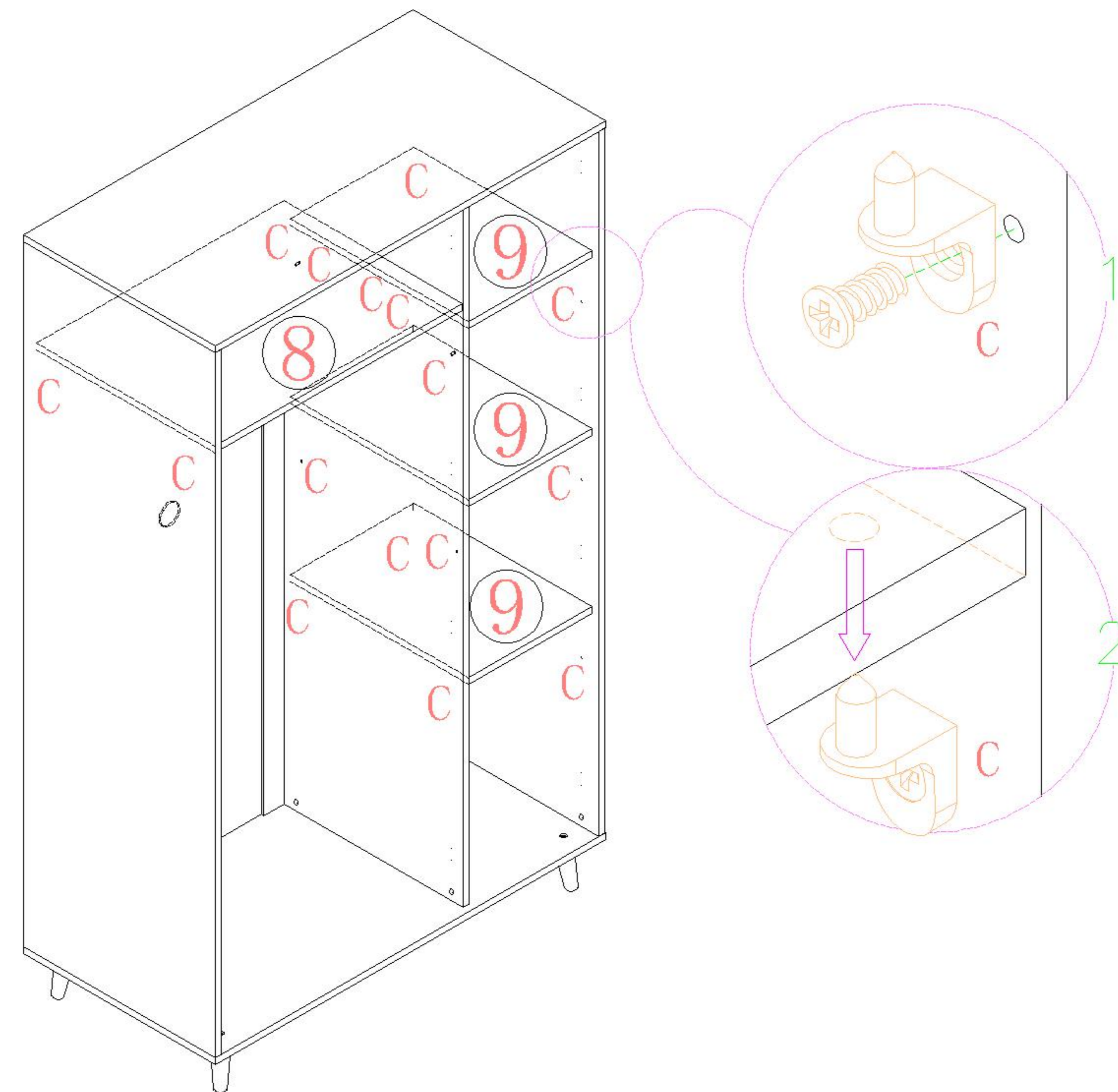
注: 先将A与B拆下来
Note: remove a and B first



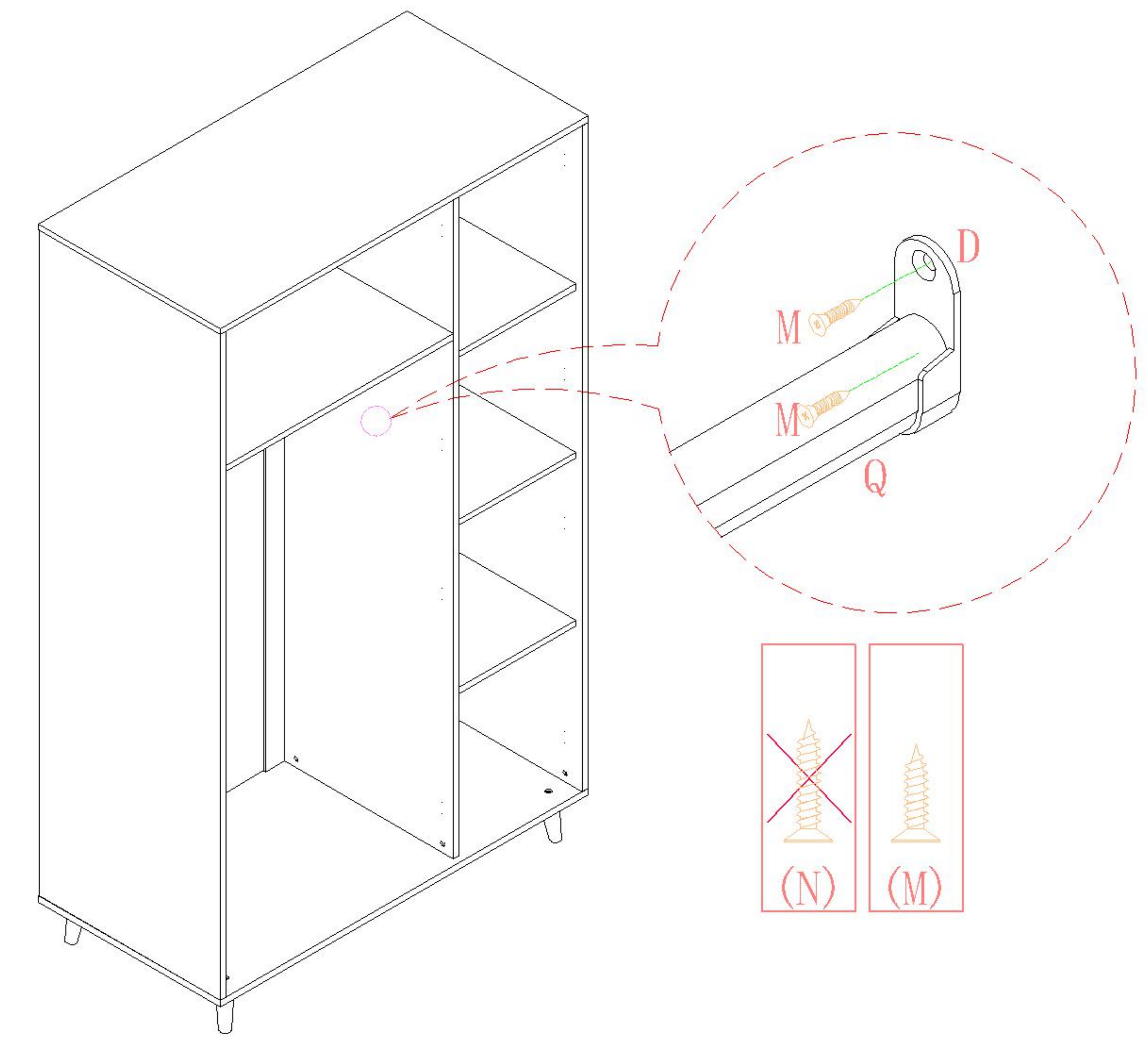
5
(I)*12
(J)*12
(O)*6



(C)*16

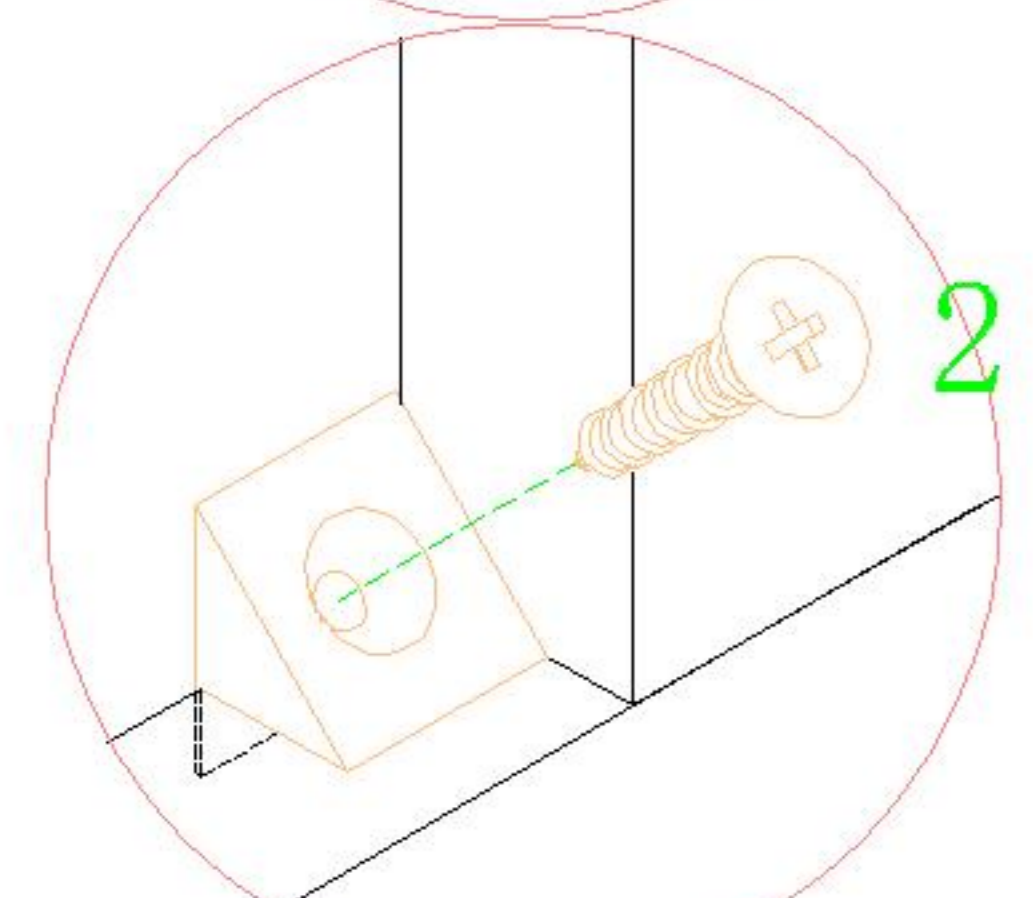
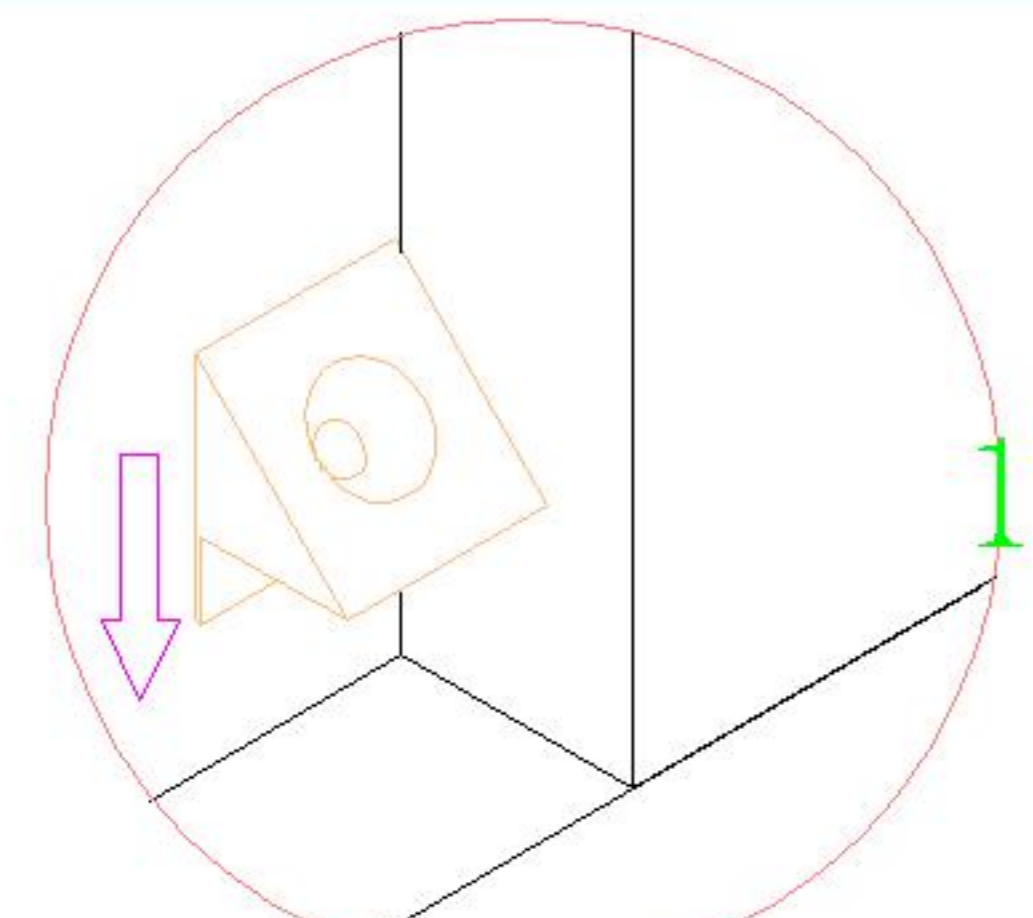


7
(D)*2
(M)*4
(Q)*1



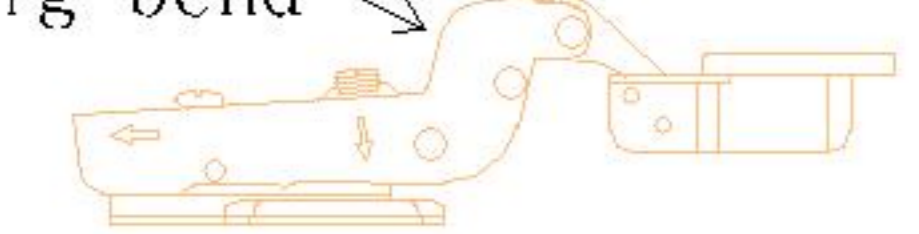
JC20D-A1 (1.2m)

安装方法/
Installation method

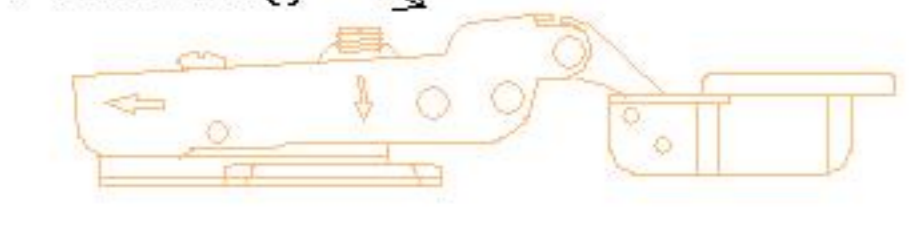


背板扣
Back Plate Buckle-White

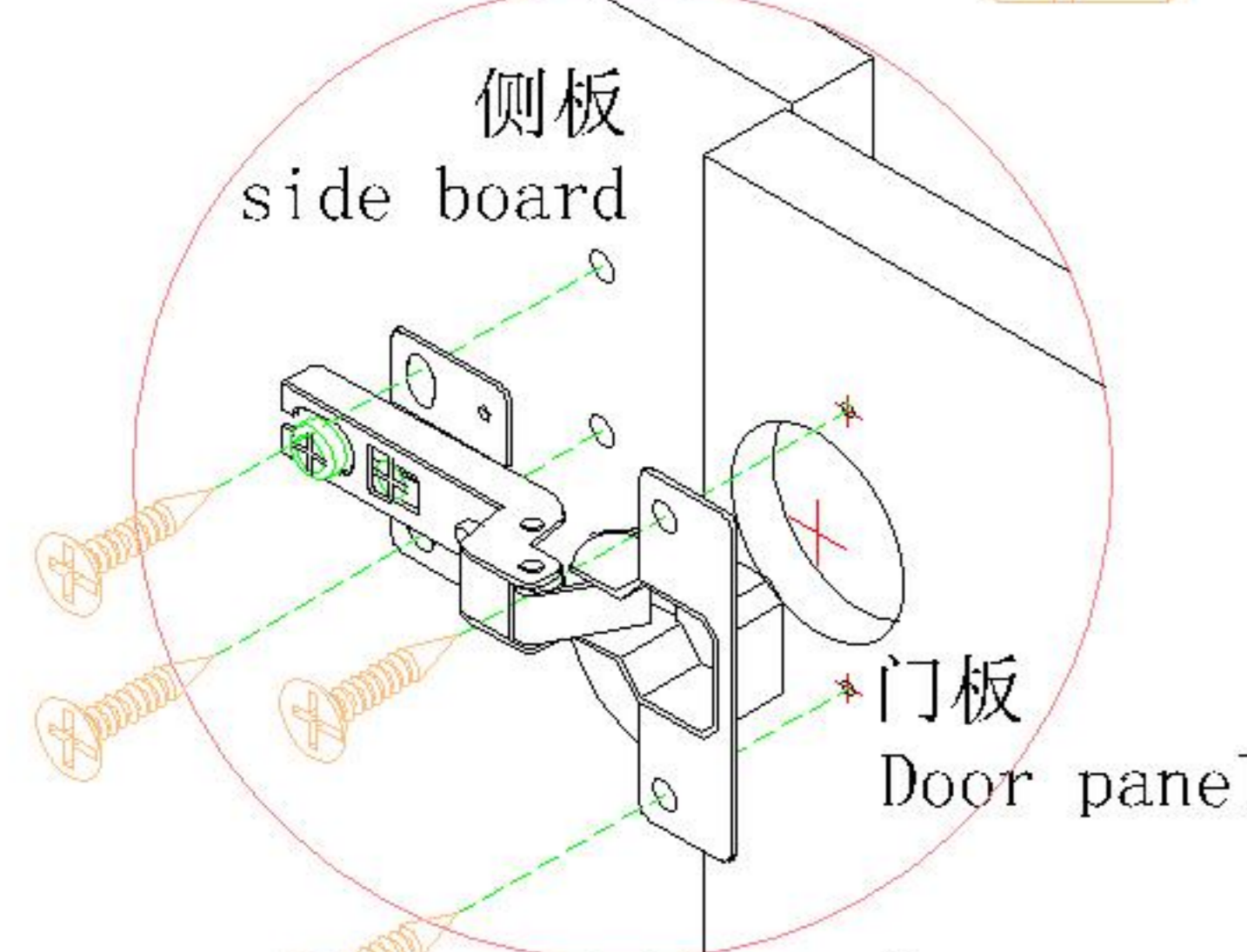
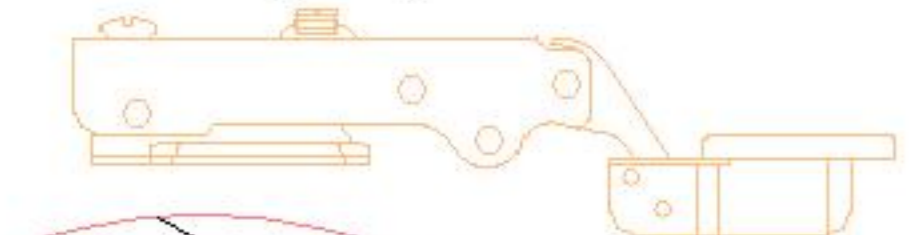
大弯big bend



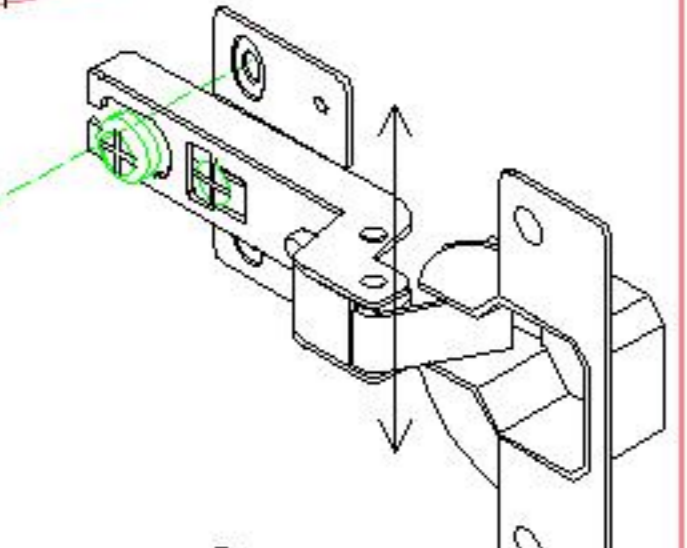
中弯middle bending



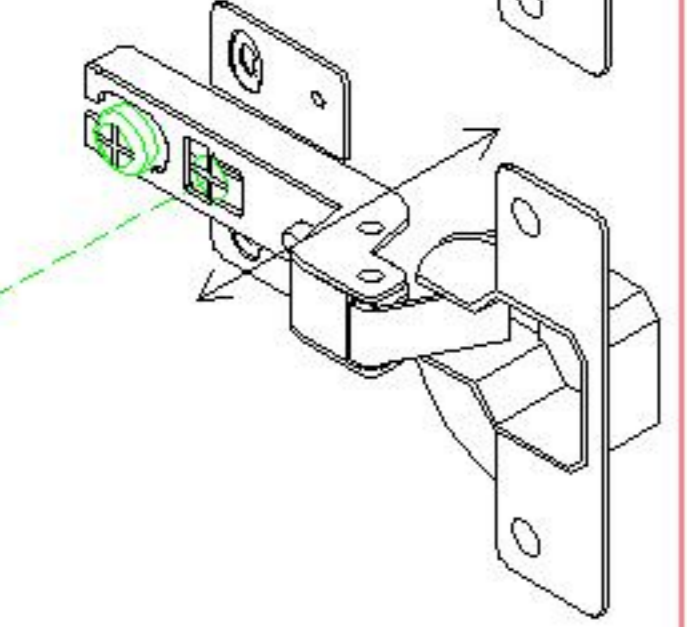
直弯straight bending



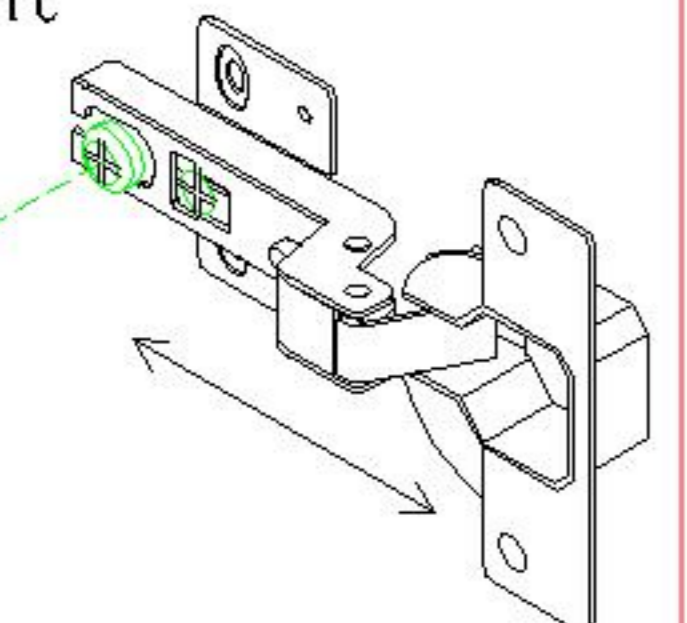
调节上下
Adjust up and down



调节左右
Adjust left and right

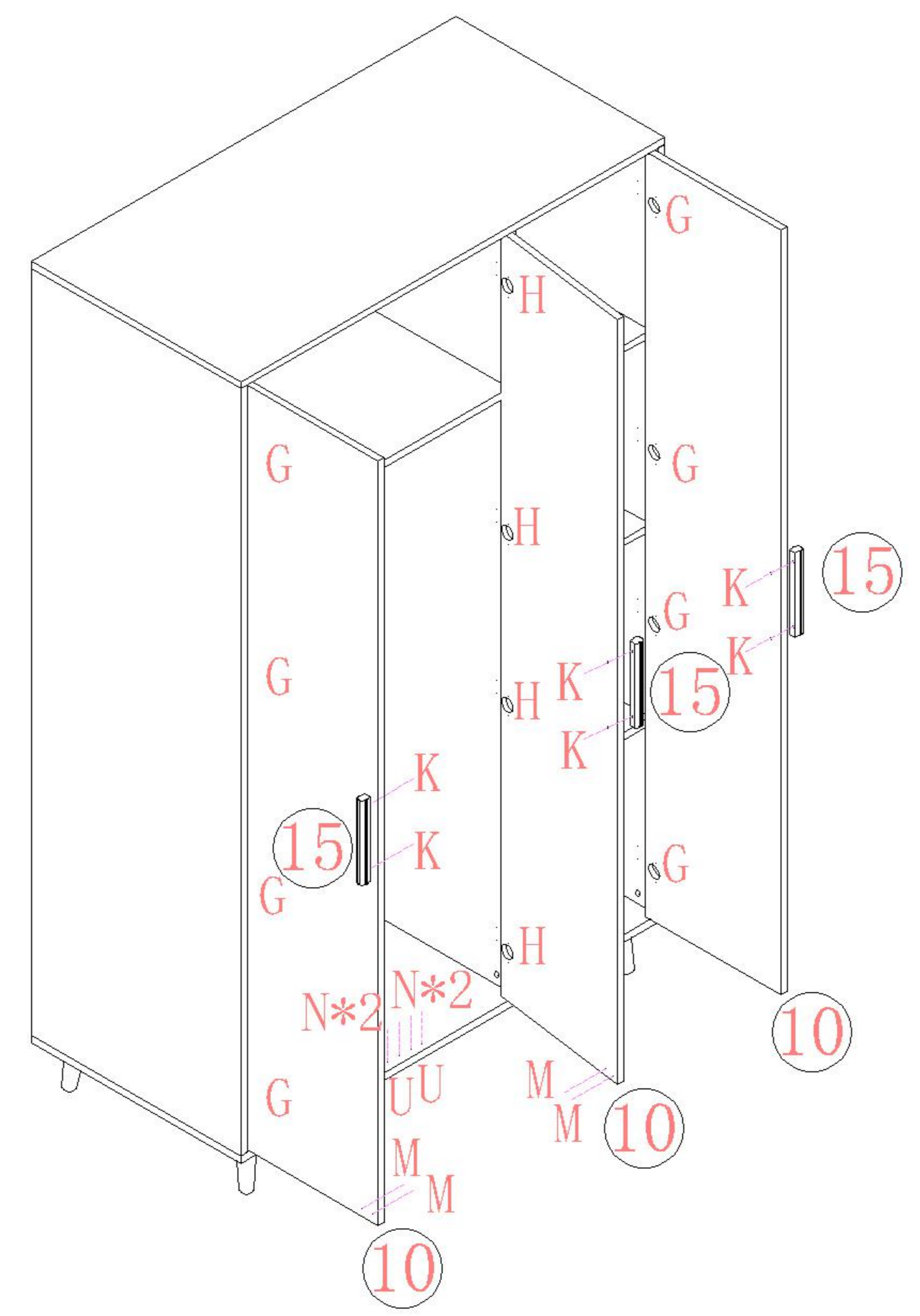


调节前后
Before and after adjustment

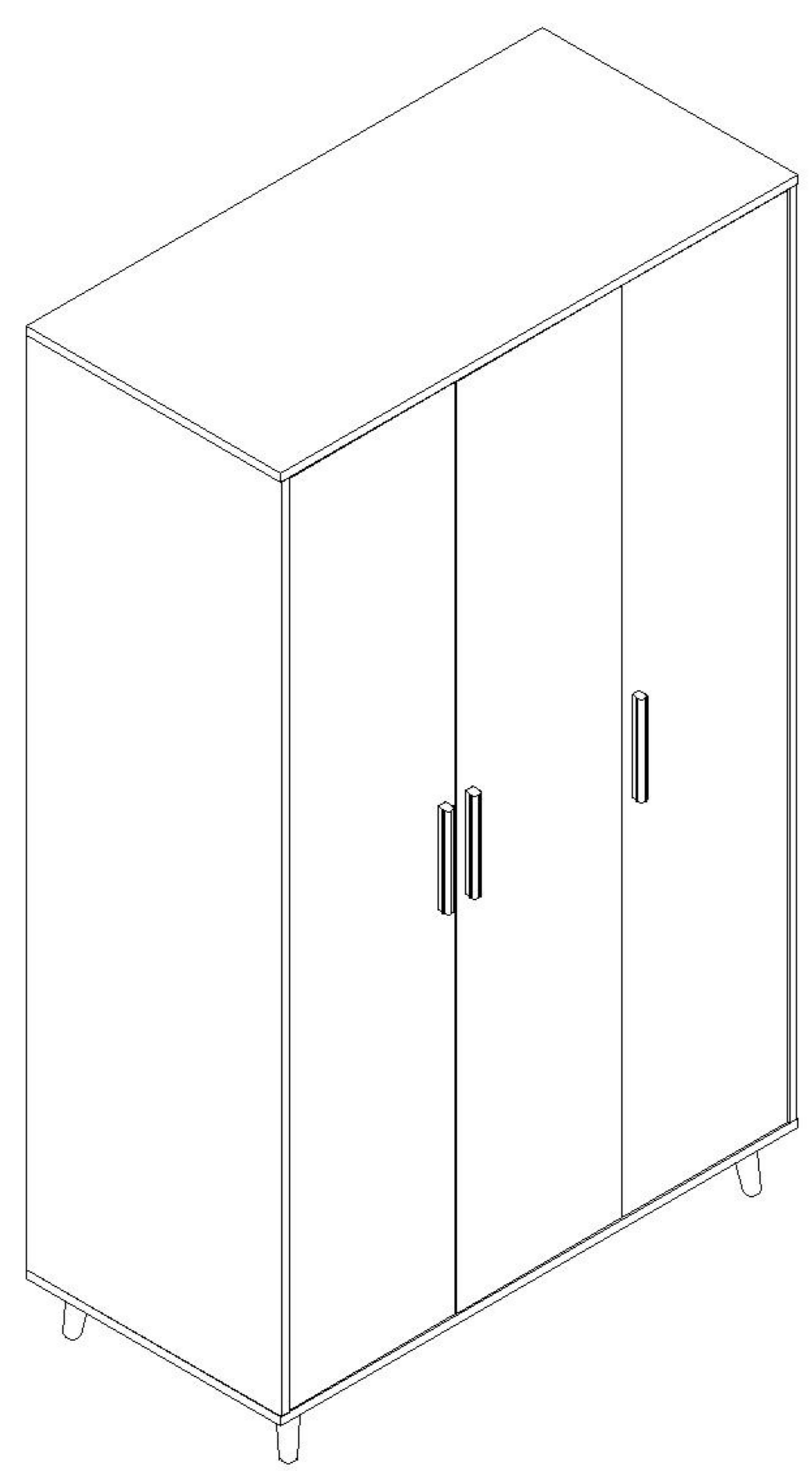


门铰
Hinge

- (G)*8
- (H)*4
- (K)*6
- (M)*4
- (N)*4
- (U)*2

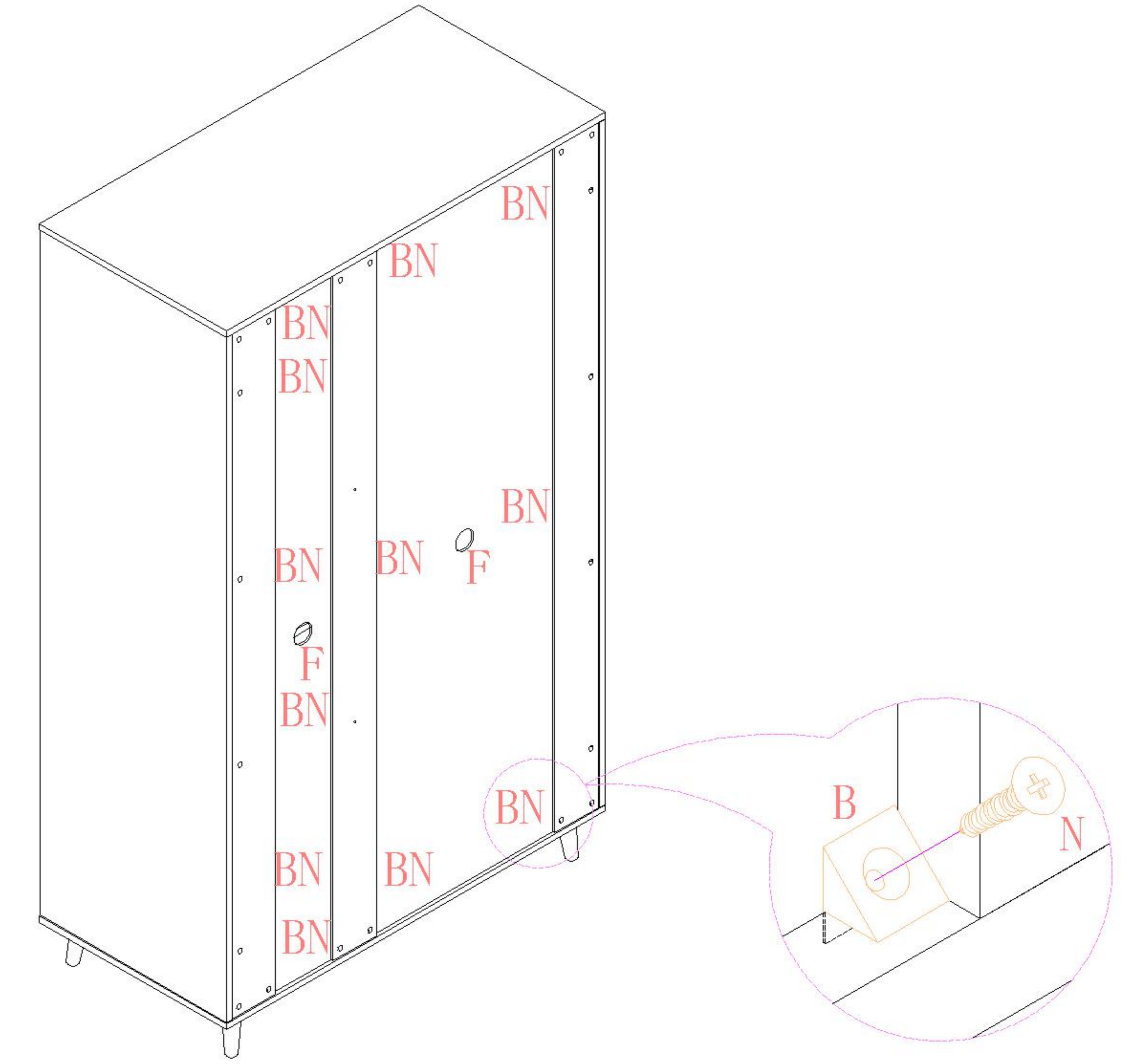


11



9

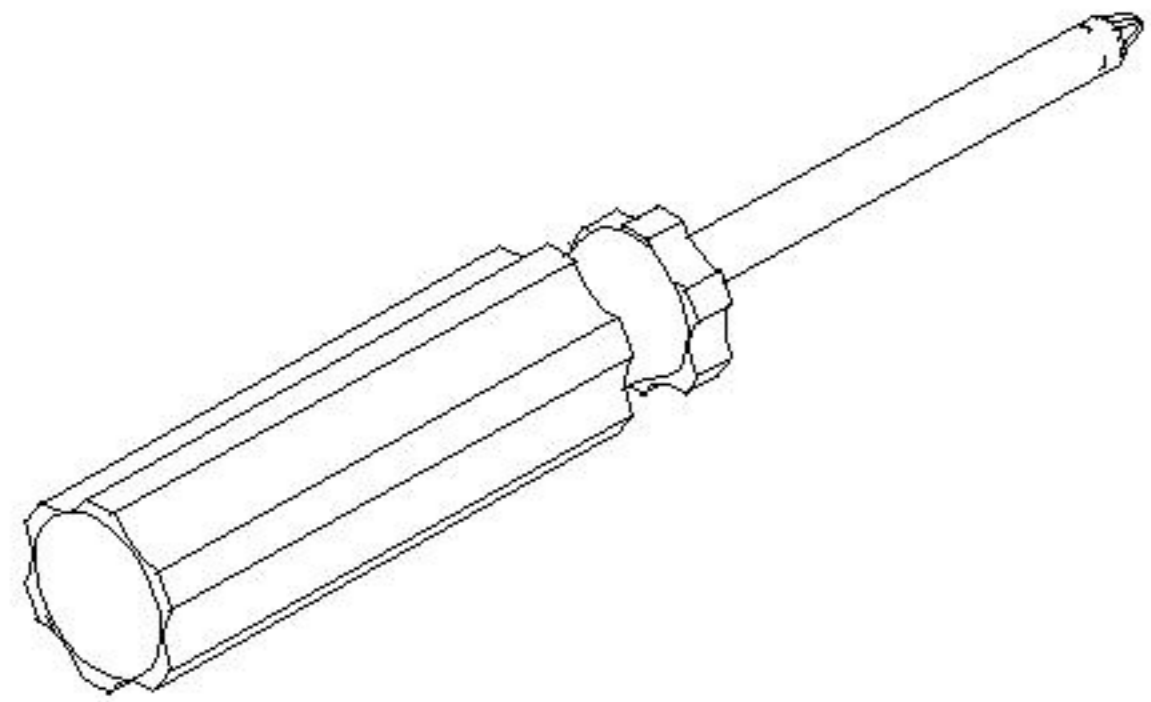
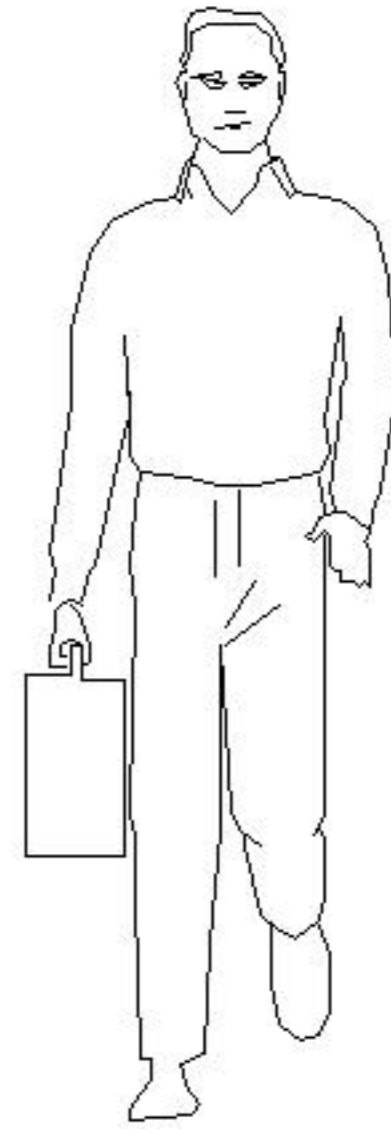
- (B)*12
- (N)*12
- (F)*2

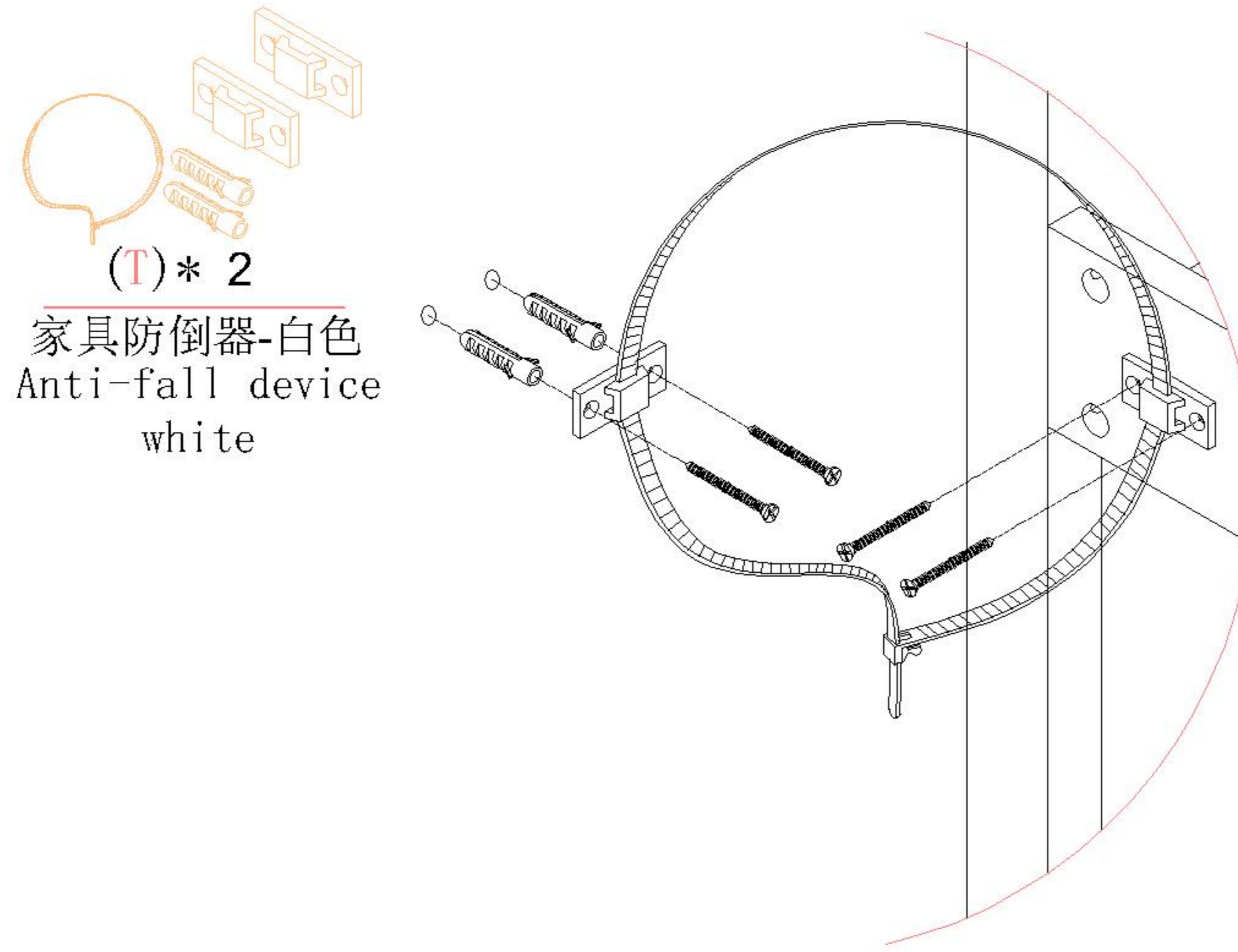


12

10

安装示意图/Assembly Instruction

产品名称 Model NO.	Anti-fall device
产品规格 Specification	-
安装工具 Tool	安装人数 Installer
	



T处放大图
Enlarged view at T

实体墙
Solid wall

