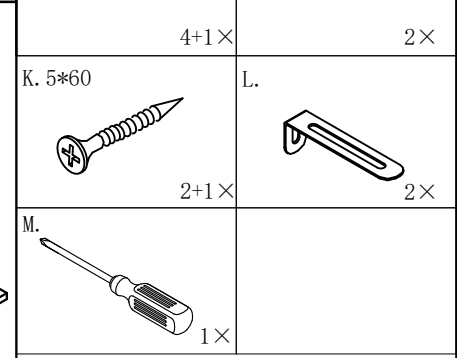
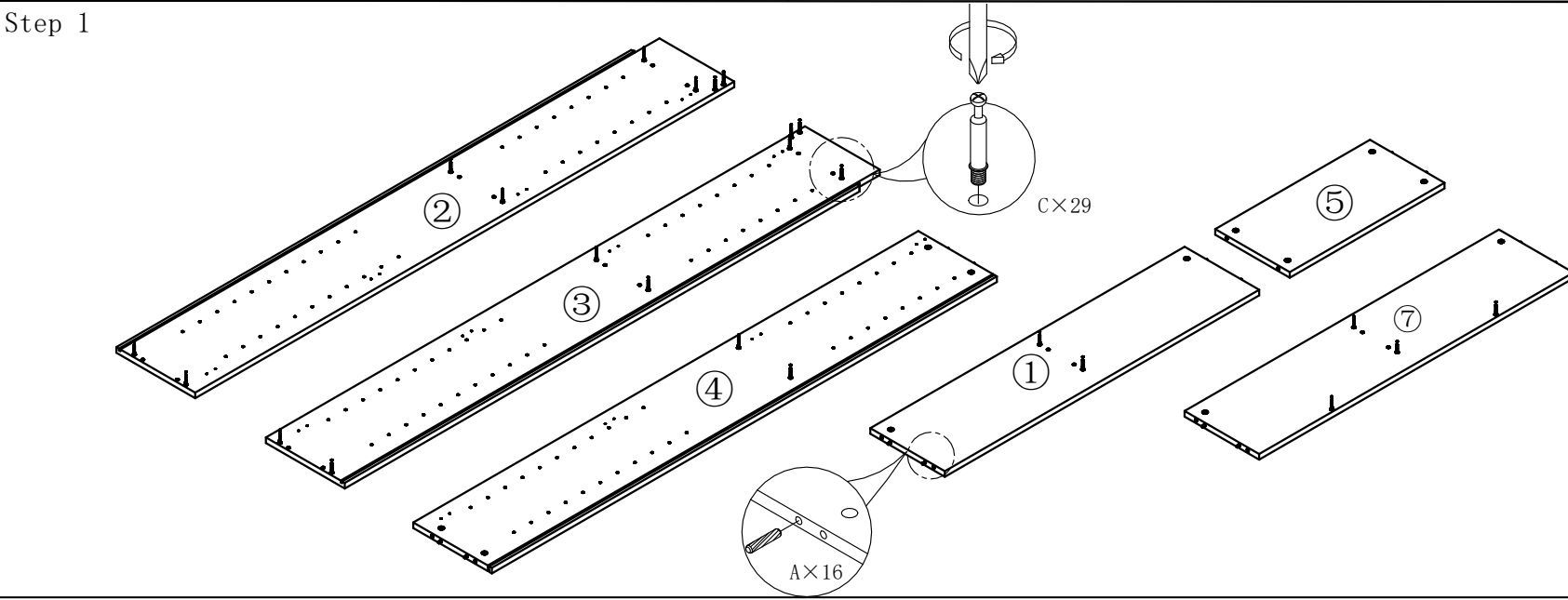
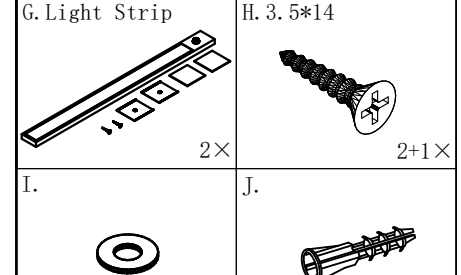
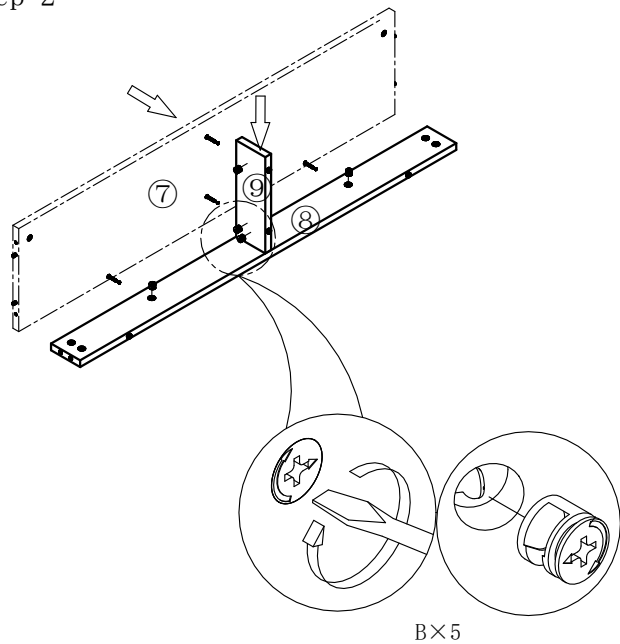


Attention: First of all, put a piece of carton or rug on the floor, and then begin to install the panels, so as to prevent the parts from scratch

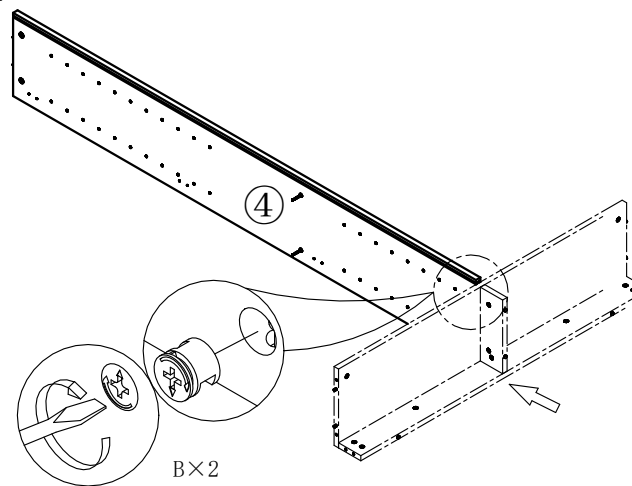


MODEL:	GF797-1203
SIZE:	1200*292*2000H

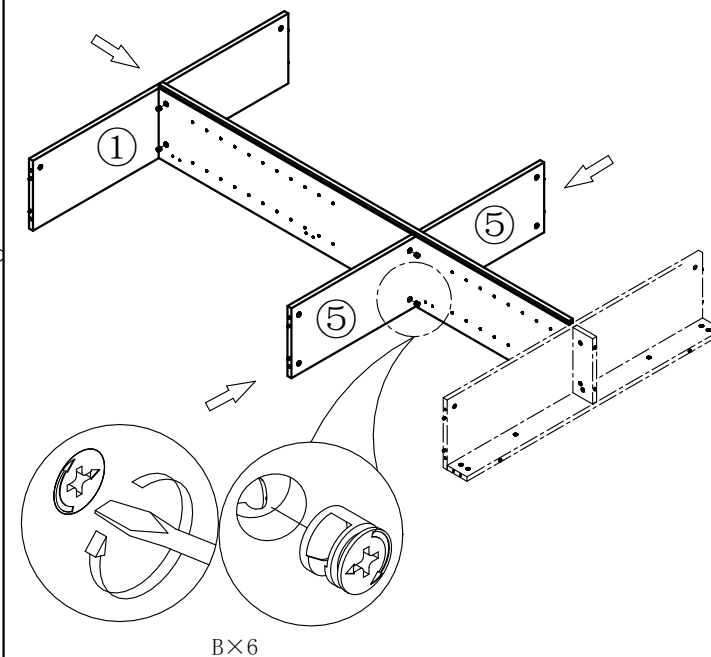
Step 2



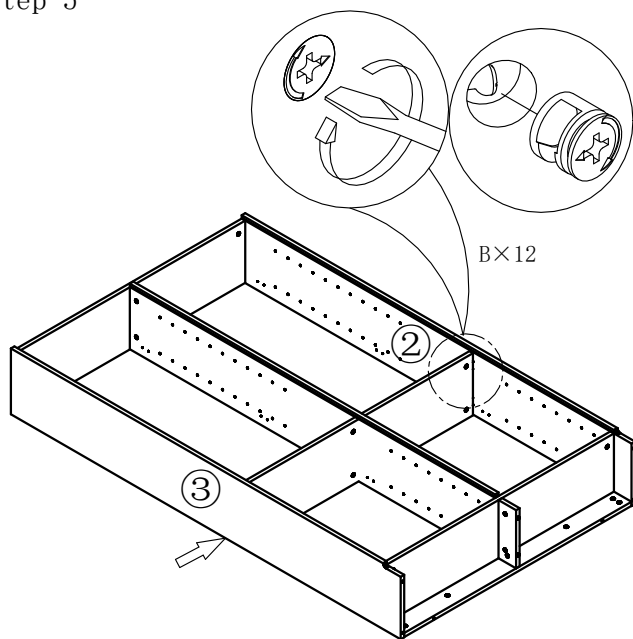
Step 3



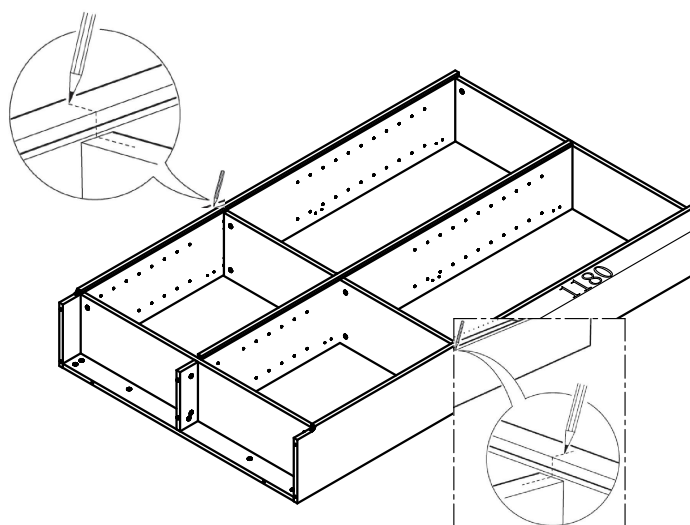
Step 4



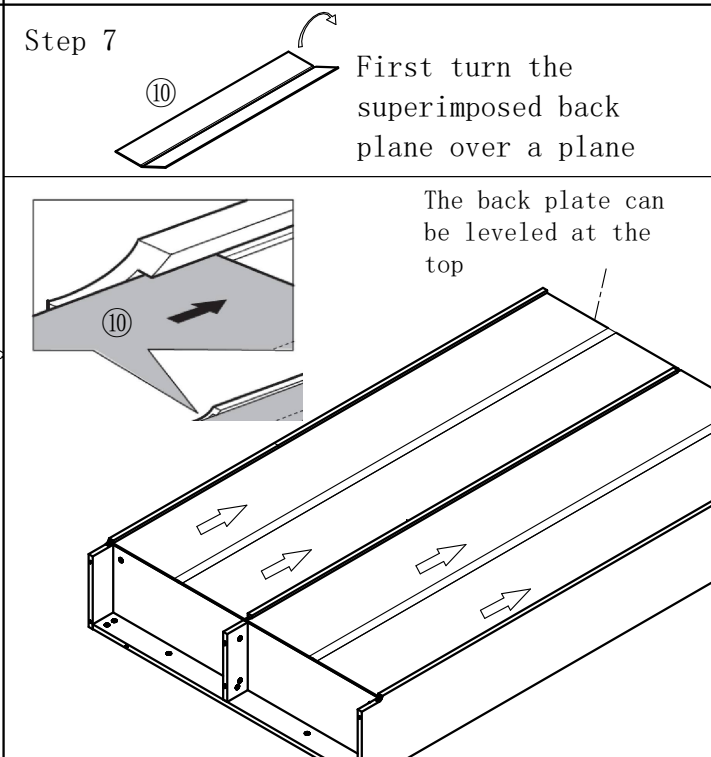
Step 5



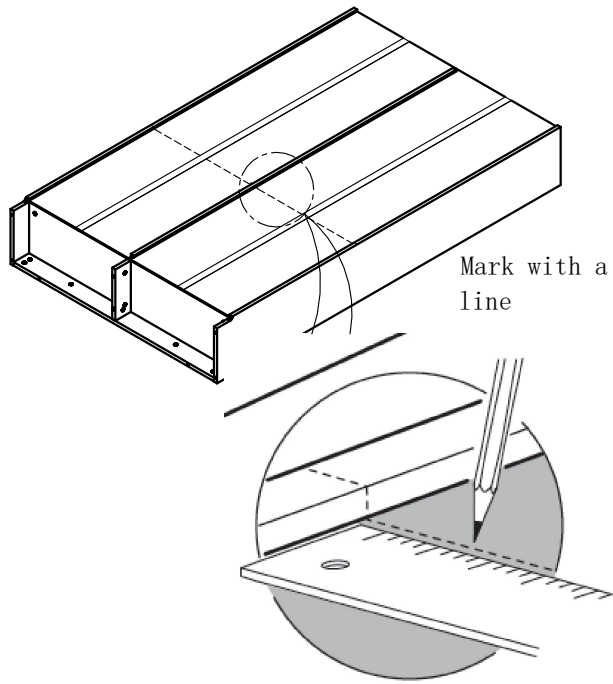
Step 6



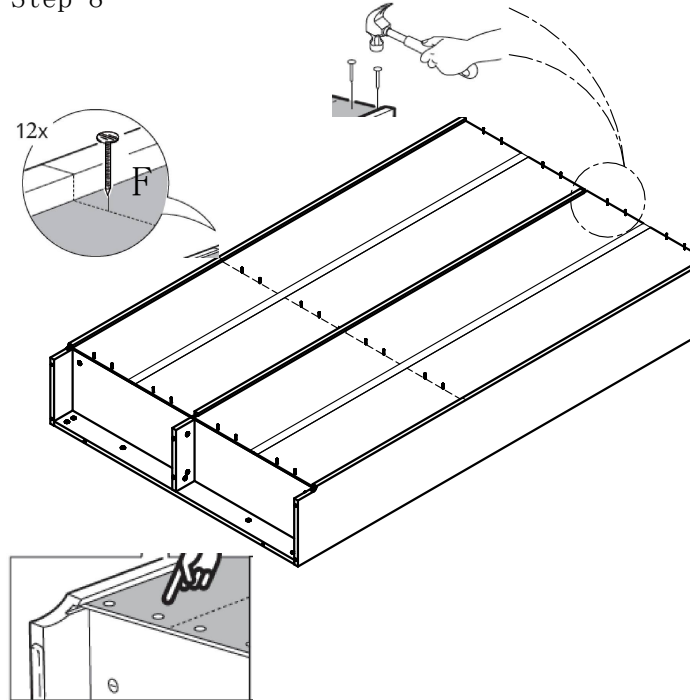
Step 7



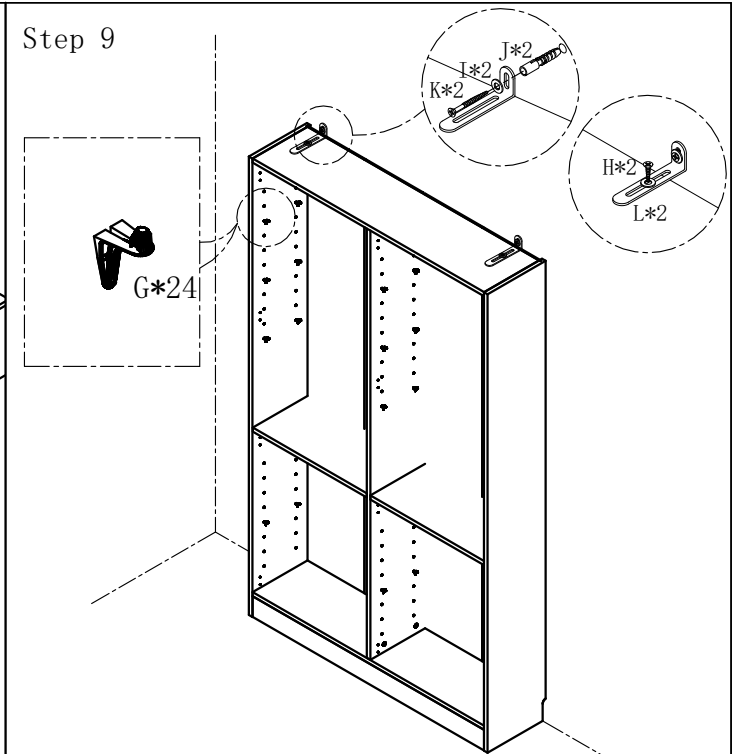
Step 7



Step 8

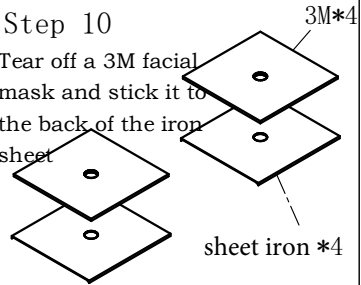


Step 9

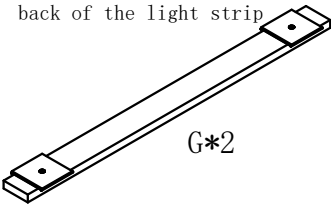


Step 10

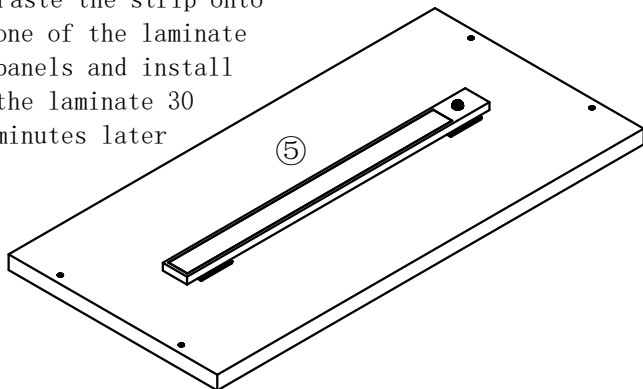
Tear off a 3M facial mask and stick it to the back of the iron sheet



Draw the iron sheet to both ends of the back of the light strip

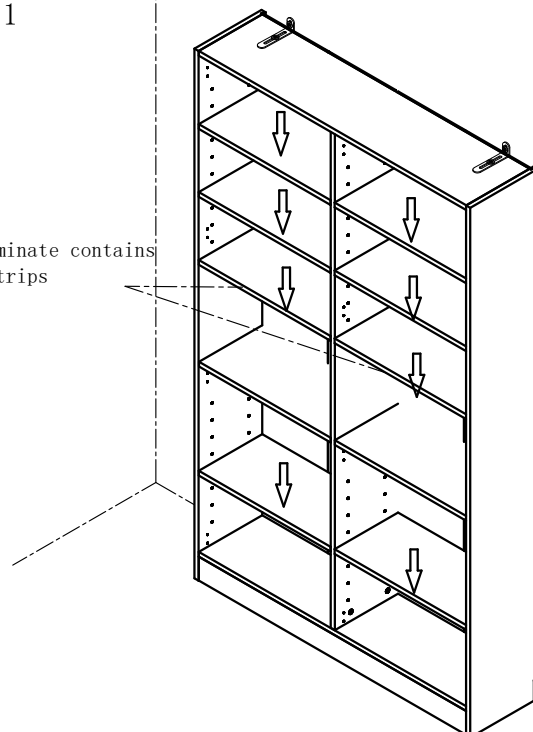


Paste the strip onto one of the laminate panels and install the laminate 30 minutes later



Step 11

This laminate contains light strips



Step 12

