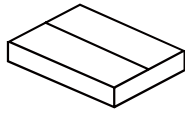
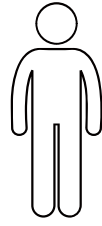




30 min



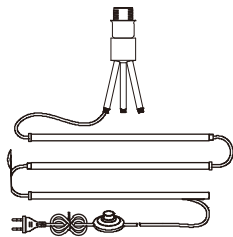
x1



x1



A x 1



B x 1



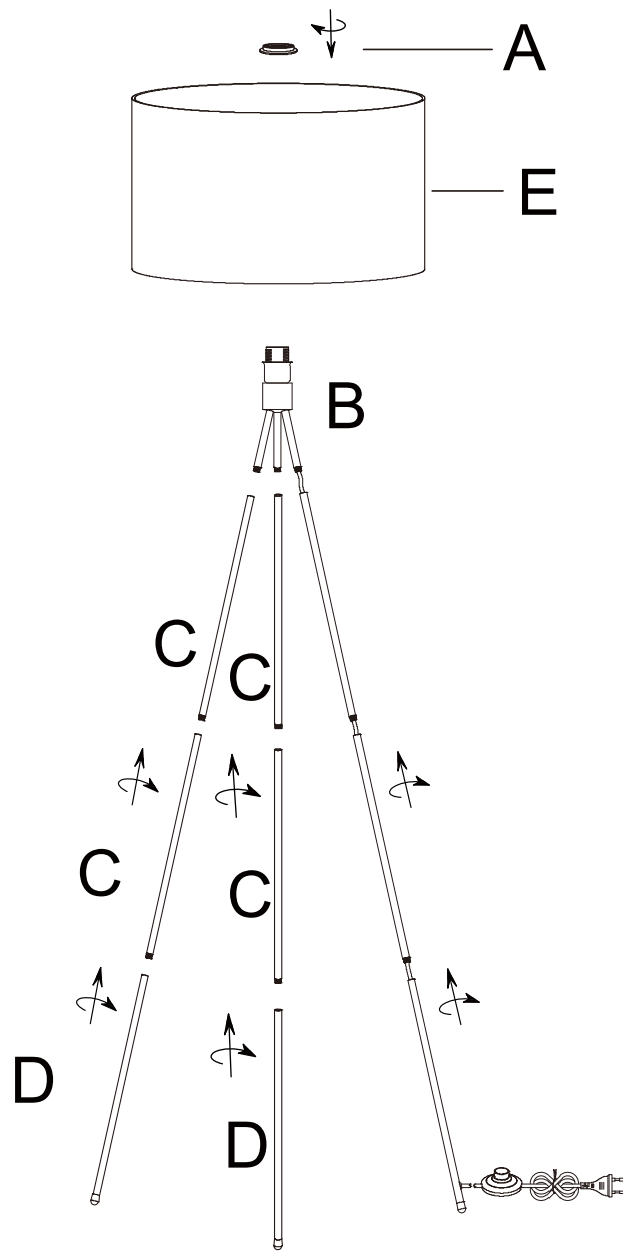
C x 4



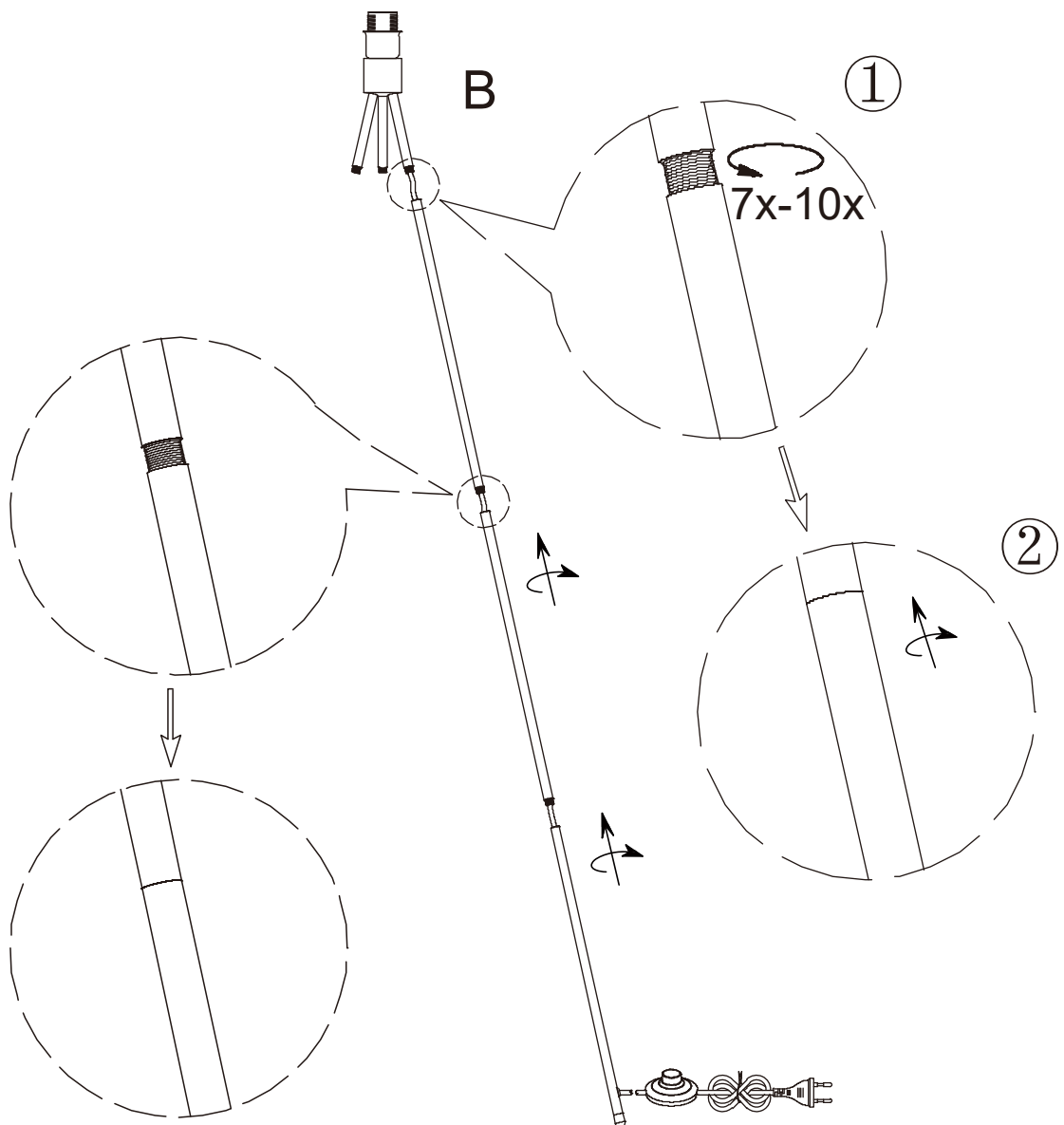
D x 2



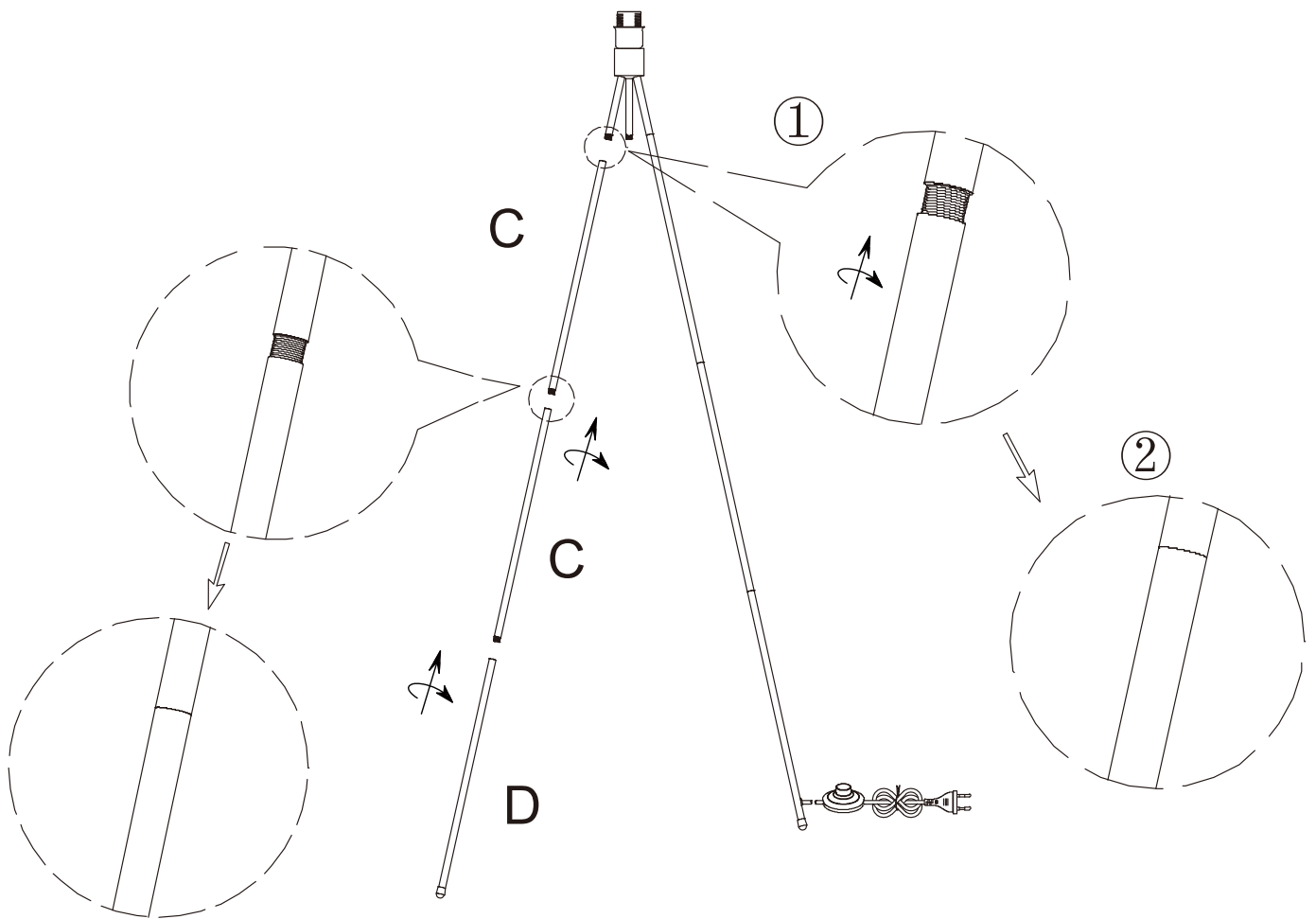
E x 1



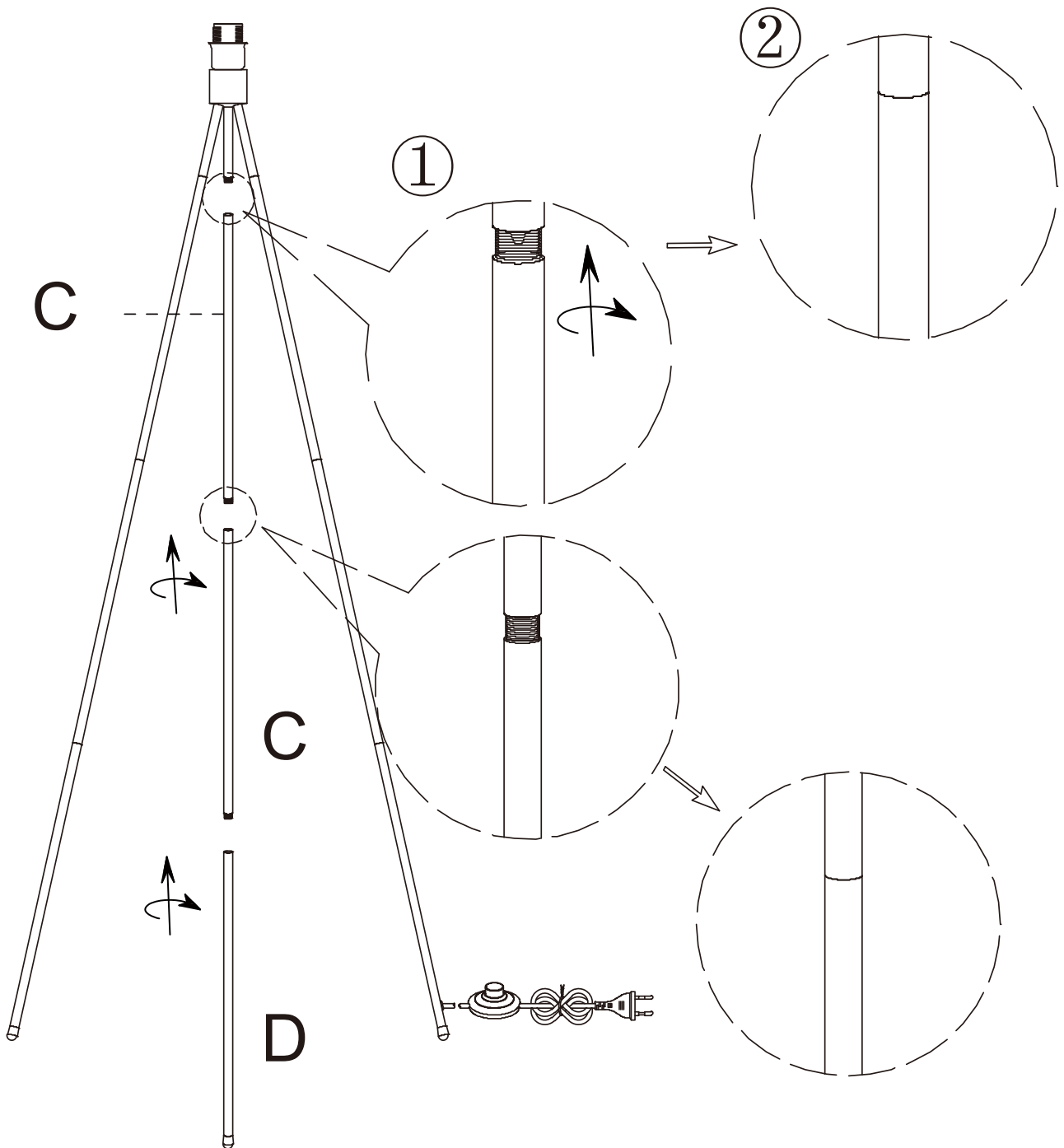
1



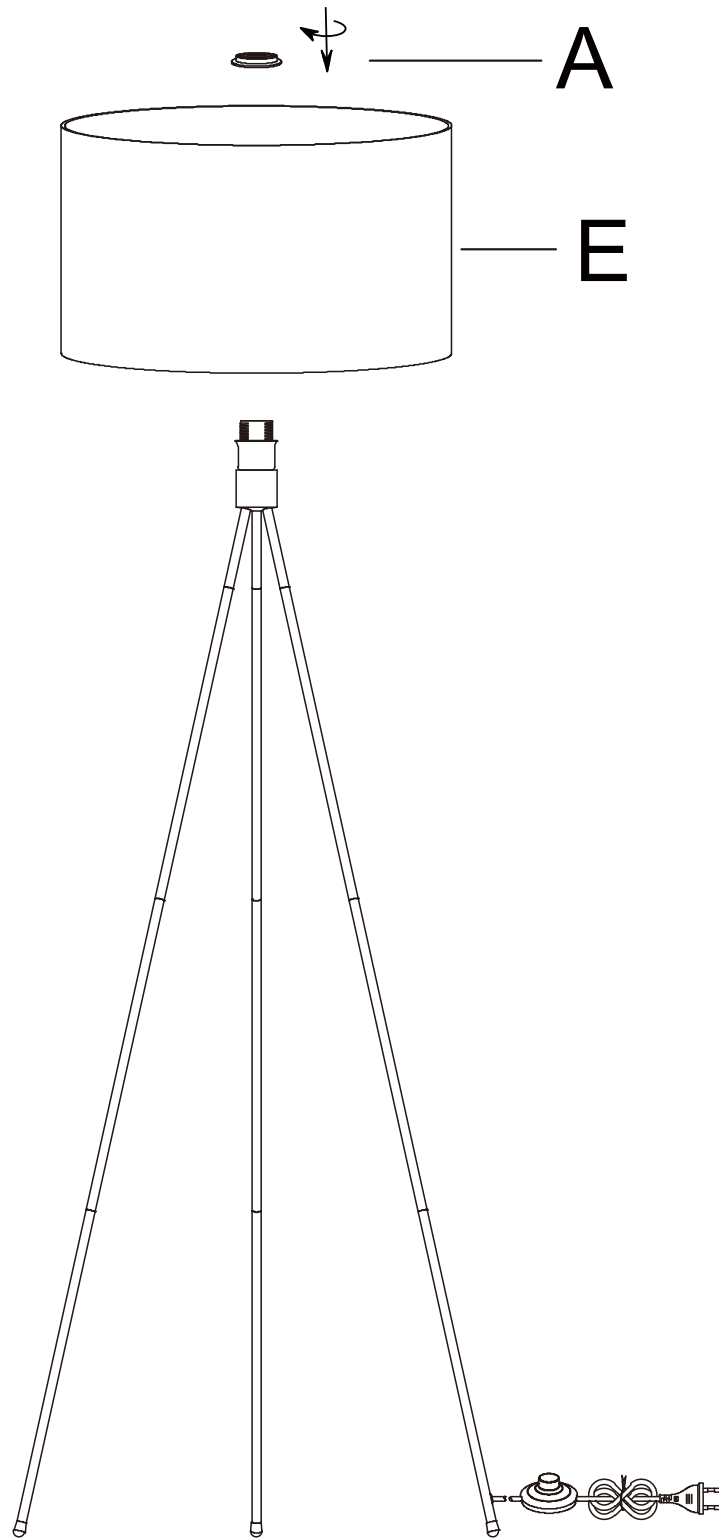
2



3

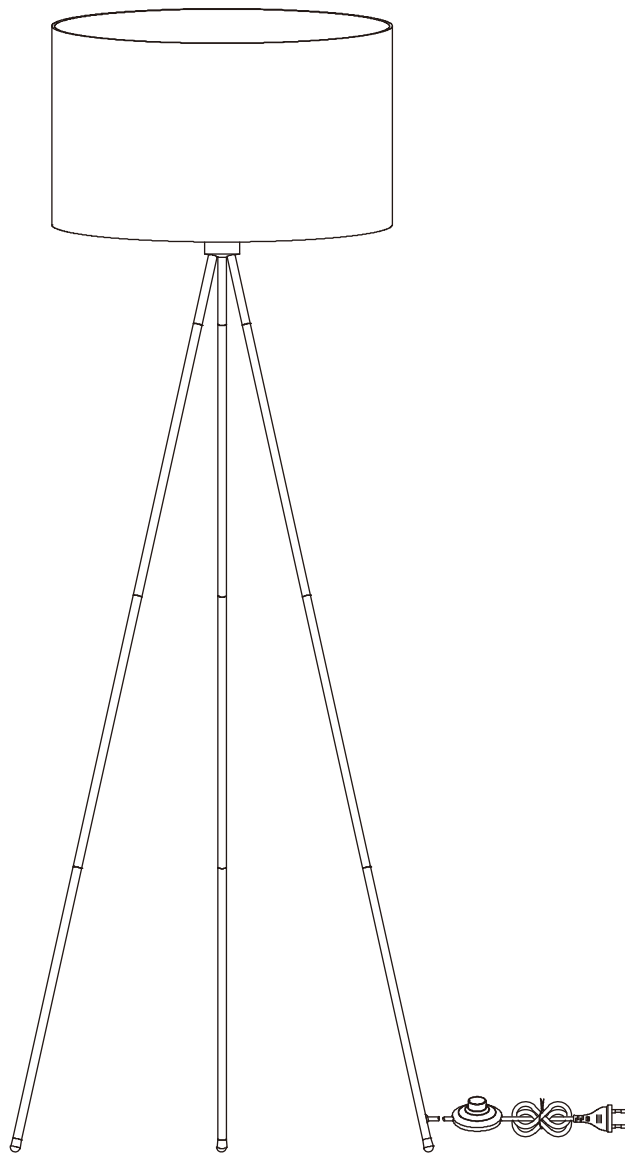


4





5







# THAT'S ALL FOLKS!

Share your style!

## #KaveHome

