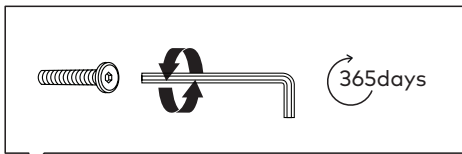
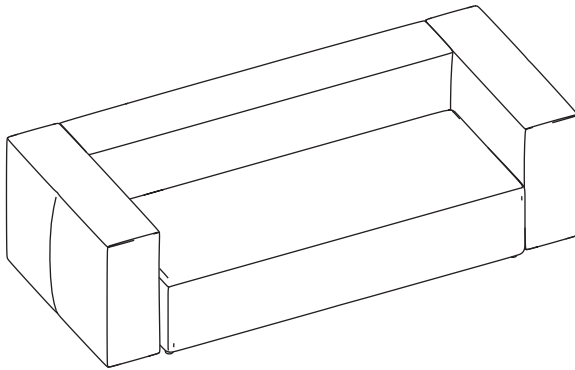
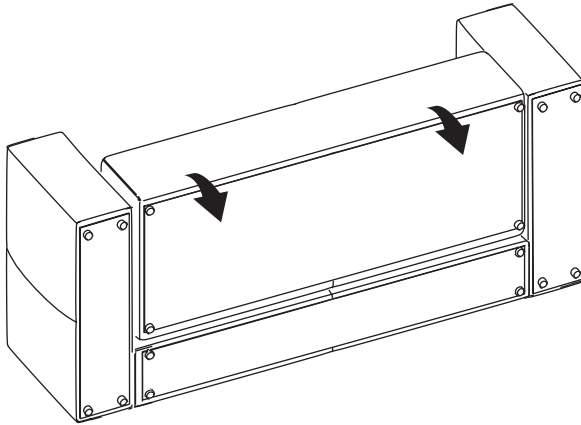
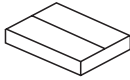


4





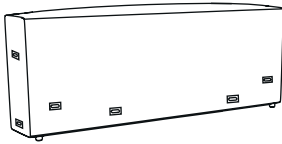
20 min



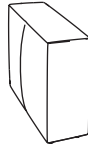
x4



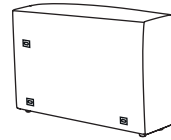
x2



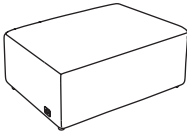
A x1



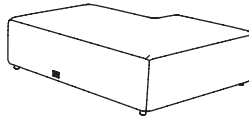
B x1



C x1



D x1



E x1



F x16
M8x90 mm



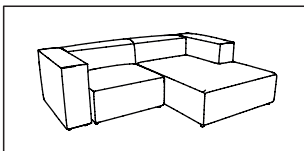
G x32



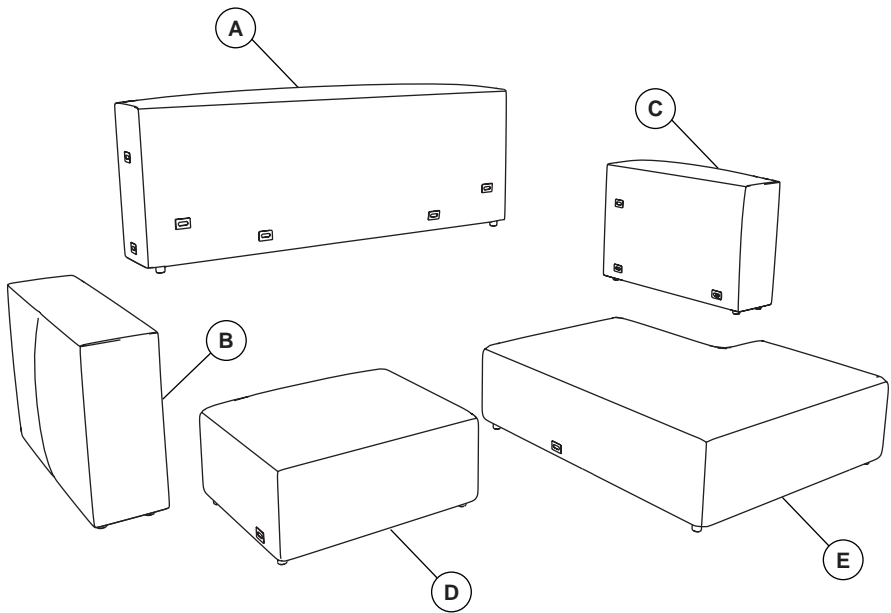
H x16



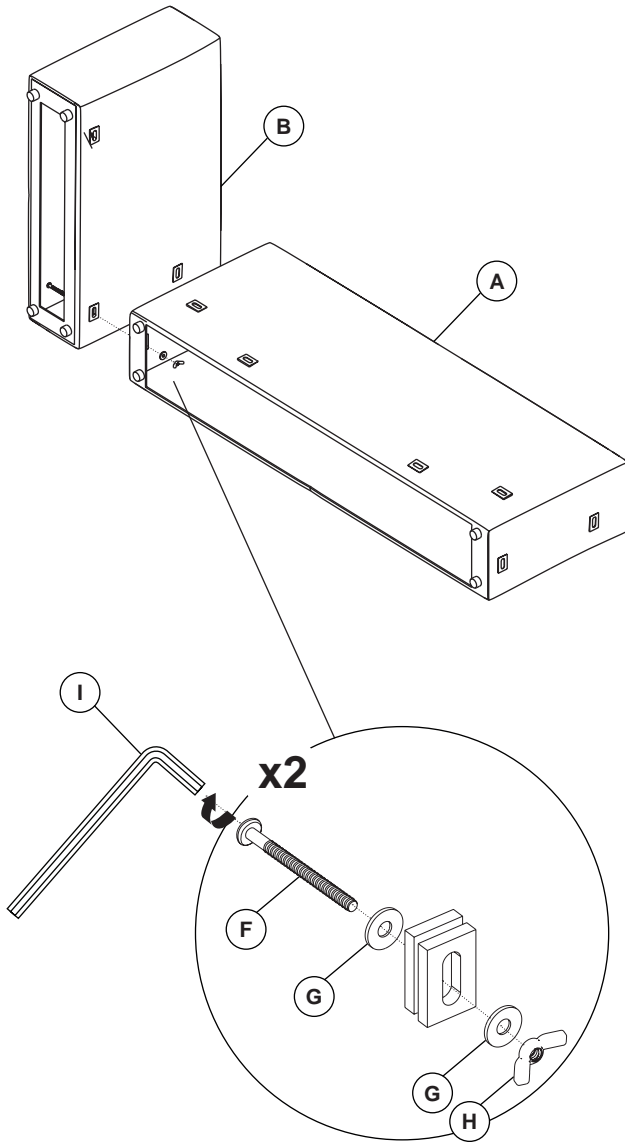
I x1
5 mm



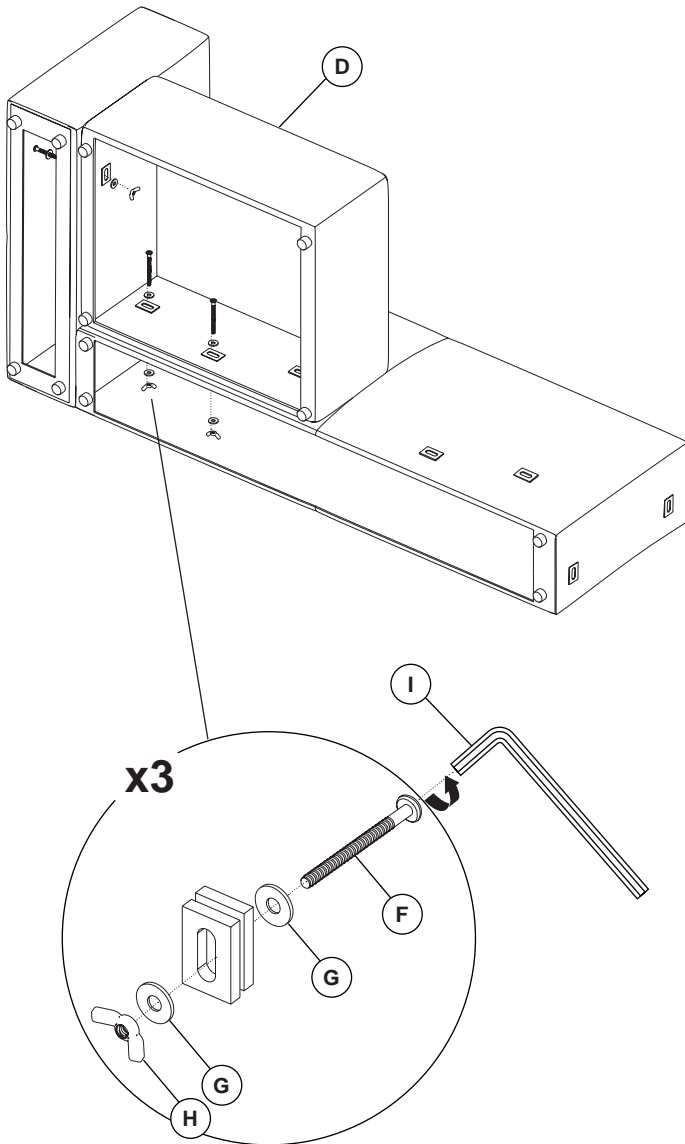
1



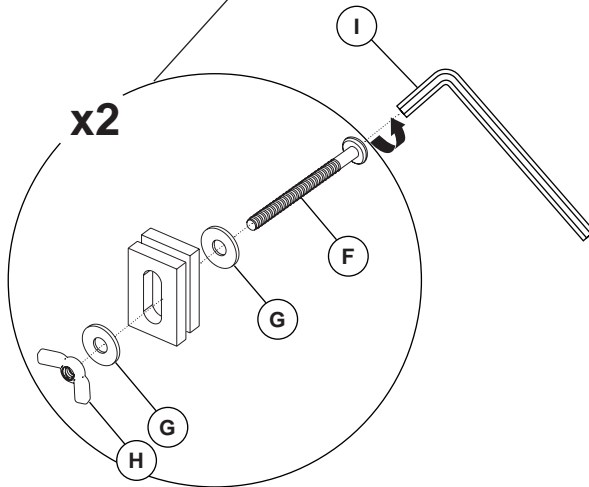
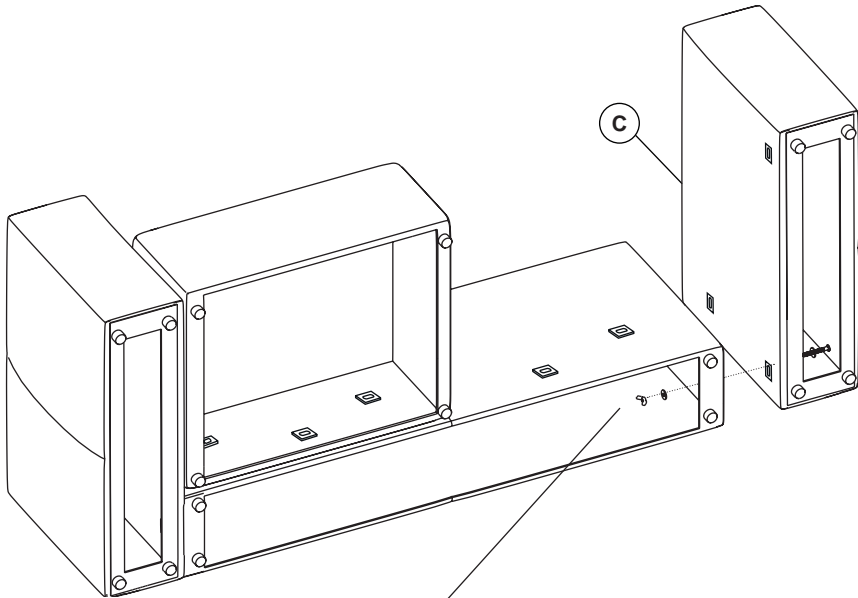
2



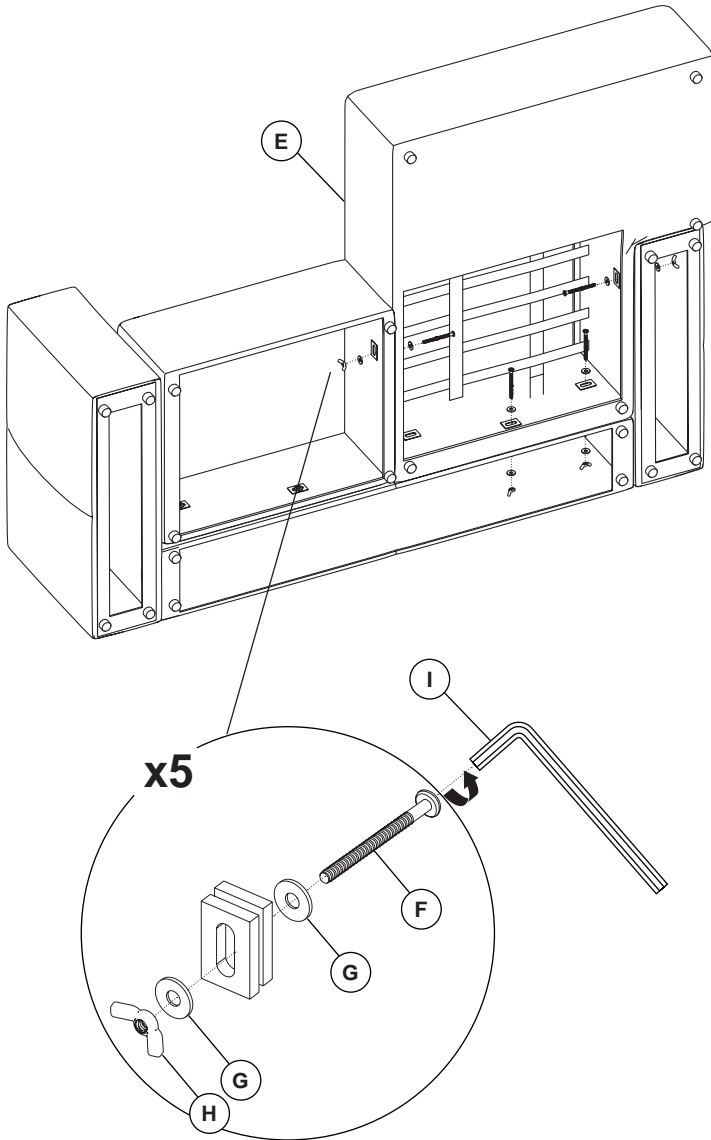
3



4



5



6

