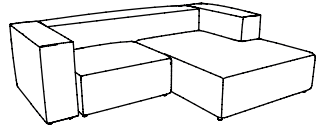
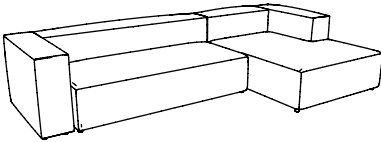


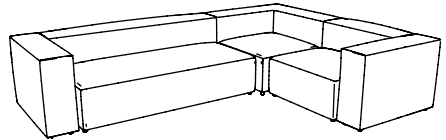
P. 5



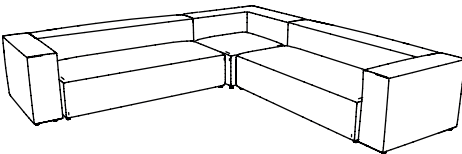
P. 10



P. 17



P. 25

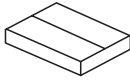


P. 33





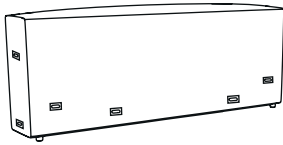
20 min



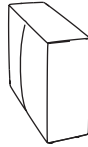
x3



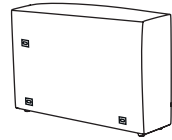
x2



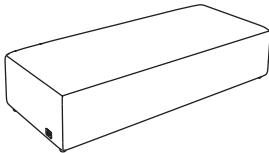
A x1



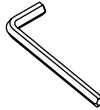
B x1



C x1



D x1



E x1
5 mm



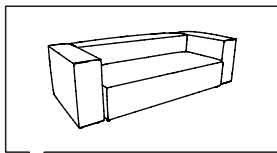
F x16
M8x90 mm



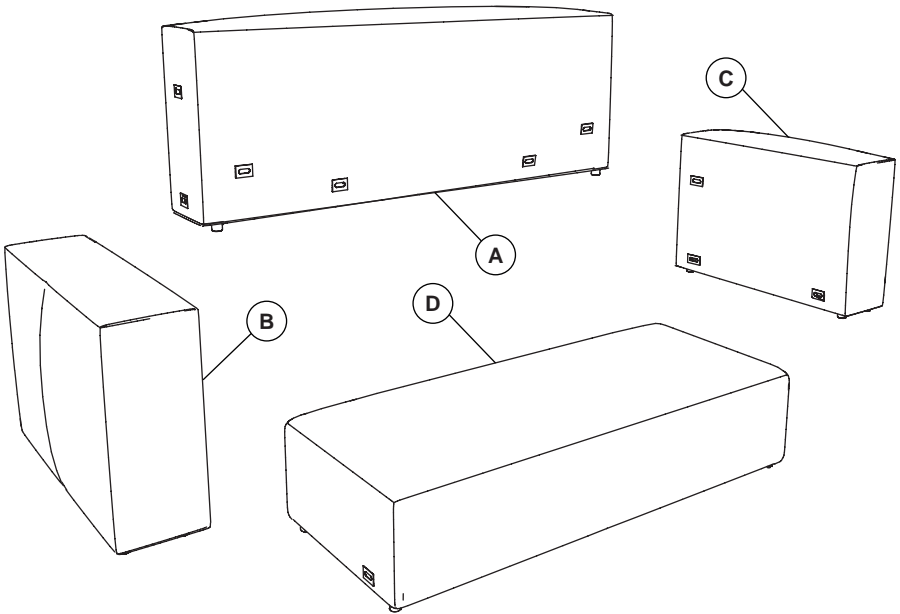
G x32



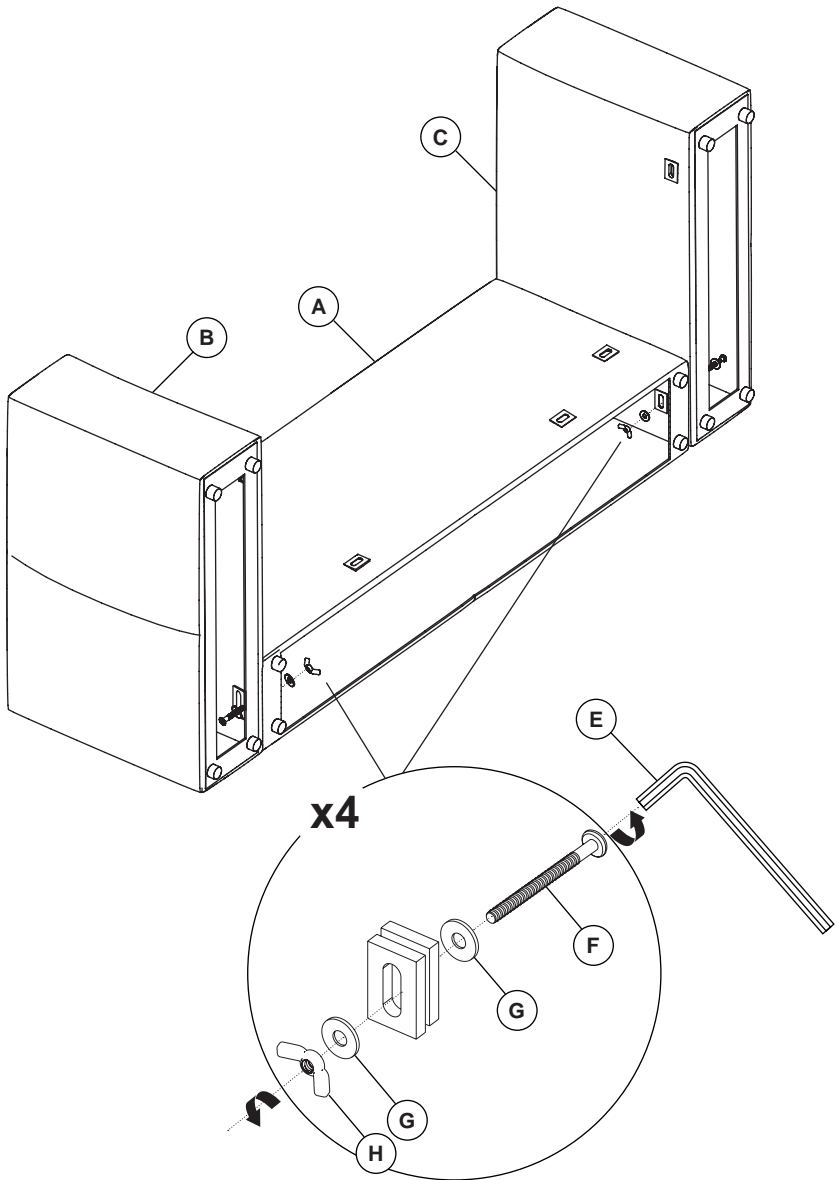
H x16



1



2



3

