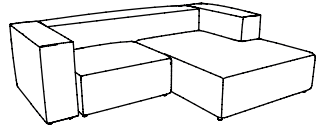
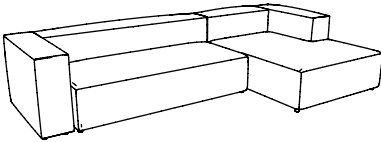


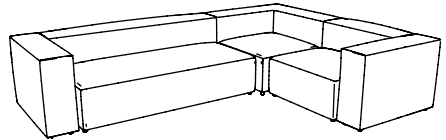
P. 5



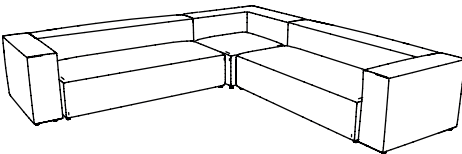
P. 10



P. 17



P. 25

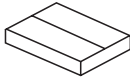


P. 33





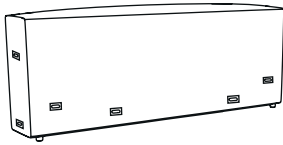
20 min



x3



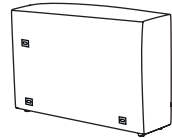
x2



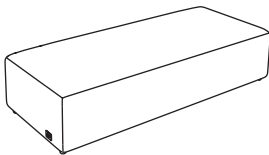
**A** x1



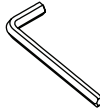
**B** x1



**C** x1



**D** x1



**E** x1  
5 mm



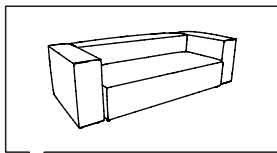
**F** x16  
M8x90 mm



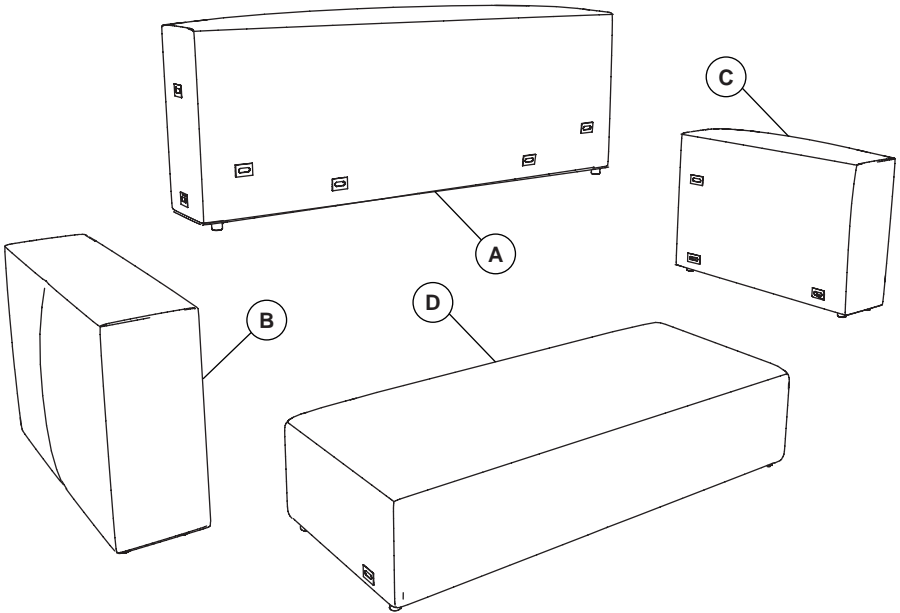
**G** x32



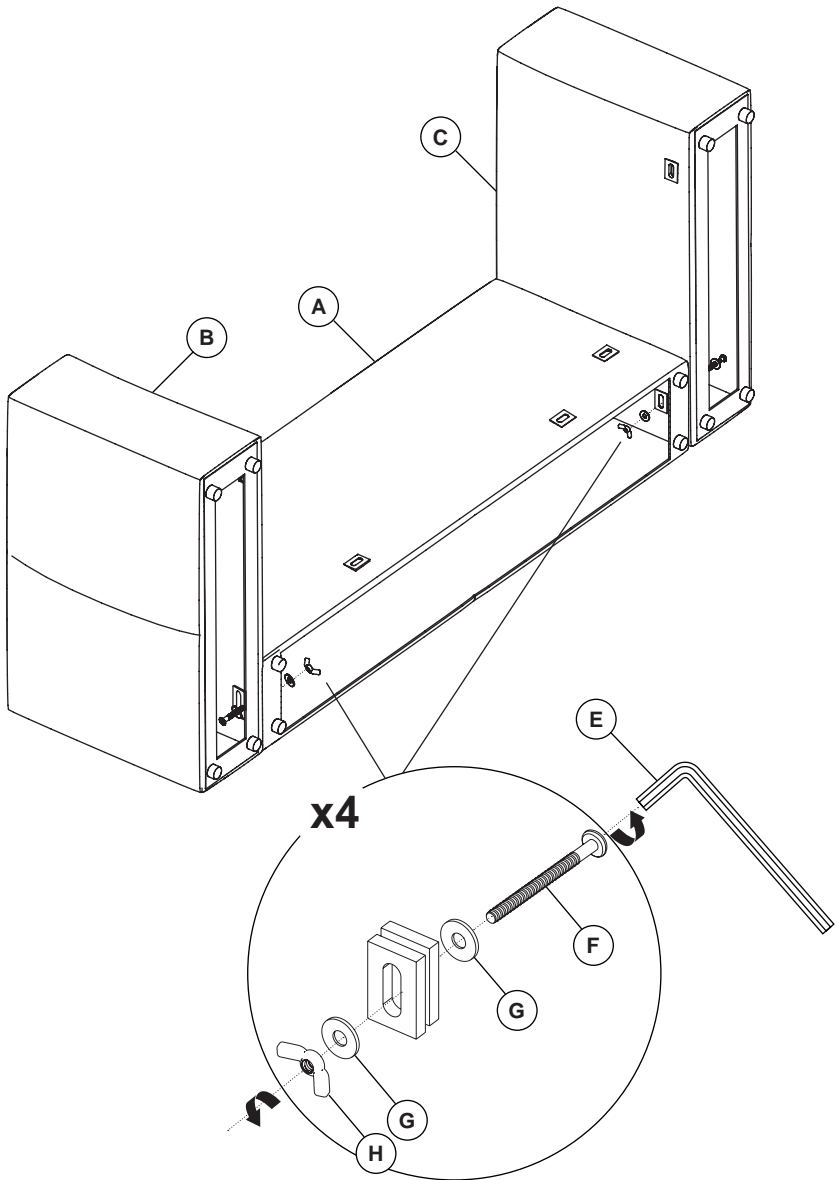
**H** x16



1



2



3

