

# LINSY 林氏家居

## 安装示意图/Assembly Instruction

产品名称 Model NO. PS160-A#

产品规格 Specification 大左单人+右三人+脚踏  
Big Individual(L) + 3seat(R) + Pedal

尺寸组合 Combined size 3010\*1670\*850mm

成品 部件明细 Finished Parts Details	编号 NO.	名称 Name	规格 Specification	数量 QTY	材质 Material
	1	大左单人 Big Individual(L)	1080*1020*850	1	实木+夹板+海绵+皮革+真皮 Solid wood + Plywood + Sponge + Leather + Leather
2	右三人 3seat(R)	1930*1020*850	1	实木+夹板+海绵+皮革+真皮 Solid wood + Plywood + Sponge + Leather + Leather	
3	脚踏 Pedal	710*650*430	1	实木+夹板+海绵+皮革+真皮 Solid wood + Plywood + Sponge + Leather + Leather	

制图 Draw C16

### 配件表 Accessories list

编号 NO.	名称 Name	图示 Icon	数量 QTY	大左单人 Big Individual(L)	右三人 3seat(R)	脚踏 Pedal
A	说明书(含安装图) Mounting Instruction (with drawing)		1	0	1	0
B	脚-(60*60*150mm)五金脚-01 Foot - (60*60*150mm) hardware foot - 01		12	4	4	4
C	M8*20斜边十字螺栓 M8*20 bevel cross bolt		36	12	12	12
D	M8垫片 M8 pad		24	8	8	8
E	直径30*145-160mm可调一字五金脚 diameter 30*145-160mm Adjustable metal foot		2	0	2	0
F	M8*45mm双头螺杆 Double screw M8*45MM		2	0	2	0
G	4分双勾么术布条70CM 4 points double hook cloth 70CM		3	1	2	0

如何区分沙发的左右方向?  
How to zone the left and right direction of the sofa?

(图示仅供分辨方向用/Picture are for orientation only)



安装人数  
Installer



充电式手电钻Cordless hand drill

或者Or

十字螺丝刀Phillips screwdriver

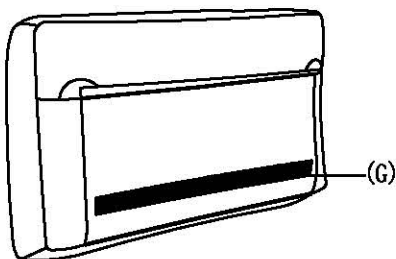
客户安装前须知:

Customers need to know before installation:  
此安装图为“大左单人+右三人+脚踏”的位置关系。  
This installation picture is "Big Individual(L) + 3seat(R) + Pedal"

2-1

### 靠包\*3 On package\*3

STEP 1:



注: 靠包背面要粘贴上4分双勾么术布条70cm  
Note:  
The back of the bag should be pasted with a 4-cent double hook cloth 70cm

### STEP 1: 大左单人 Big Individual(L)

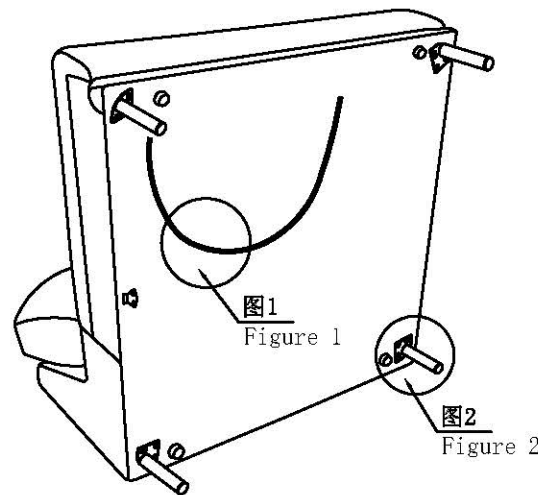


图1: 拉开拉链, 取出配件箱  
Figure 1: Unzip the accessory case

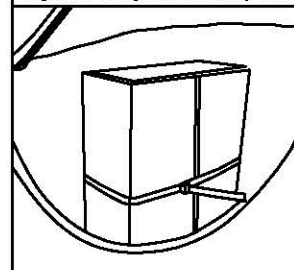


图2: 边脚安装示意图  
Figure 2: Side and foot installation diagram

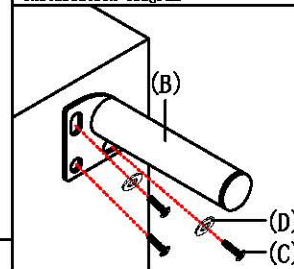
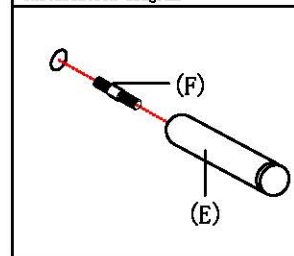
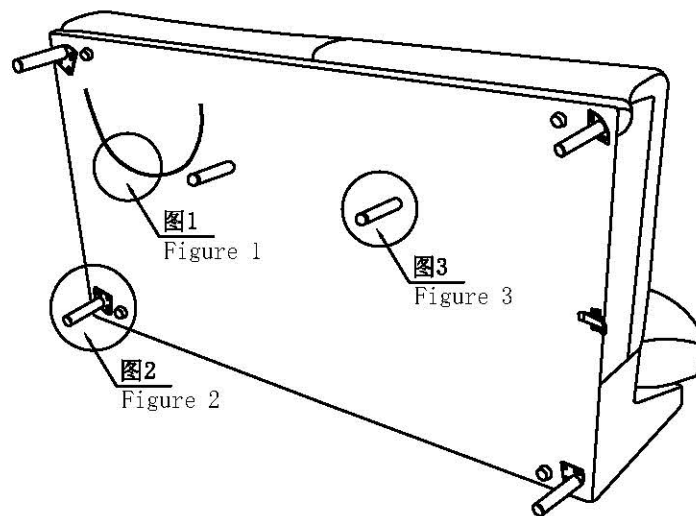


图3: 中脚安装示意图  
Figure 3: Middle foot installation diagram



### 右三人 3seat(R)

STEP 1:



### 脚踏 Pedal

STEP 1:

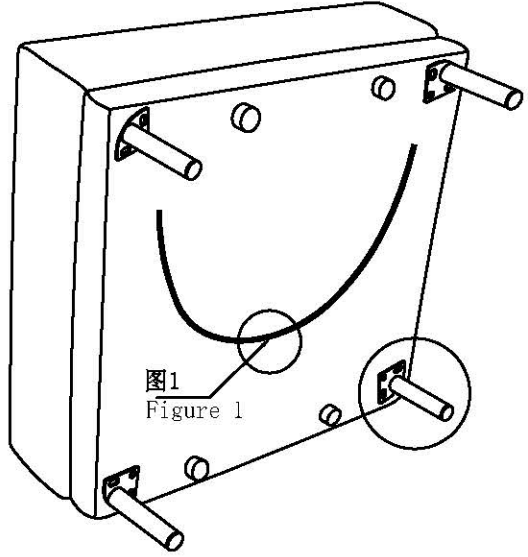


图1  
Figure 1

图1: 拉开拉链, 取出配件箱  
Figure 1: Unzip the accessory case

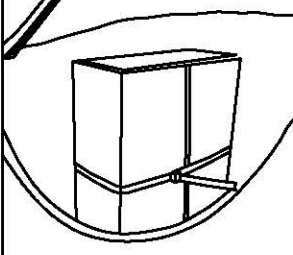
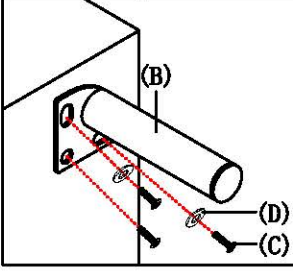
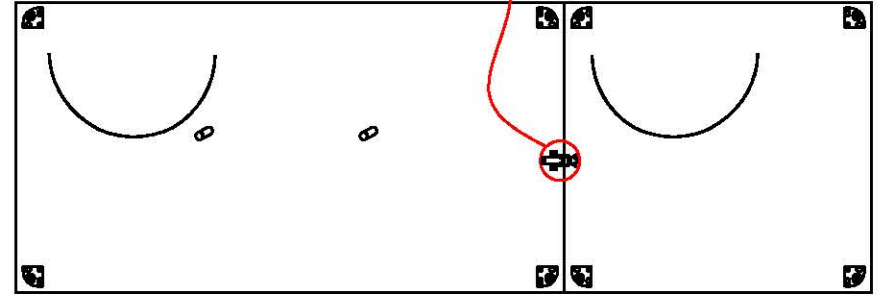
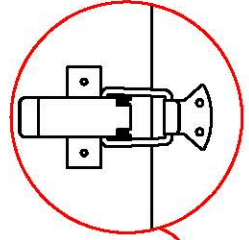


图2: 边脚安装示意图  
Figure 2: Side and foot installation diagram



### 组合 Combination

挂扣



把大左单人、右三人靠一起, 锁上座架底的五金扣。  
Put the Big Individual(L) and the 3seat(R) together,  
and lock the metal buckle at the bottom of the seat frame.

### 组合图 Combination

大左单人+右三人+脚踏 Big Individual(L) + 3seat(R) + Pedal

