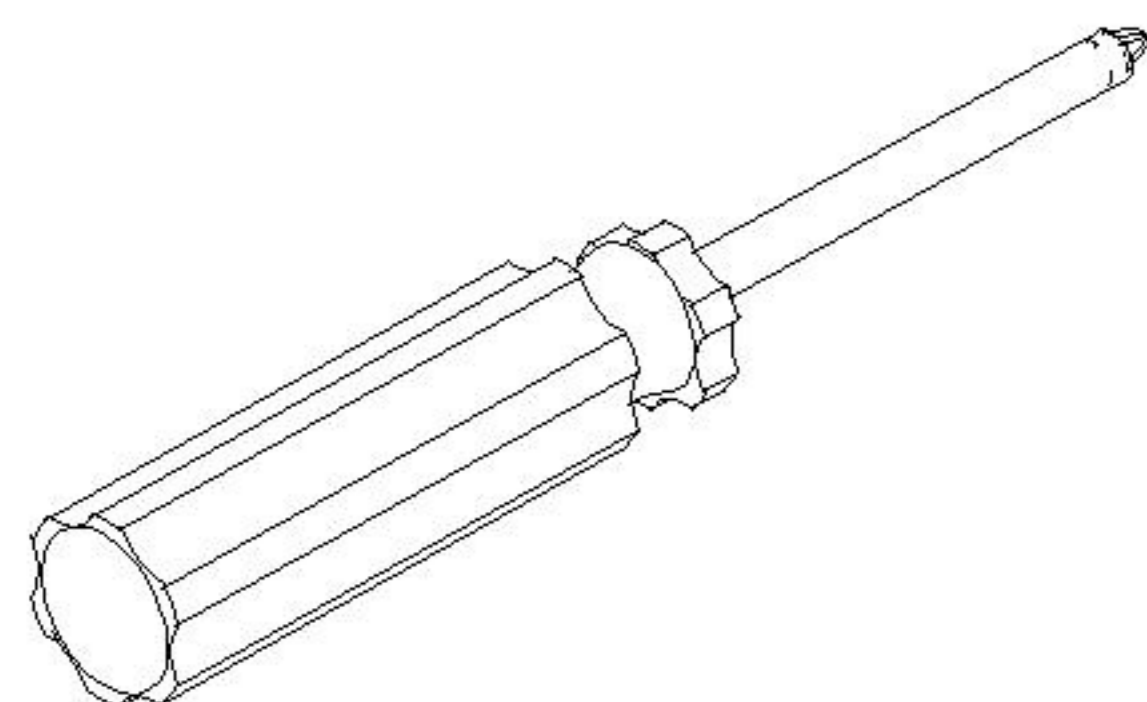
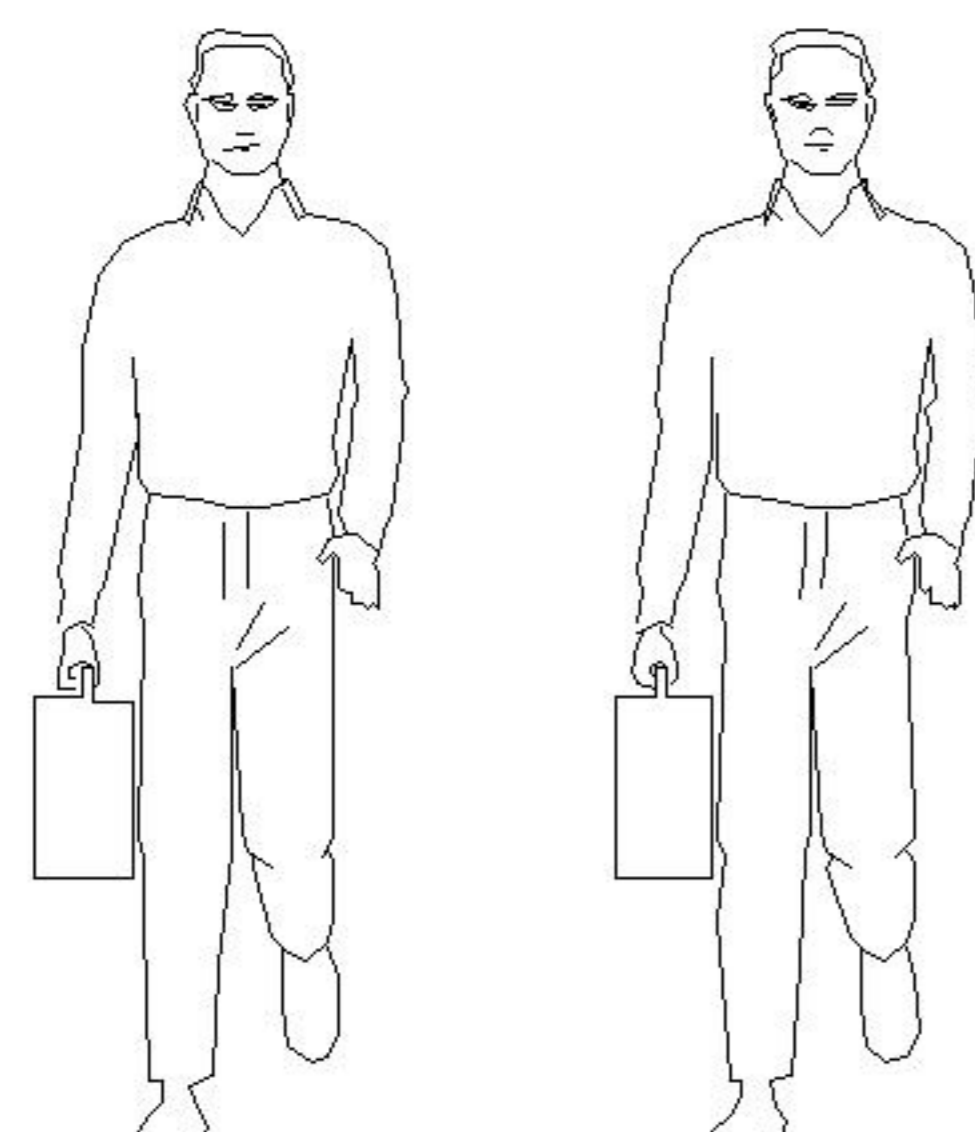


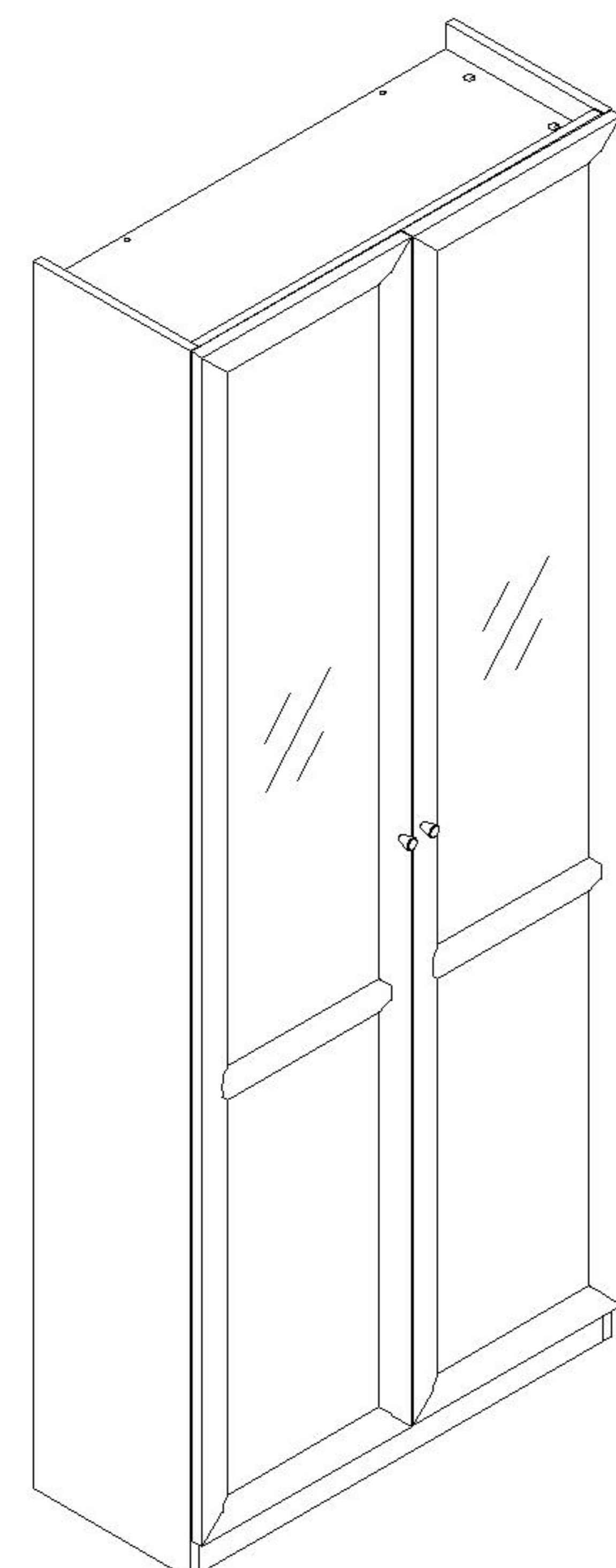
LINSY 林氏家居

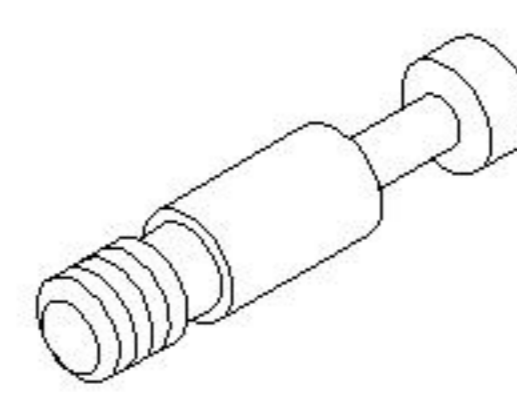
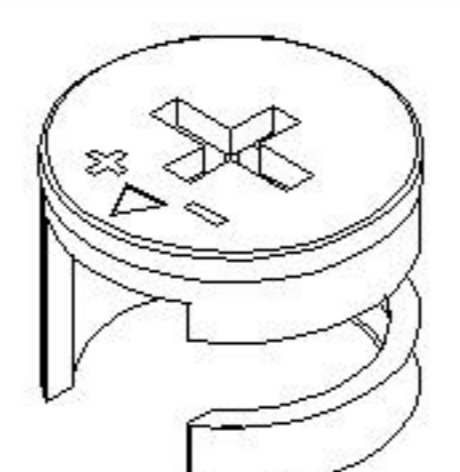
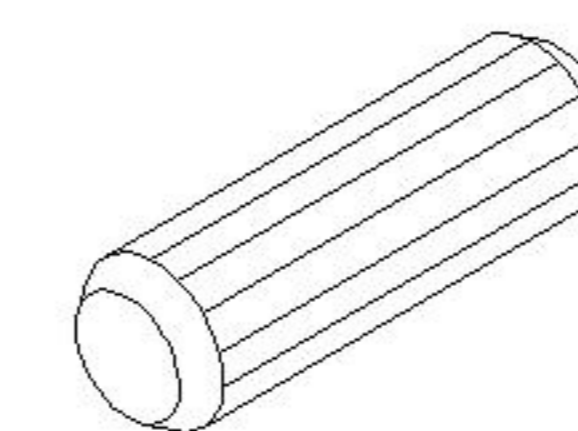
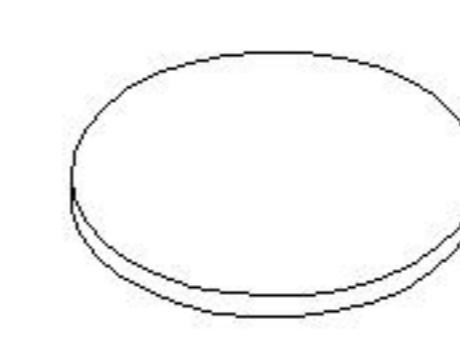
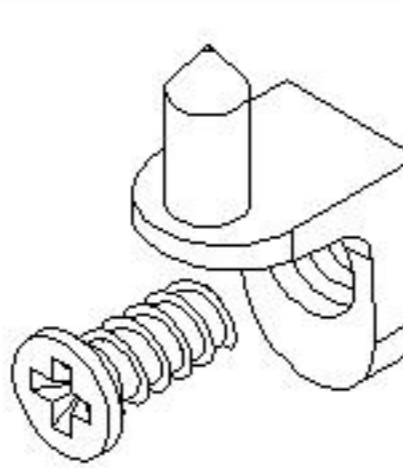
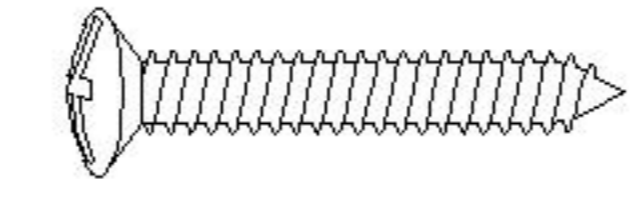
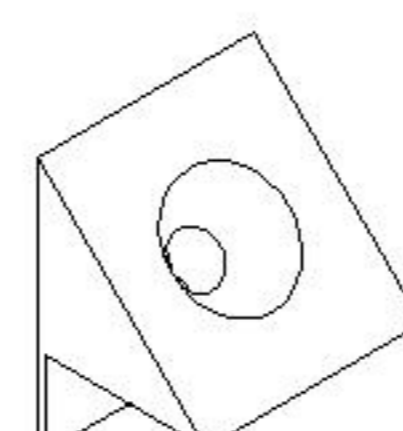
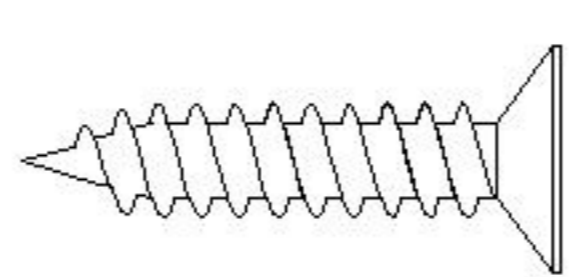
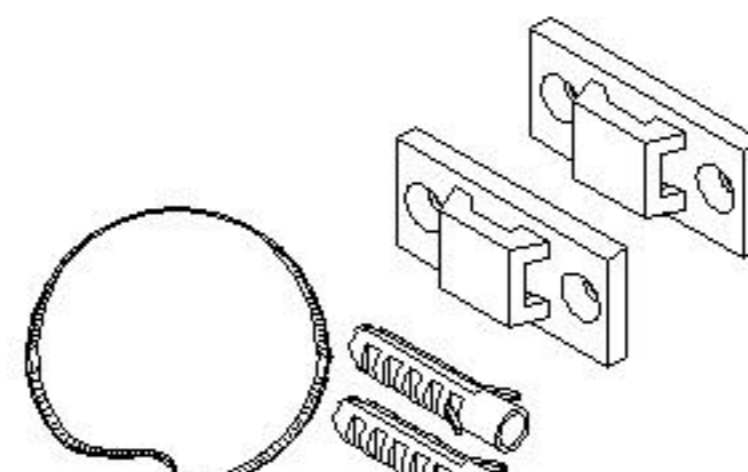
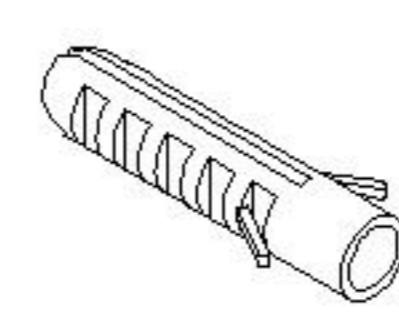
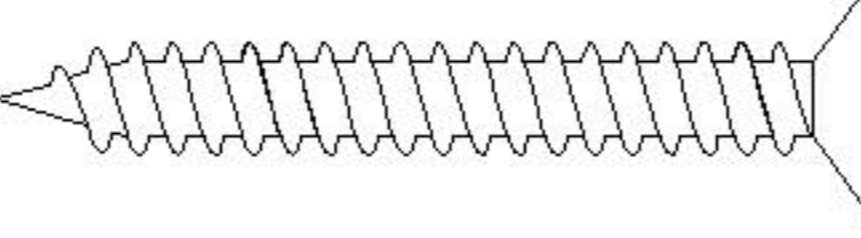
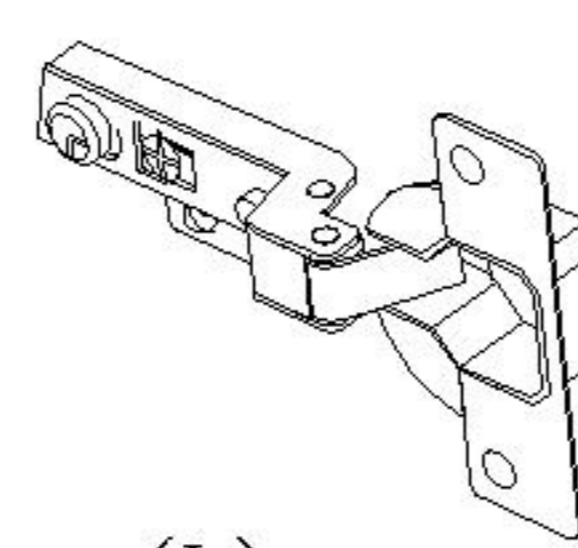
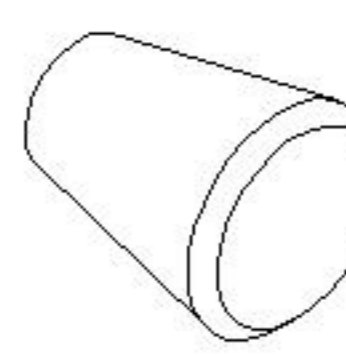
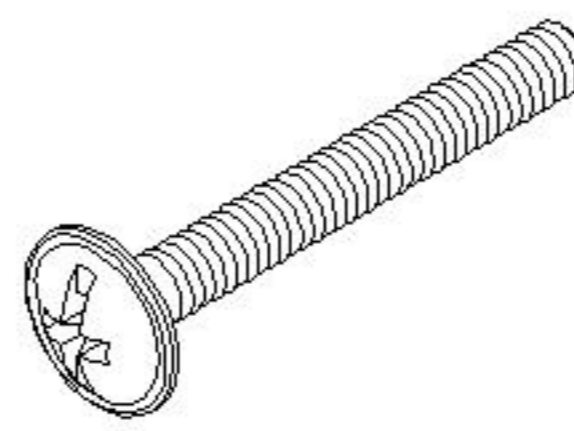
五金表/Hardware list

部件表/Parts List

安装示意图/Assembly Instruction

产品名称 Model NO.	NG11X-A
产品规格 Specification	796*341*2016mm
安装工具 Tool	安装人数 Installer
	

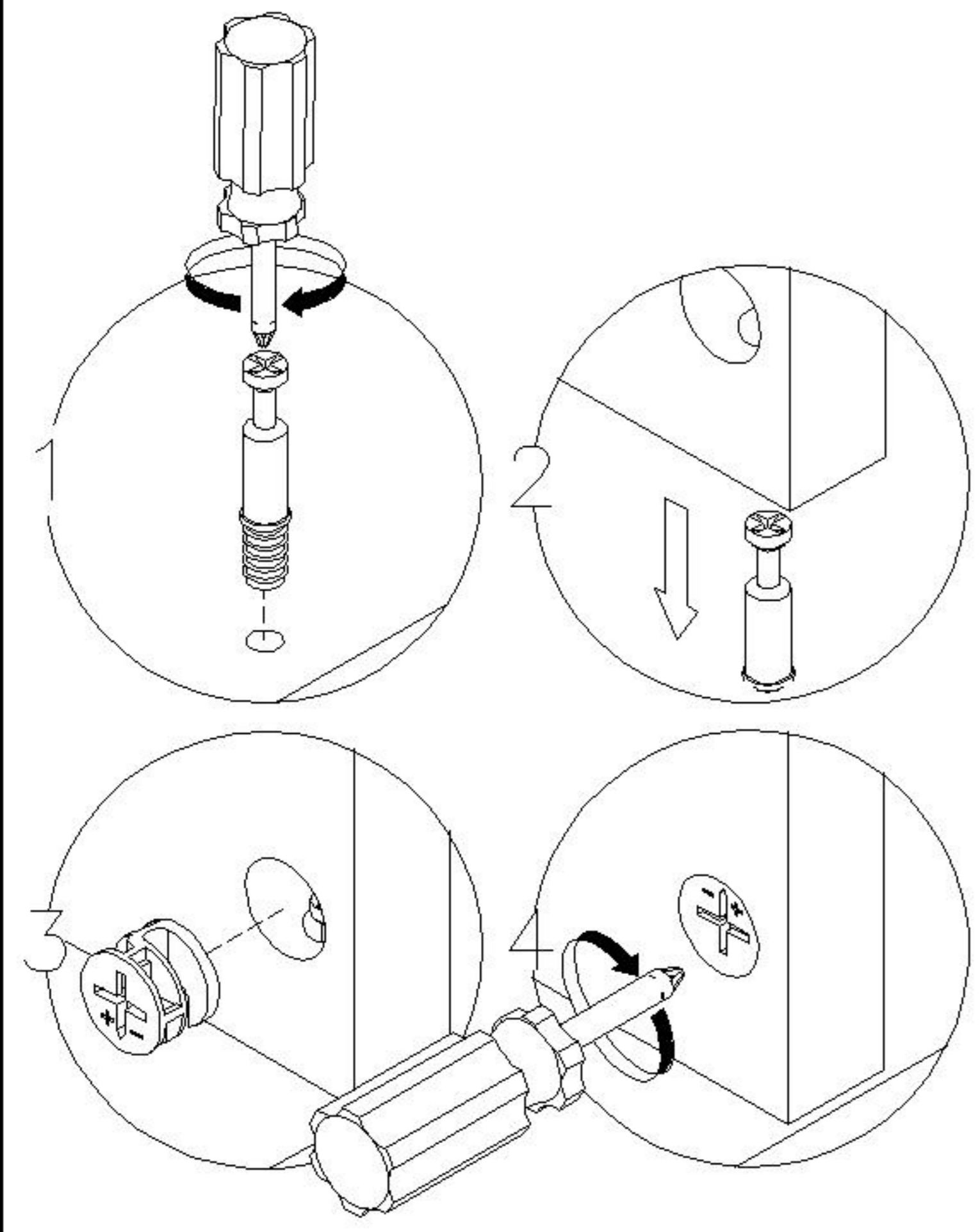


 (A)* 23 二合一螺杆(35mm) 2 in 1 screw	 (B)* 23 大三合一锁饼(15mm) Three in one large lock	 (C)* 15 木榫08x30mm wood tenon	 (D)* 6 脚垫-灰色 Footrest Grey
 (E)* 8 层板托5mm shelf support	 (F)* 8 自攻大扁M4*16mm Self tapping flat screw	 (G)* 8 背板扣 Back Plate Buckle-White	 (H)* 8 自攻螺丝M3.5x16mm Self-tapping screw
 (I)* 2 家具防倒器-白色 Anti-fall device white	 (J)* 2 膨胀胶粒 Expanded rubber particles	 (K)* 2 自攻螺丝M4x60mm Self-tapping screw	 (L)* 8 缓冲门铰直弯-杯径035 Hinge-straight bending-diameter 35
 (M)* 2 圆拉手 Round handle	 (N)* 2 拉手螺丝-M4x28mm pulling screw		

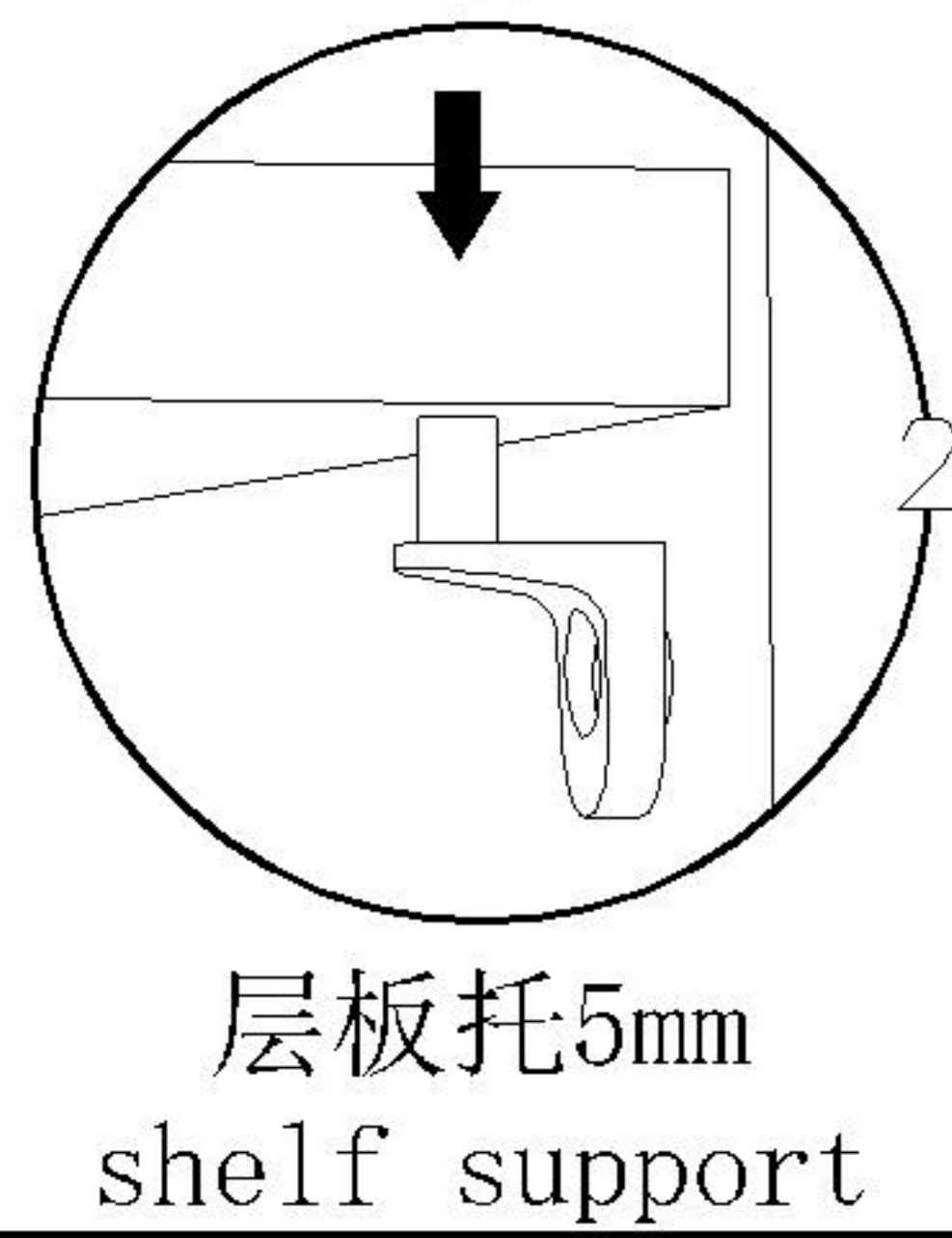
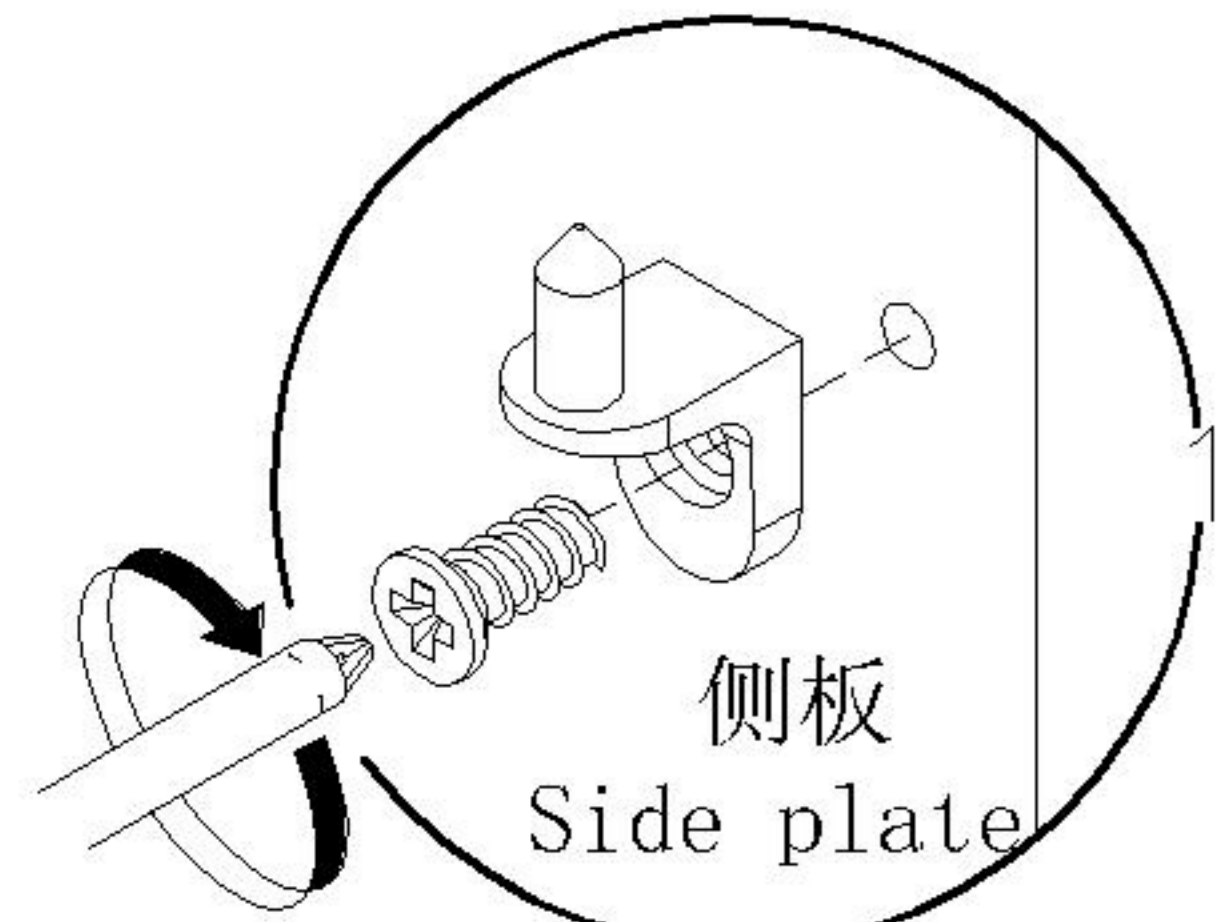
编号NO.	名称Name	规格 (mm) Specification	数量QTY	材质Material
①	双列书柜基础柜Double row bookcase foundation cabinet	796*298*2016	1	
1-1	左侧板Side board (L)	2013*298*15	1	三胺板 Melamine
1-2	右侧板Side board (R)	2013*298*15	1	三胺板 Melamine
1-3	顶底板roof and floor	766*282*15	2	三胺板 Melamine
1-4	背板Back board	1892*388*5	2	三胺板 Melamine
1-5	上拉条Top brace	766*58*15	1	三胺板 Melamine
1-6	下拉条Bottom brace	766*73*15	1	三胺板 Melamine
1-7	立水Apron	766*58*15	1	三胺板 Melamine
②	层板2(四块层板) Layer 2 (four layers)	766*275*72	1	
2-1	固定层板Fixed shelf	766*275*18	2	三胺板 Melamine
2-2	活动层板Movable shelf	765*275*18	2	三胺板 Melamine
③	双门门板(原木色) Double door panel (Log color)	1950*396*42	1	
3-1	左门板Door board (L)	1950*396*21	1	三胺板+PS塑料 Melamine+PS plastics
3-2	右门板Door board (R)	1950*396*21	1	三胺板+PS塑料 Melamine+PS plastics

NG11X-A

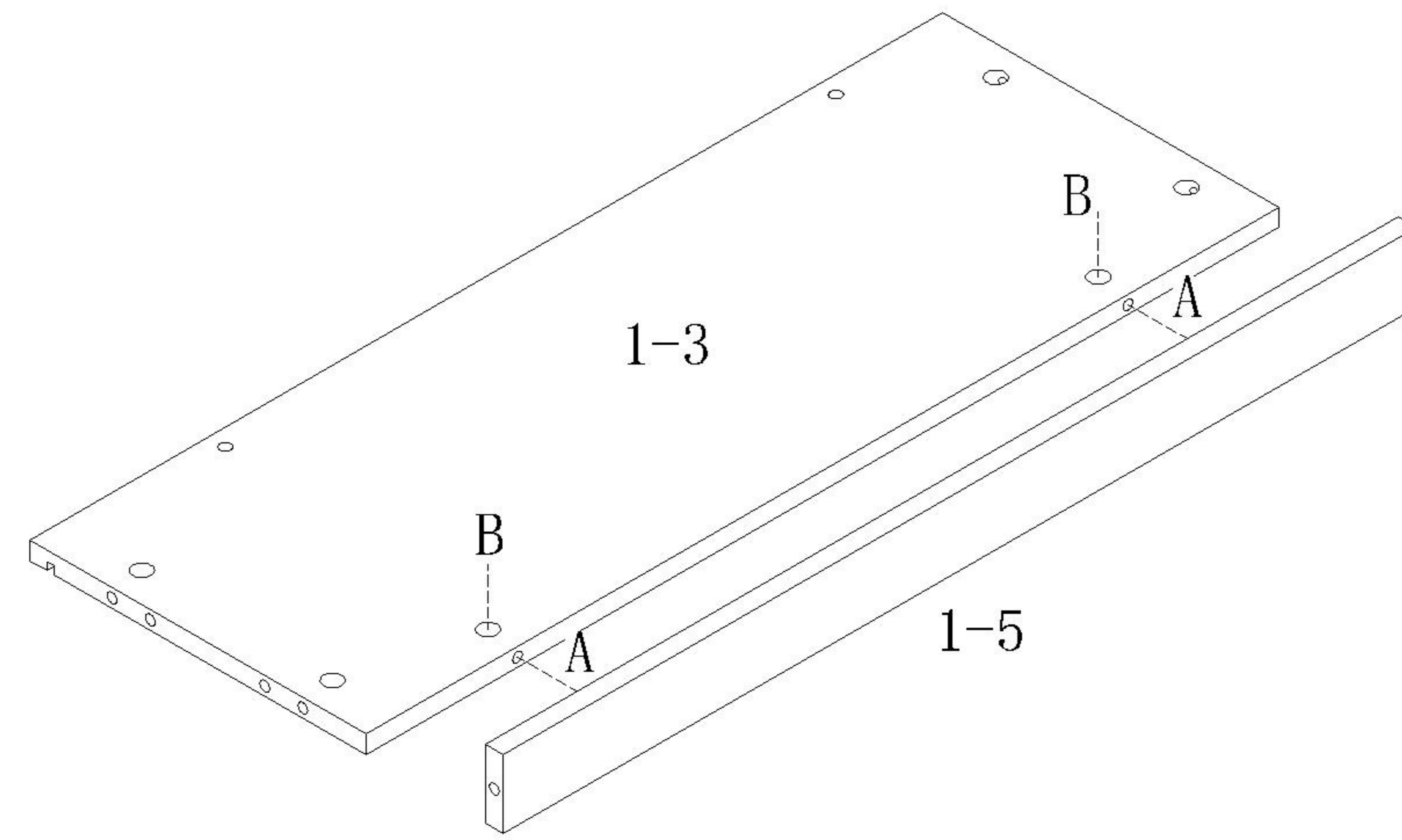
安装方法/
Installation method



二合一 two-in-one

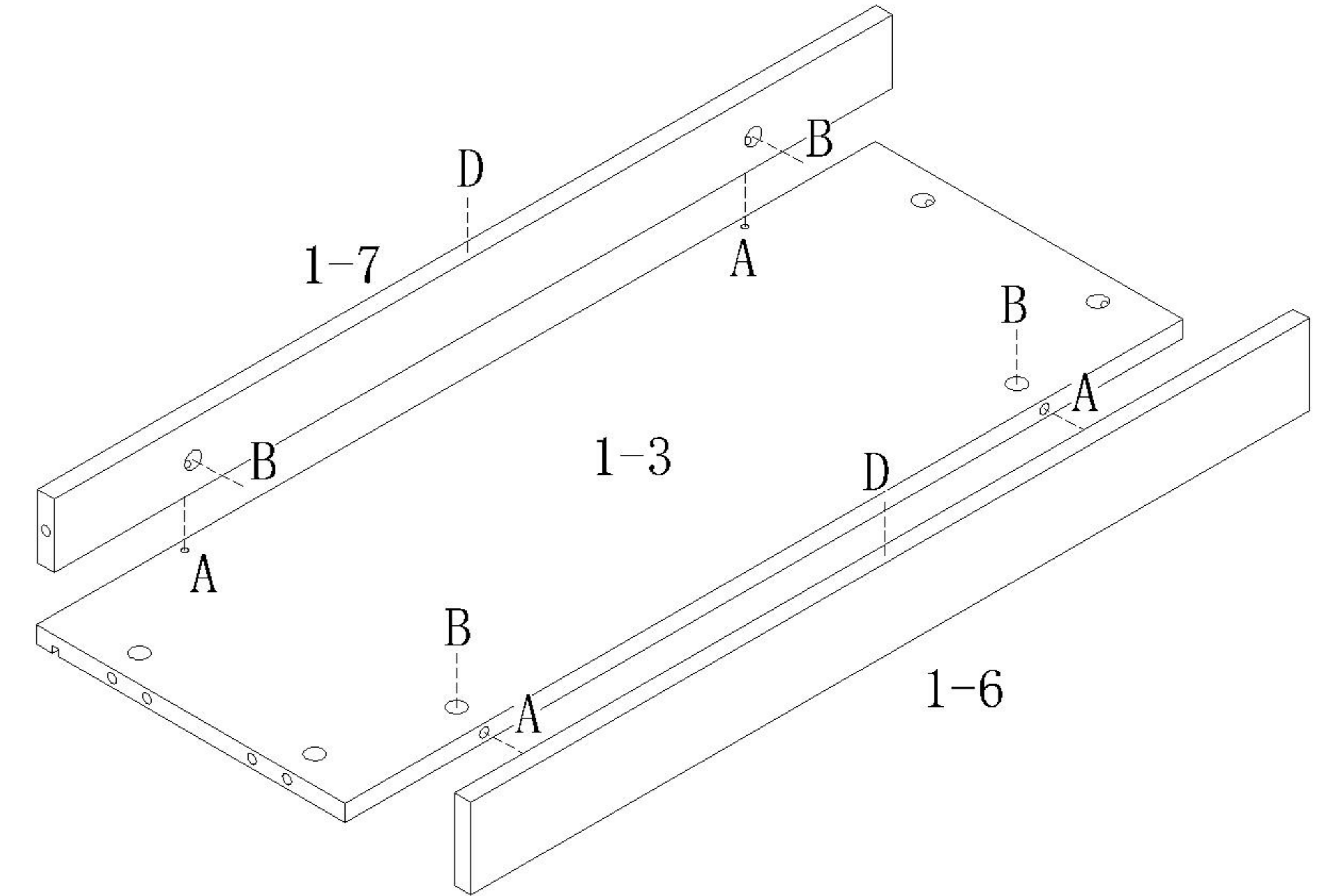


- (A)*2
- (B)*2



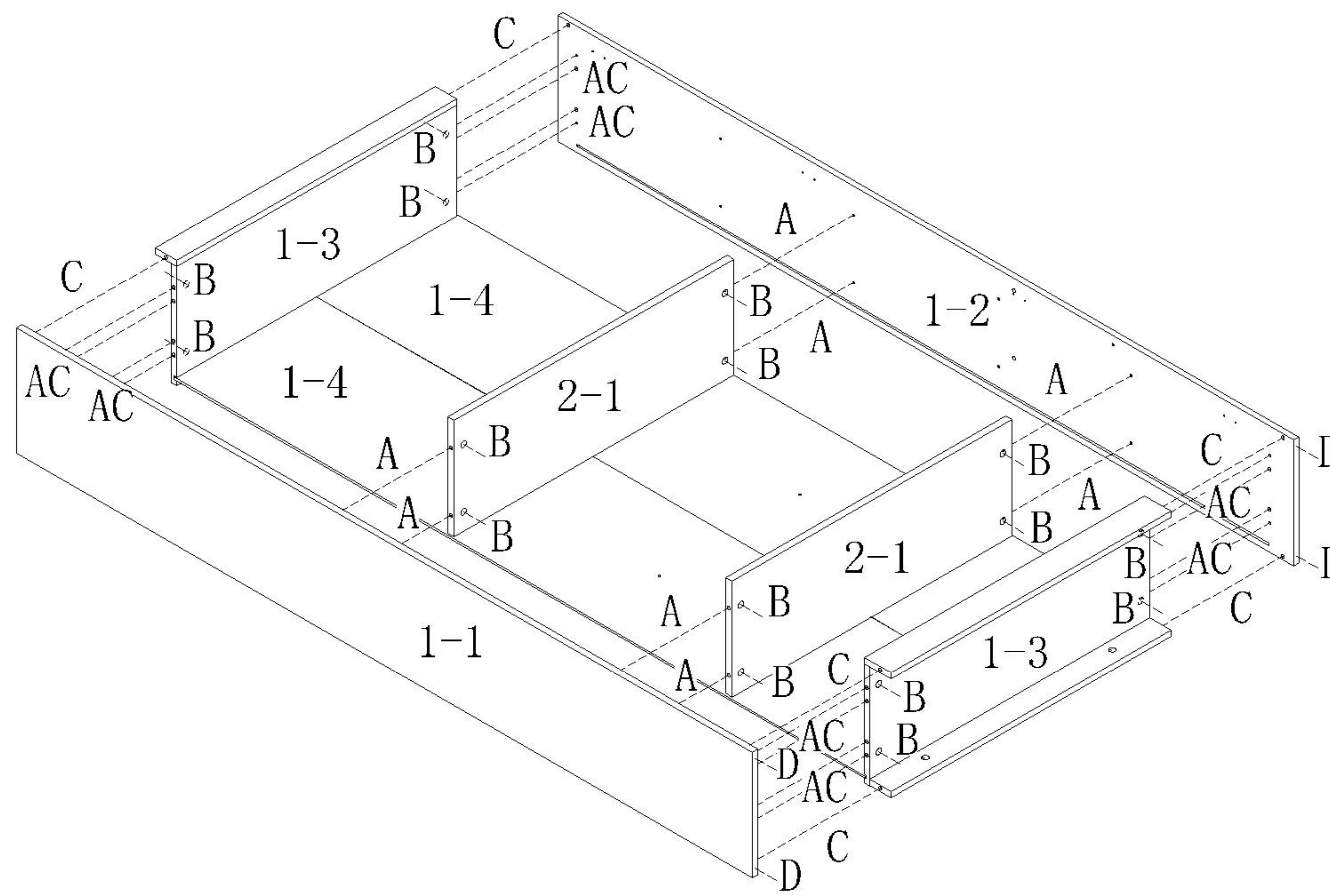
1

- (A)*4
- (B)*4
- (D)*2



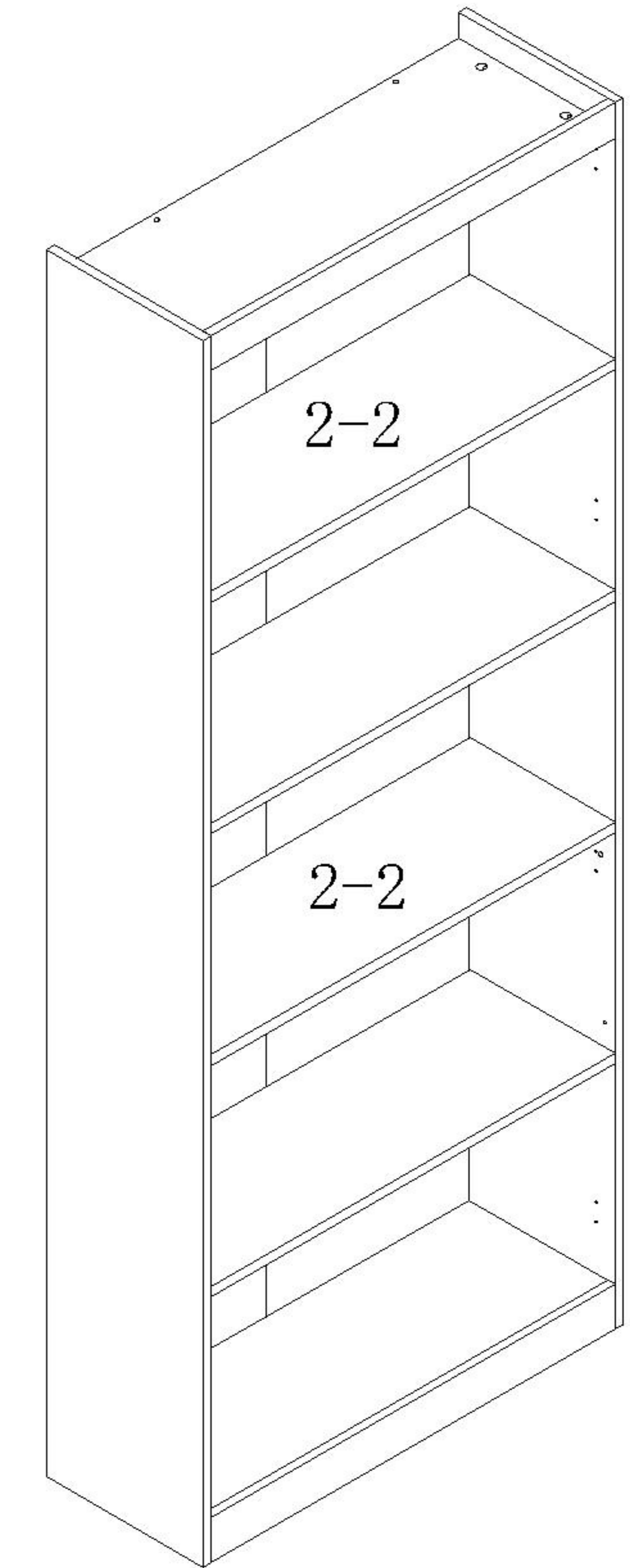
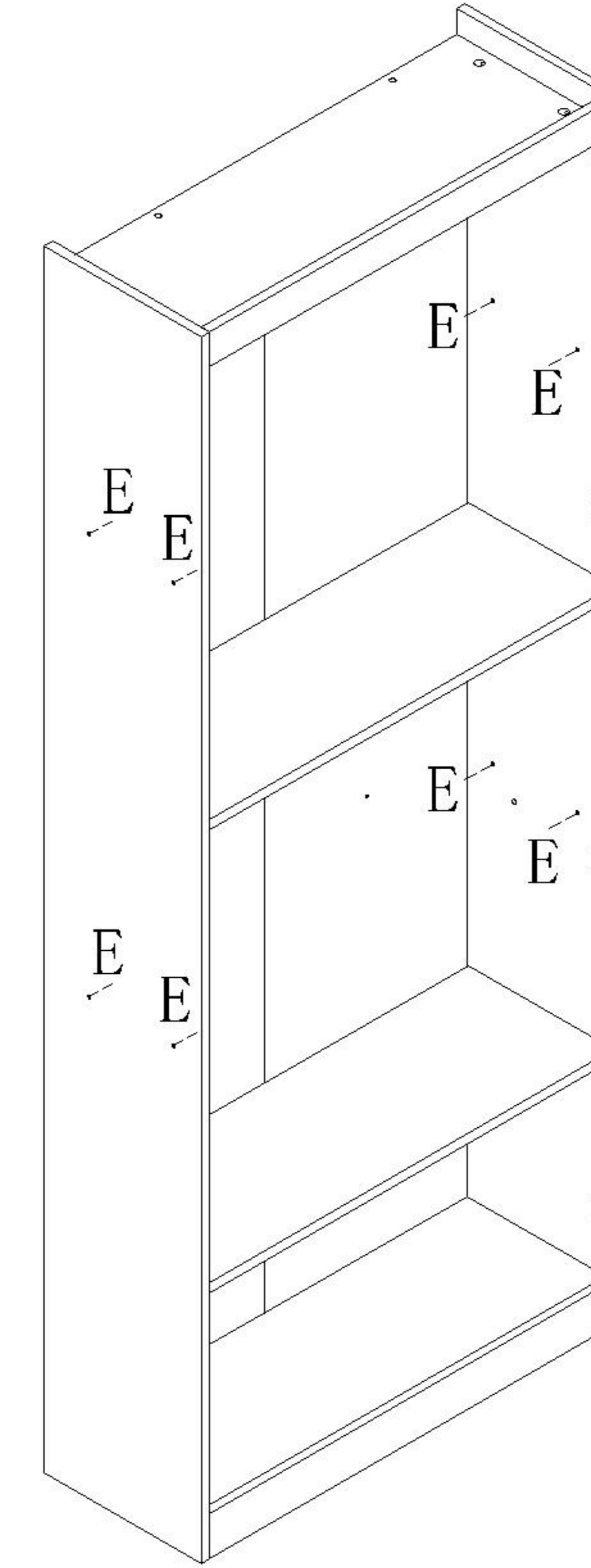
2

- (A)*16
- (B)*16
- (C)*14
- (D)*4



3

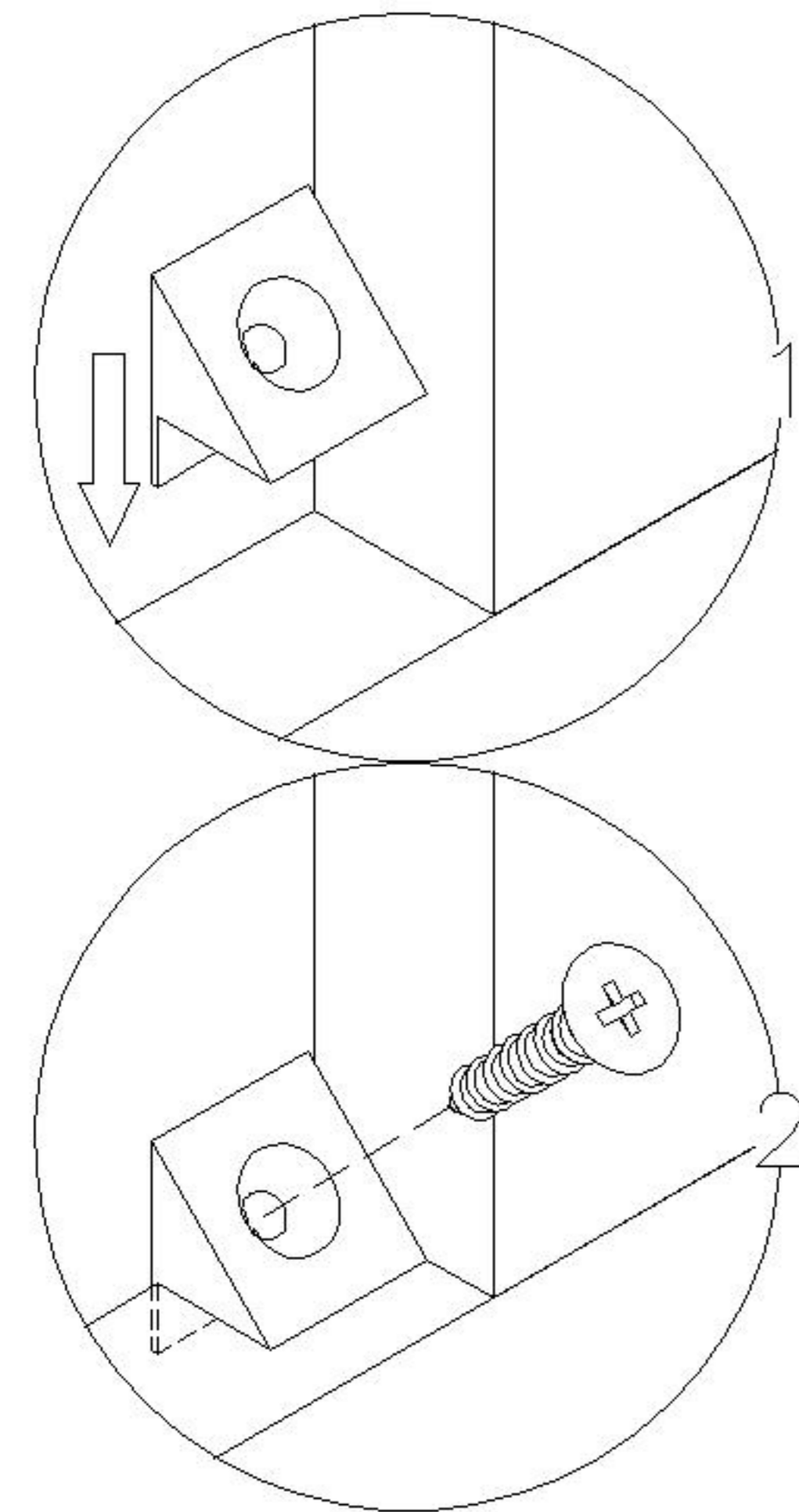
- (E)*8



4

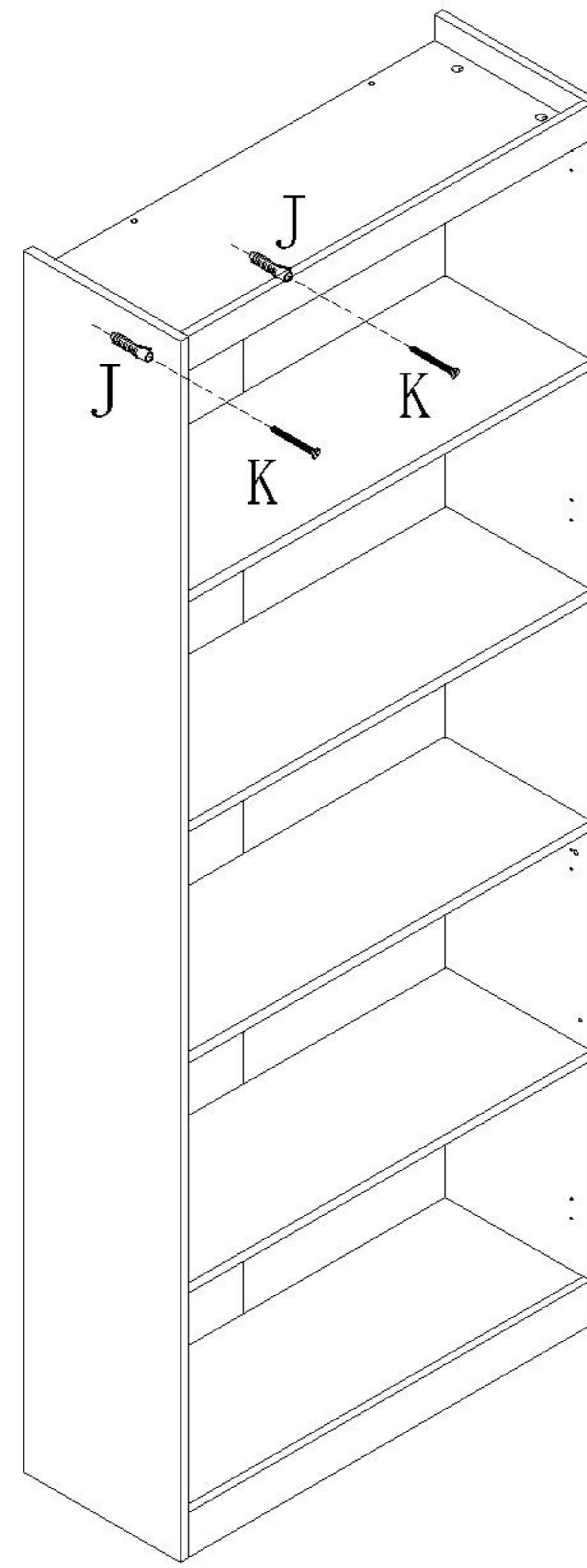
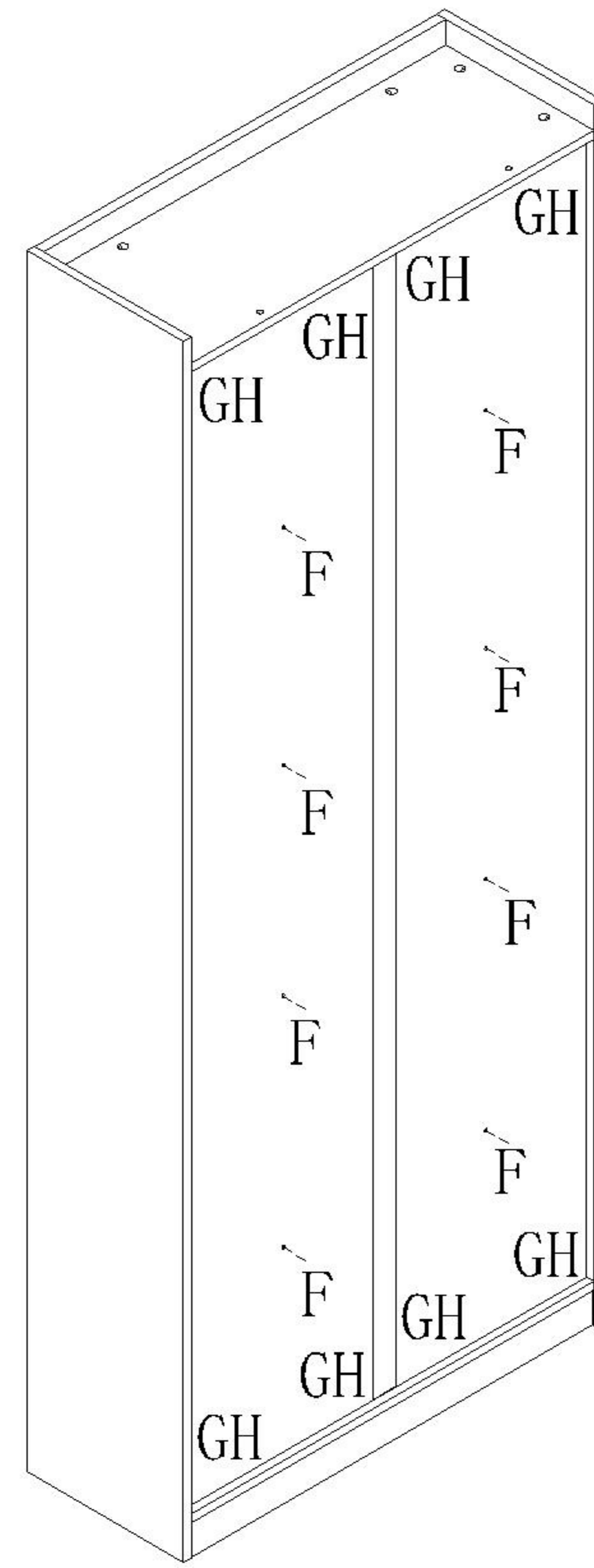
NG11X-A

安装方法/
Installation method



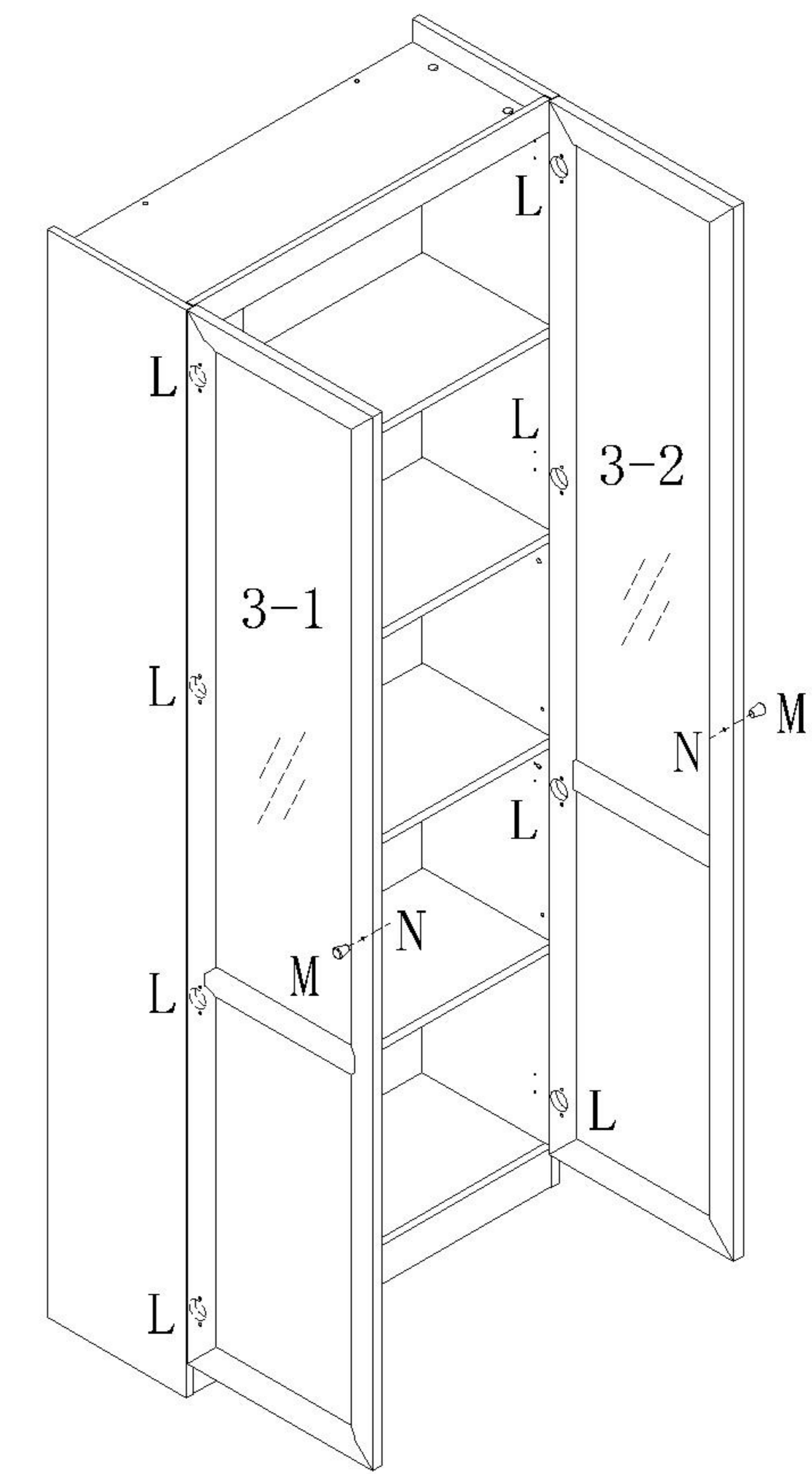
背板扣
Back Plate Buckle

- (F)*8
- (G)*8
- (H)*8
- (J)*2
- (K)*2



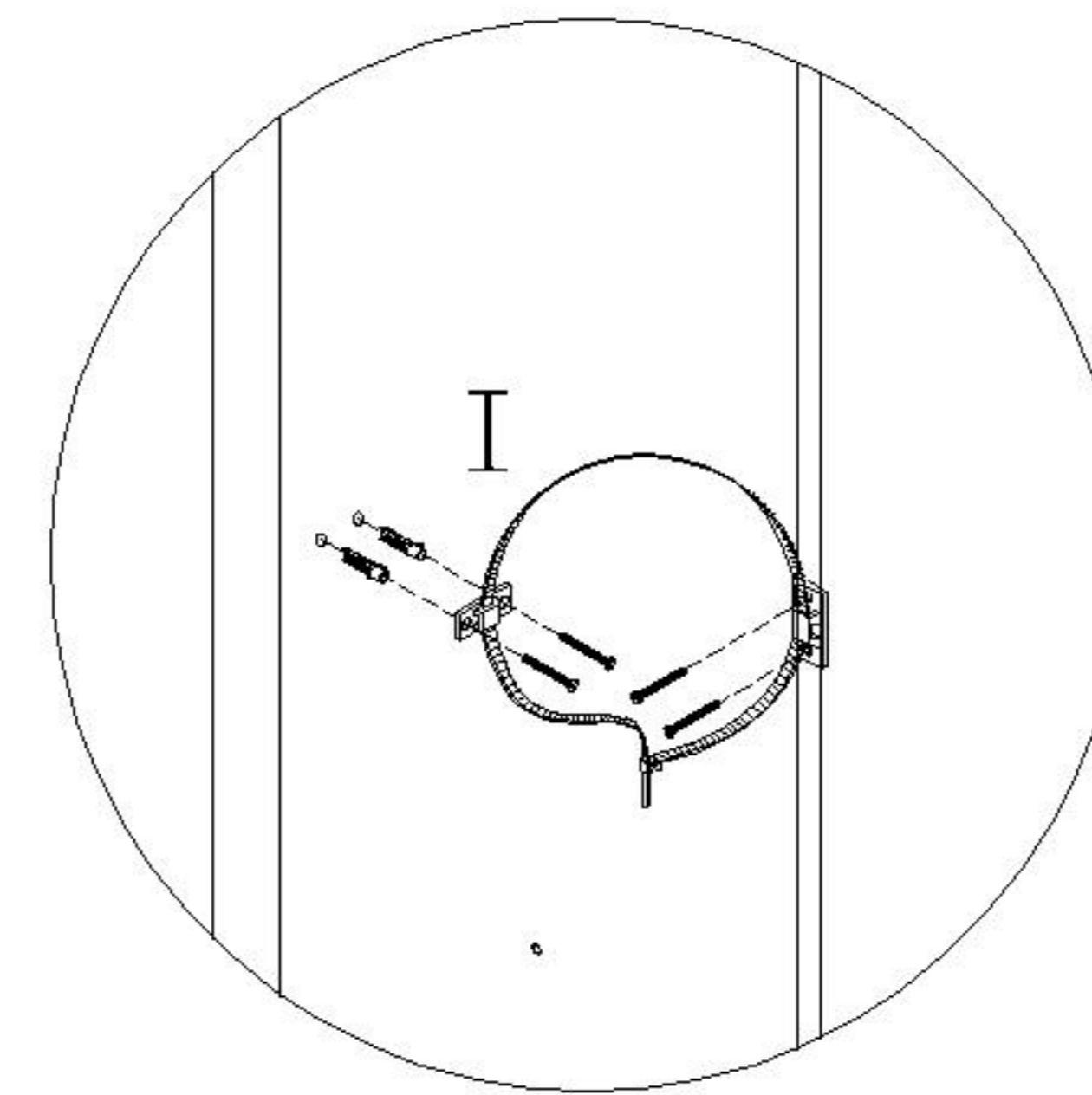
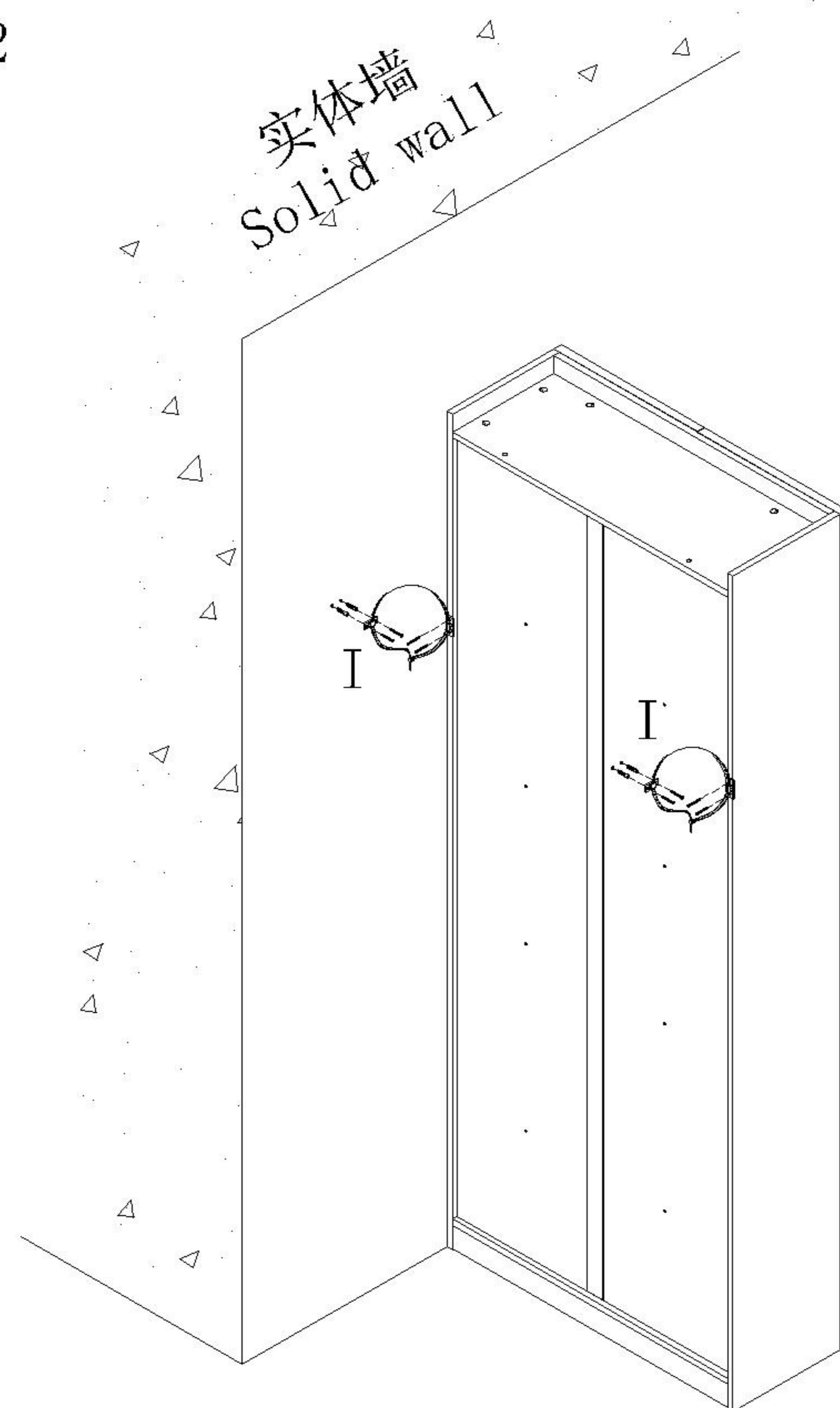
5

- (L)*8
- (M)*2
- (N)*2



6

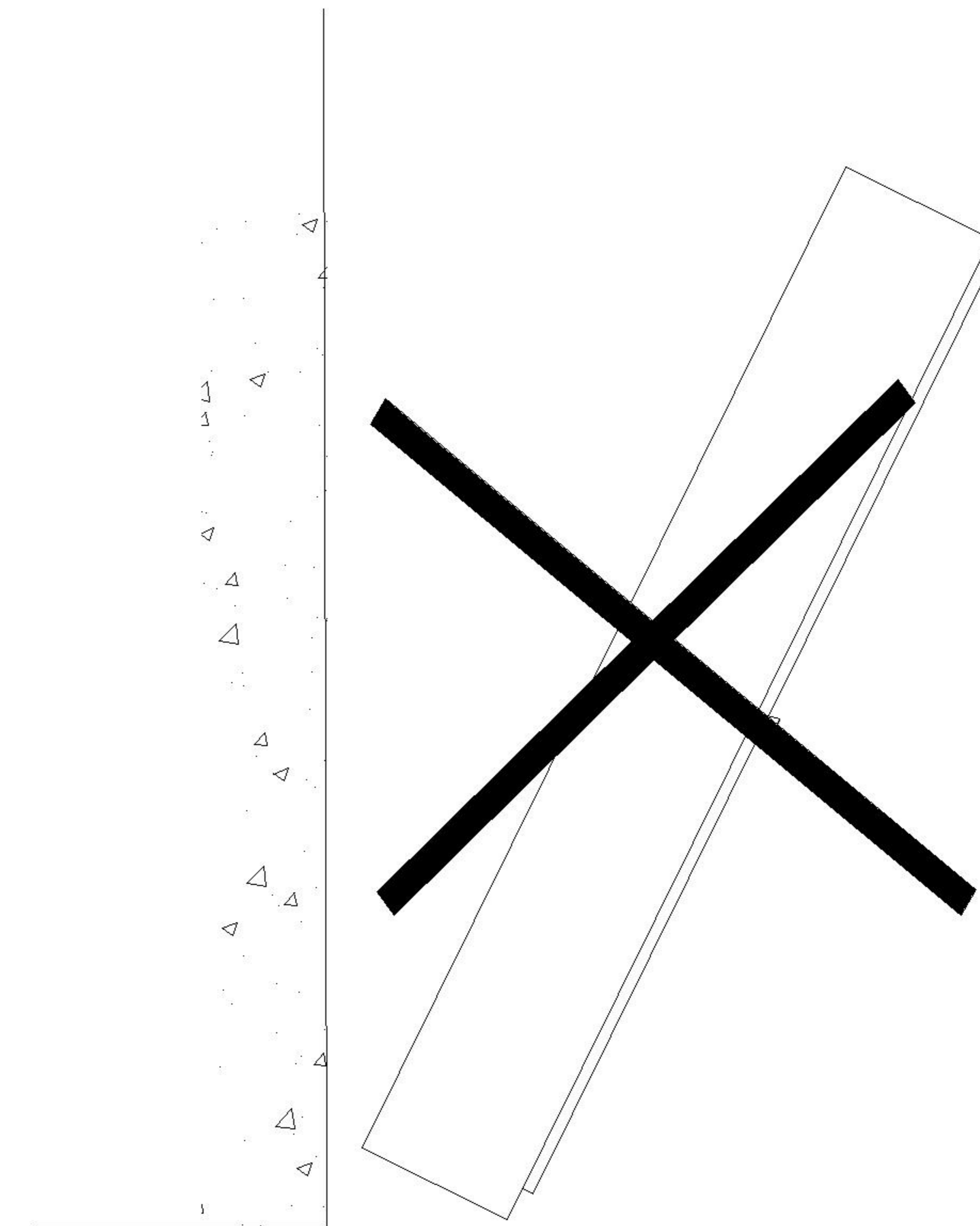
- (I)*2



注意：
防倒器一定要按图安装，为防止柜子倾倒！

be careful:
The anti fall device must be installed according to the diagram to prevent the cabinet from tipping over!

7



8