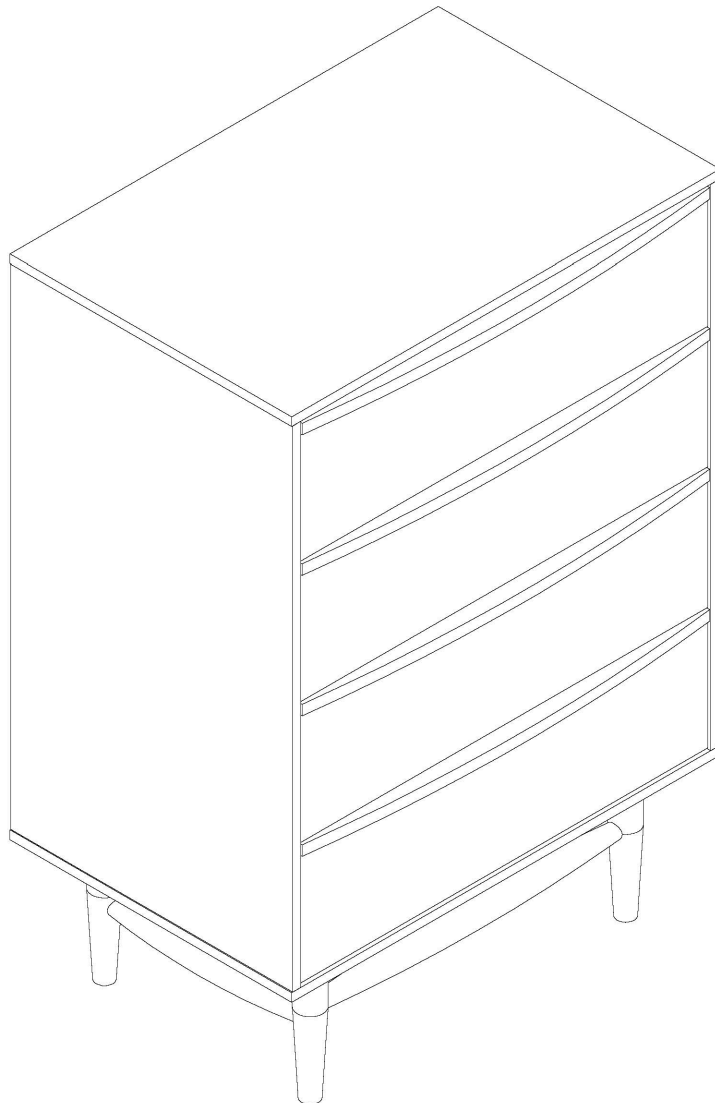


MODE

Assembly Instruction

Item Code: 21ELG023

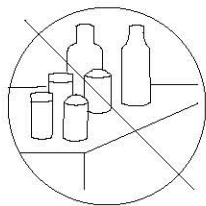
Description: MODE Alexa Chest of 4 Drawers



Important Tips and Maintenance



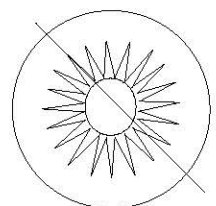
1. Keep children and animals away from working area as smaller parts may cause choking if swallowed.



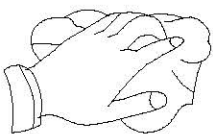
2. Never place liquids or anything damp upon furniture as it will mark. Ensure a coaster or running is beneath.



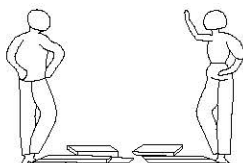
3. Never use ammonia based cleaning products as it will damage the finish.



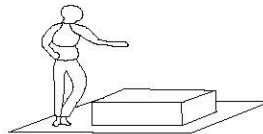
4. To avoid fading, keep furniture out of direct sunlight.



5. Use a soft or damp cloth (dry cloth) when wiping or cleaning surfaces.



6. Two person are required.



7. Lay a soft matt down to protect the furniture piece before and during assembly.

So your relationship is strong. But is it flat-pack furniture strong? Unless you're an aerospace engineer, assembling furniture can be slightly stressful. We recommend meditating quietly, pouring yourself a herbal tea (or slightly less herbal wine) and tackling things one step at a time. If you feel a passive aggressive remark coming on, try a compliment instead. E.g. "You're so good looking"

This 18-step assembly should take around 1.5 hours with an Allen Key - or 60 minutes with an electric drill. Godspeed.

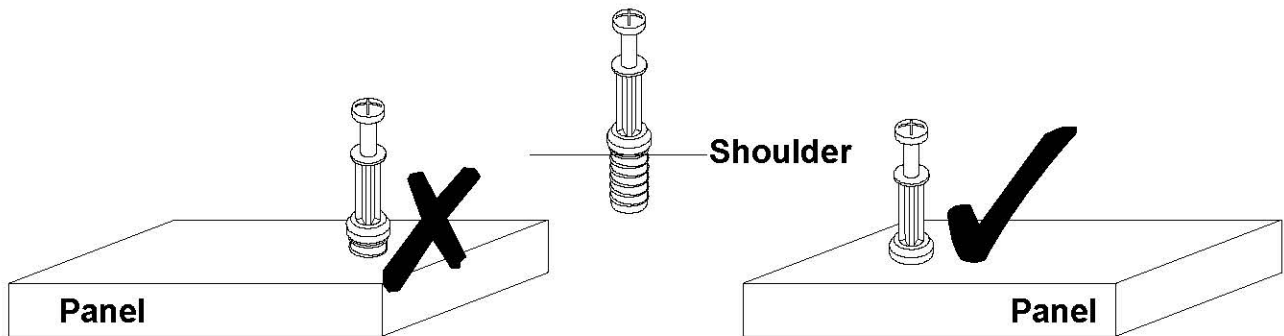
Designed for everyday

Before Assembly

Tips Before Your Start:

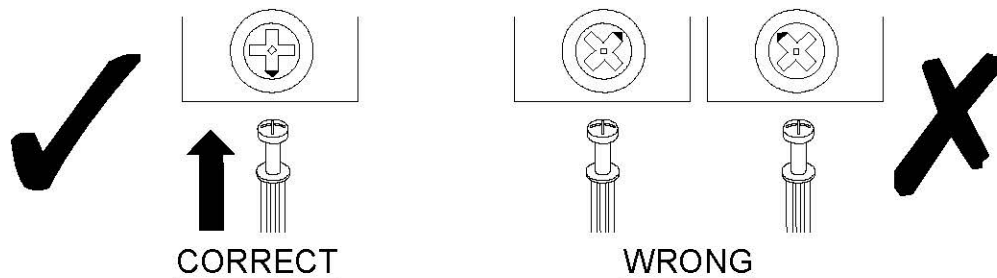
- Remove all wrapping material, including staples & packing straps before you start to assemble.
- DO NOT tighten all screws and bolts until completely assembled.
- Keep all hardware parts out of reach of children.

QUICKFIT



Tighten quickfit until shoulder is flush with panel. Do not overtighten or undertighten.

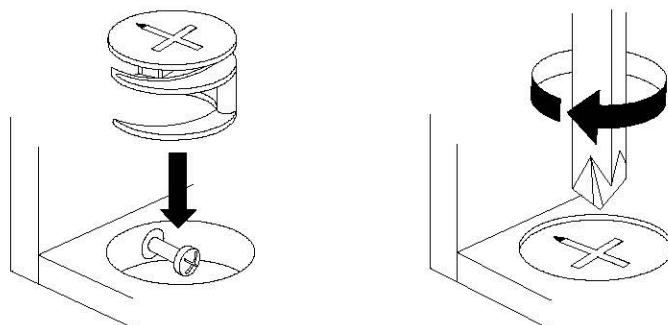
CAM LOCK



When fitting cam lock, ensure starting position is correct before you insert connecting quickfit.

Quickfit head should be in the centre of the cam lock when the two panels are joined.

Cam lock should be inserted before quickfit.

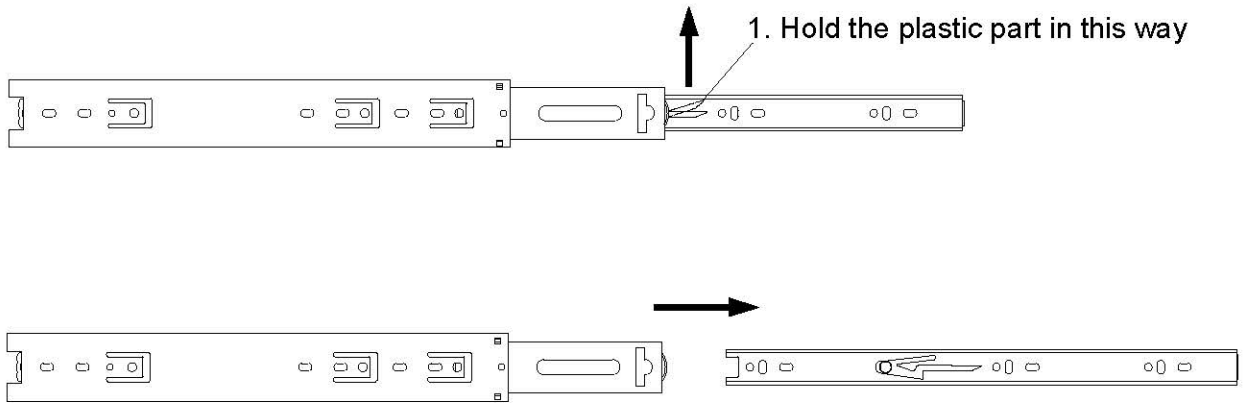


Turn cam lock clockwise to tighten.

Before Assembly

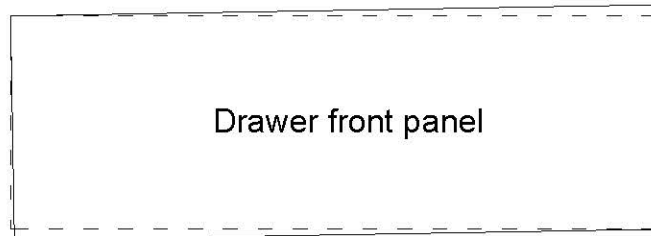
Tips Before Your Start

How to separate the drawer slider:

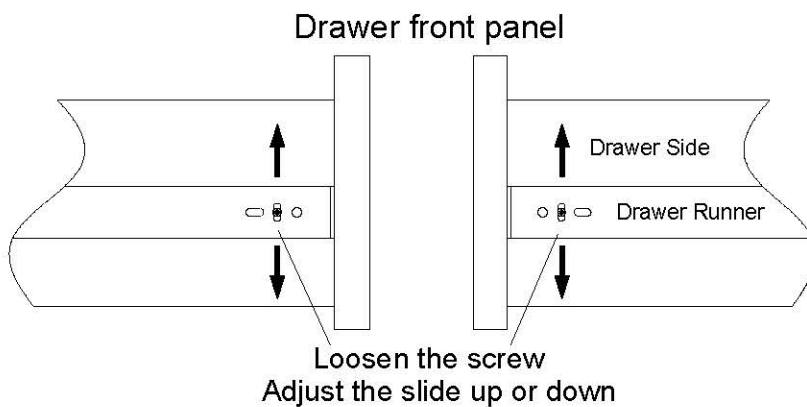


2. Pull out the inner slider for drawer box fixing

Drawer Front Alignment



If the drawer front panel is NOT level after being assembled, then...



Loosen the screws on the left and right hand side, then move the drawer slide up or down, untill the drawer fronts are even/level, then tighten the screws.

Component Hardware

Please check you have all the fittings part or tools are listed in below.

No. A
Quantity: 54Pcs
Cam Lock Dowel
8*28mm



No. B
Quantity: 24Pcs
Dowel
8*30mm



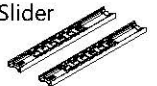
No. C
Quantity: 54Pcs
Cam
φ15



No. D
Quantity: 4Pcs
Screw
M6*50mm



No. E
Quantity: 4Sets
Drawer Slider
12"



No. F
Quantity: 64Pcs
Screw
4*14mm



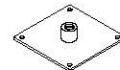
No. G
Quantity: 2Pcs
Full Thread Screw
M6*40mm



No. H
Quantity: 4Pcs
Screw
M8*35mm



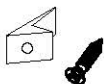
No. I
Quantity: 4Pcs
Foot Plate
70*70mm



No. J
Quantity: 1Pc
Allen Key
5#



No. K
Quantity: 4Pcs
Plastic Wedge



No. L
Quantity: 4Pcs
Foot Pad
φ20



No. M
Quantity: 1 Set
Anti-falling Parts



No. N
Quantity: 50Pcs
Sticker
φ20



No. O
Quantity: 1Pc
Allen Key
4#



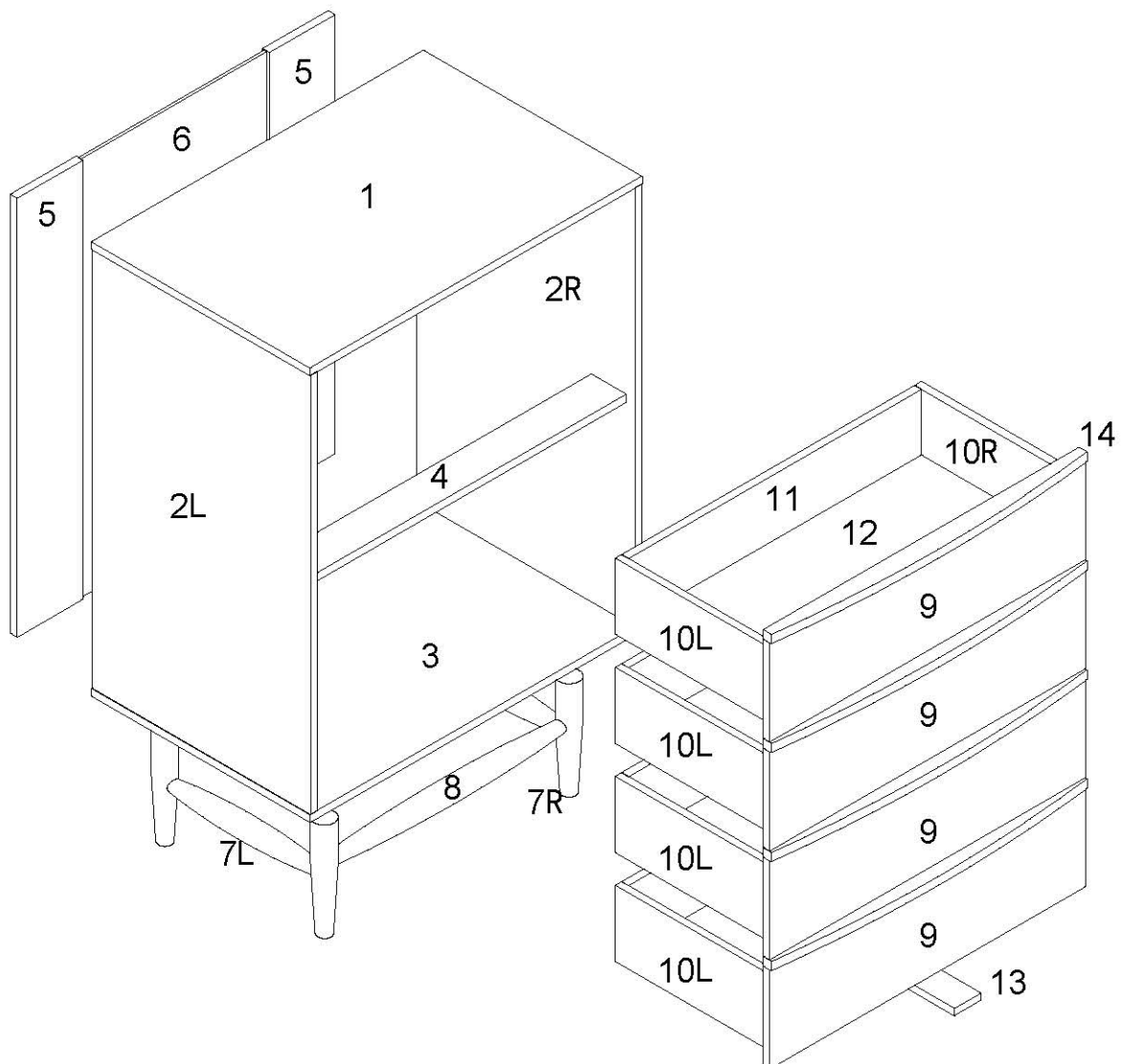
No. P
Quantity: 24 Pcs
Screw
4*30mm



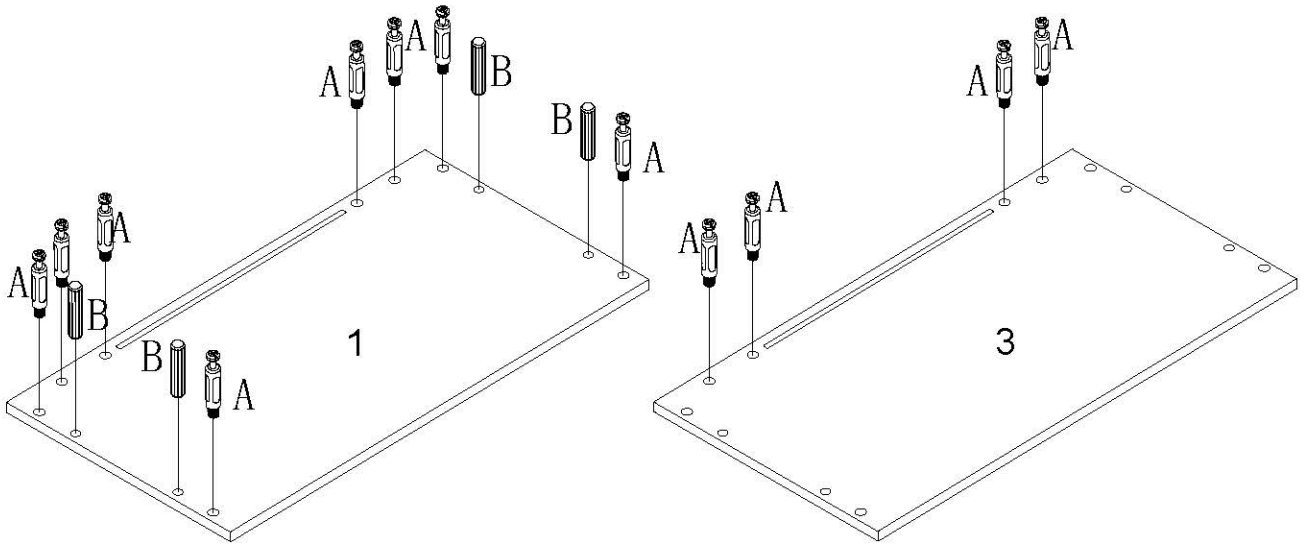
Component Panels & part List

Please check you have all the panels are listed below.

- | | | | |
|-----------------------|----|------------------------|----|
| 1. TOP PANEL | x1 | 8. CROSSBAR | x1 |
| 2L. SIDE PANEL_LEFT | x1 | 9. DRAWER FRONT | x4 |
| 2R. SIDE PANEL_RIGHT | x1 | 10L. DRAWER SIDE_LEFT | x4 |
| 3. BOTTOM PANEL | x1 | 10R. DRAWER SIDE_RIGHT | x4 |
| 4. CENTRE BRACE PANEL | x1 | 11. DRAWER BACK | x4 |
| 5. BACK BRACE PANEL | x2 | 12. DRAWER BOTTOM | x4 |
| 6. BACK PANEL | x1 | 13. DRAWER BRACE PANEL | x4 |
| 7L. LEFT LEG | x1 | 14. HANDLE | x4 |
| 7R. RIGHT LEG | x1 | | |



STEP 1



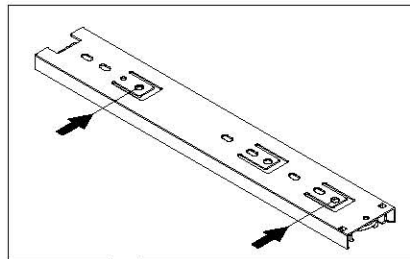
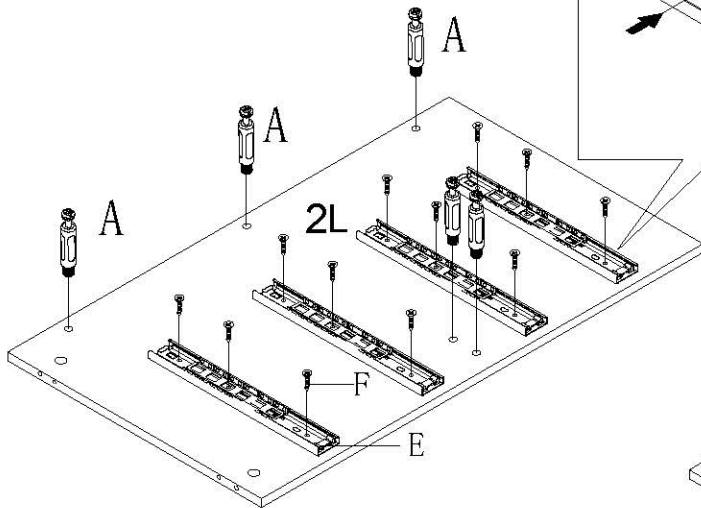
No. A
Quantity: 12 Pcs
Cam Lock Dowel
8*28 mm



No. B
Quantity: 4 Pcs
Dowel
8*30mm

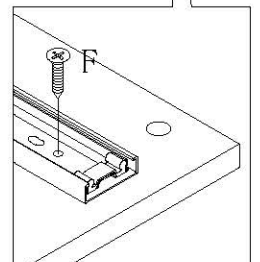
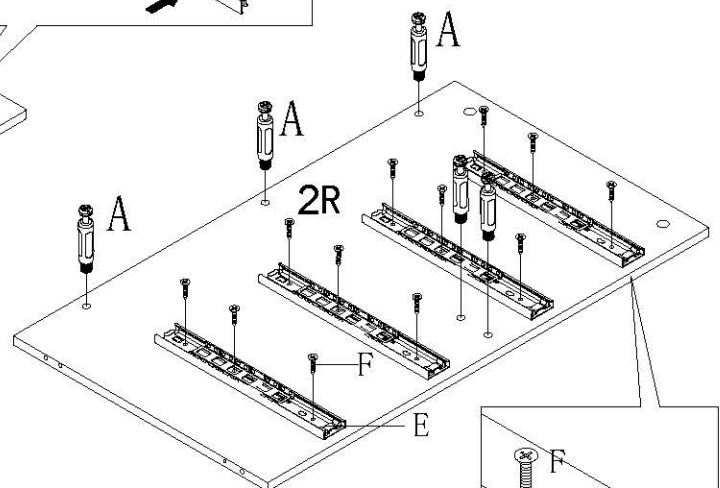


STEP 2



Note:

This is the drawer rail back side for holes position reference only.



No. A
Quantity: 10 Pcs
Cam Lock Dowel
8*28 mm



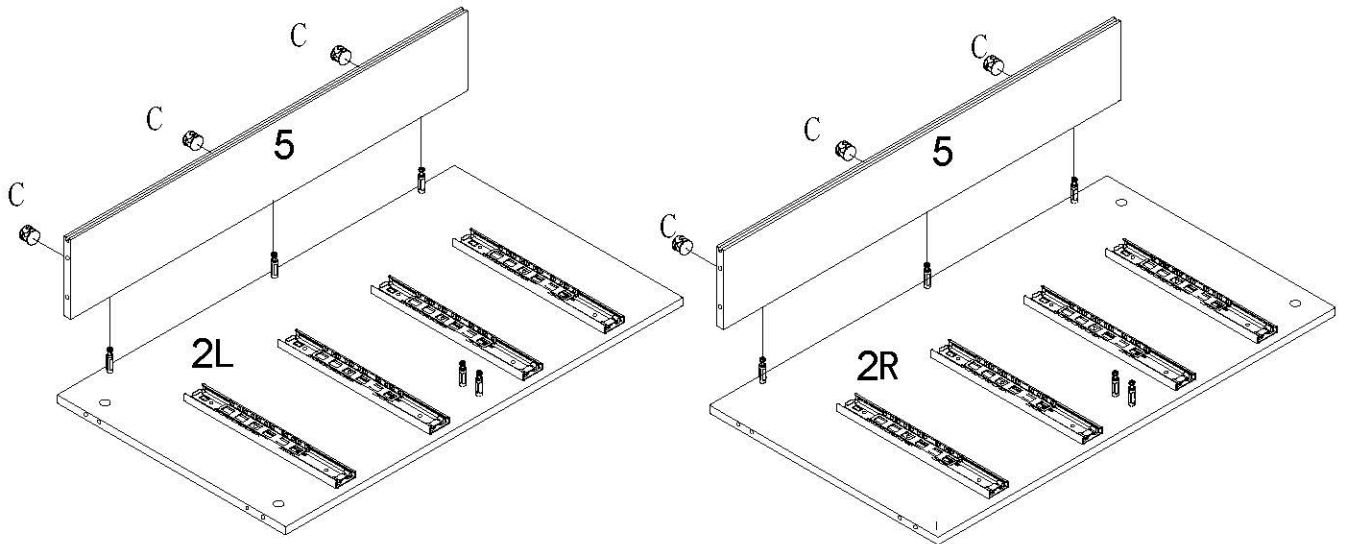
No. F
Quantity: 24 Pcs
Screw
4*14mm



No. E
Quantity: 4 Sets
Drawer Slider
12"



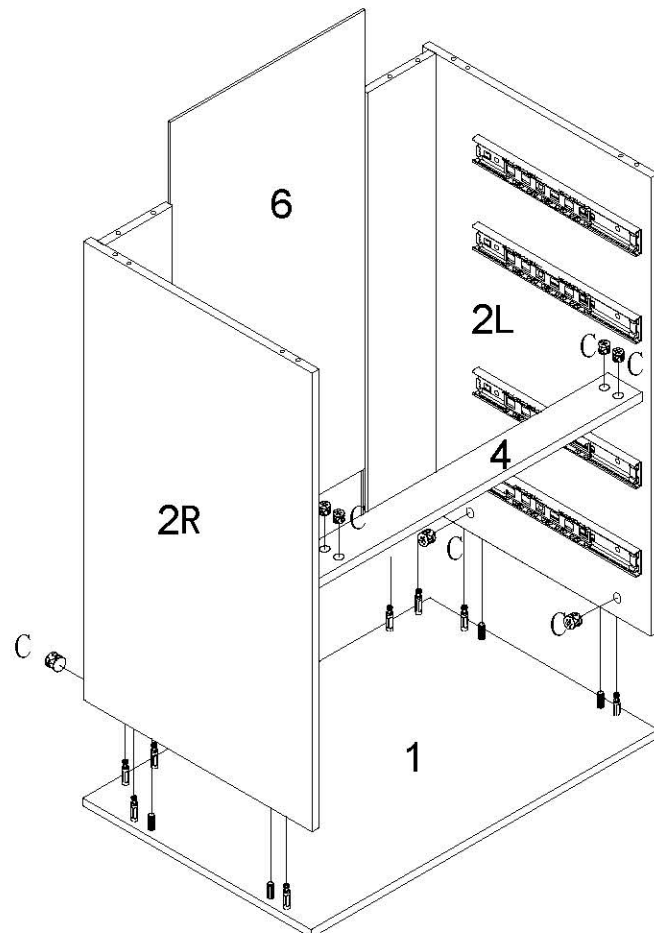
STEP 3



No. C
Quantity: 6 Pcs
Cam Lock
φ15mm



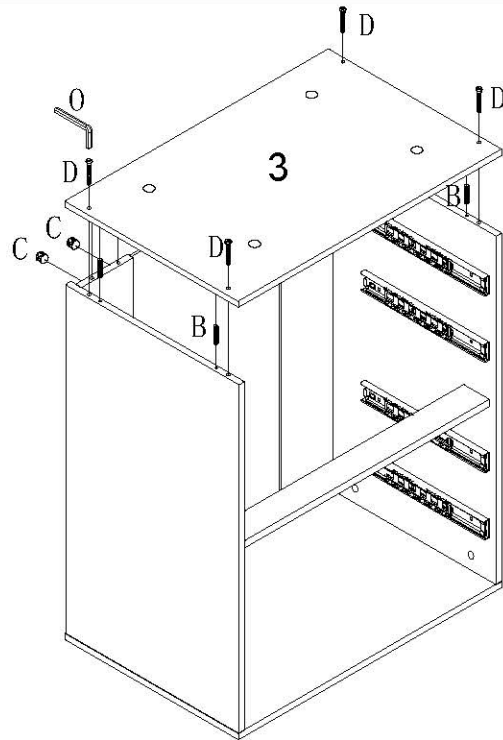
STEP 4



No. C
Quantity: 12 Pcs
Cam Lock
φ15mm



STEP 5



No. D
Quantity: 4 Pcs
Screw
M6*50mm



No. B
Quantity: 4 Pcs
Dowel
8*30mm



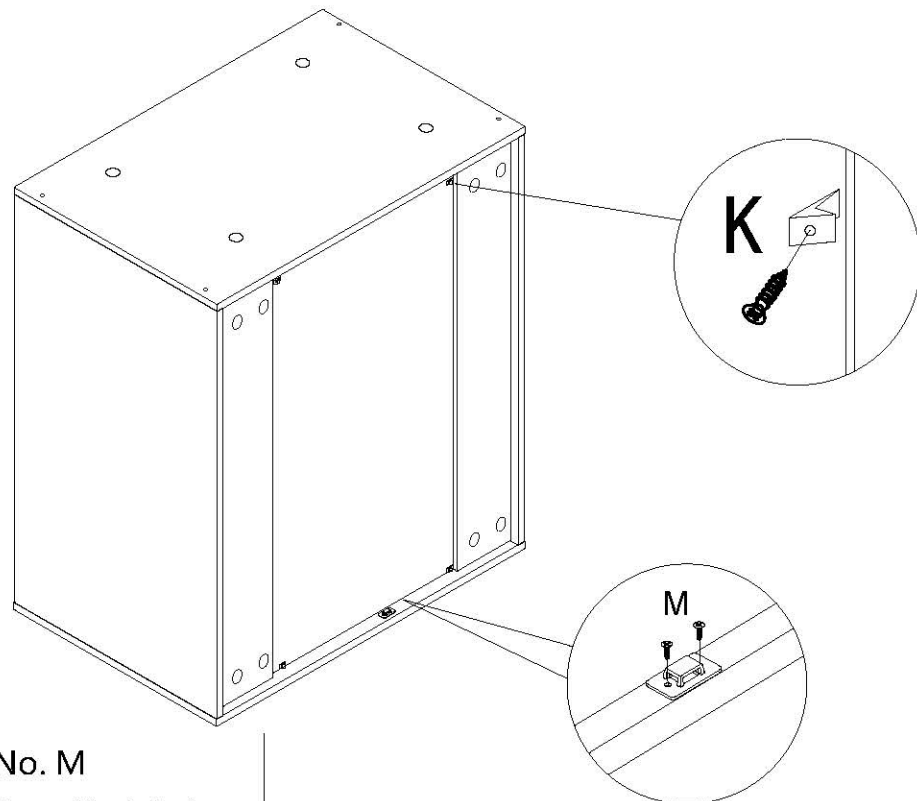
No. O
Quantity: 1Pc
Allen Key
4#



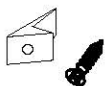
No. C
Quantity: 4 Pcs
Cam Lock
φ15mm



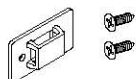
STEP 6



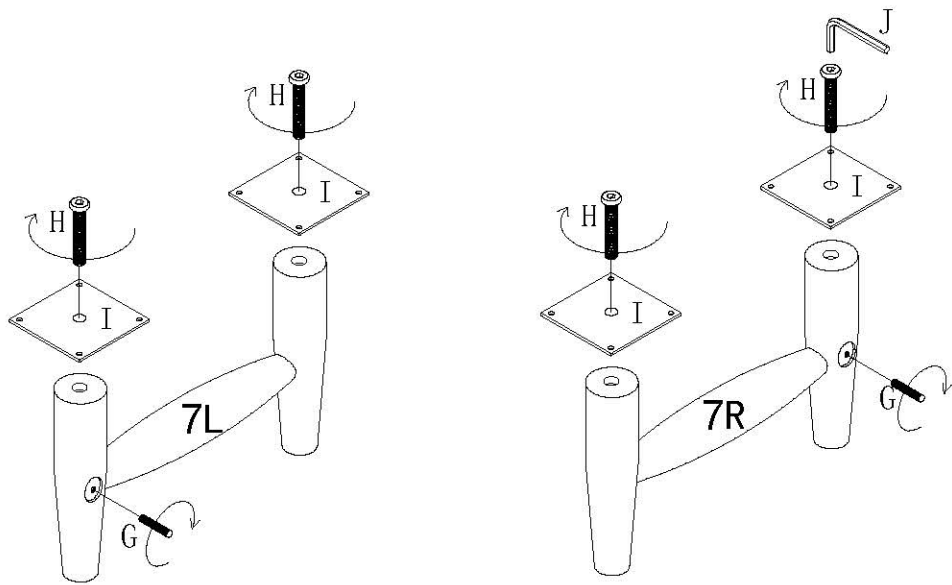
No. K
Quantity: 4 Pcs
Plastic Wedge



No. M
Quantity: 1 Set
Smaller Screw



STEP 7



No. G
Quantity: 2 Pcs
Full Thread Screw
M6*40mm



No. H
Quantity: 4 Pcs
Screw
M8*35mm



No. I
Quantity: 4 Pcs
Foot Plate

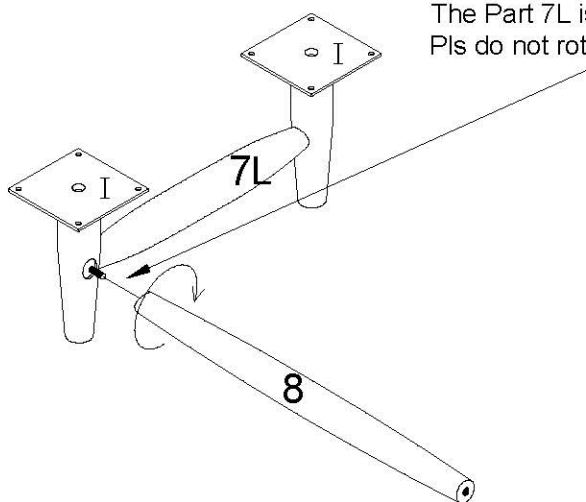


No. J
Quantity: 1 Pc
Allen Key
5#

STEP 8

Note:

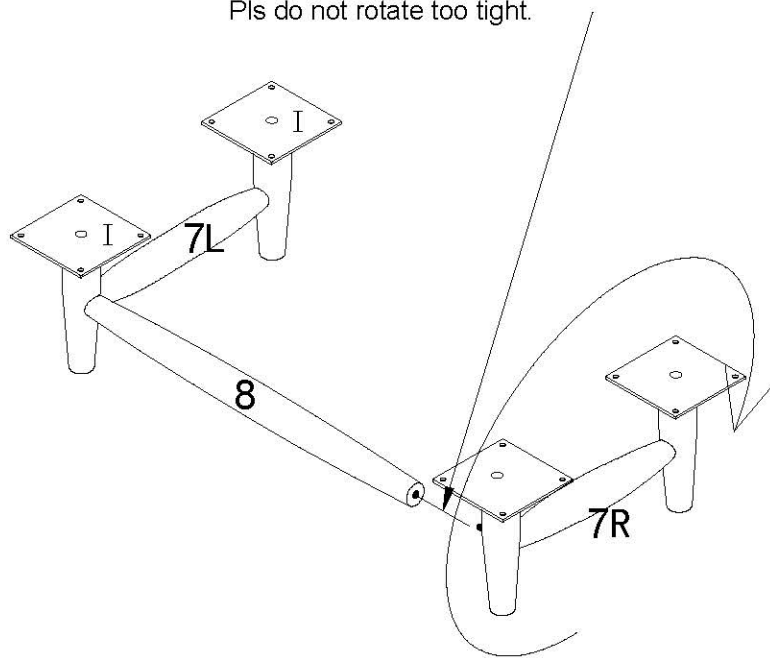
The Part 7L is just fixing with the Part 8 and not shaking then it's Okay.
Pls do not rotate too tight.



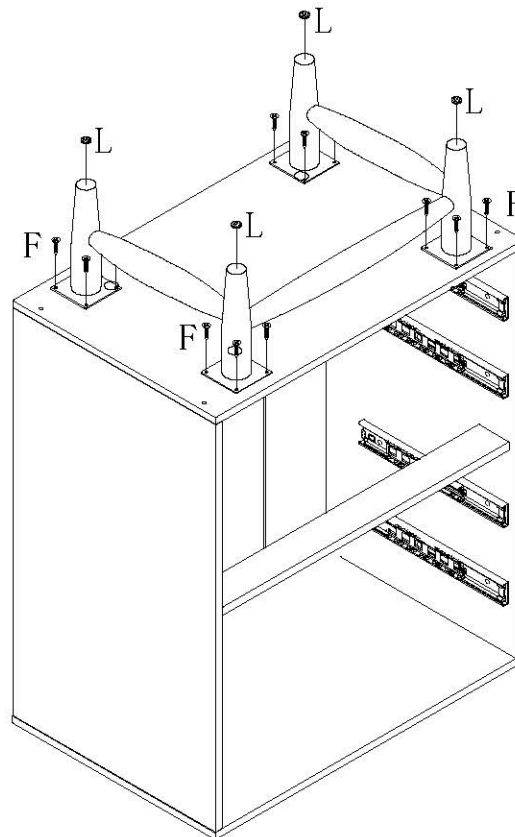
STEP 9

Note:

The Part 7L is just fixing with the Part 8 and not shaking then it's Okay.
Pls do not rotate too tight.



STEP 10



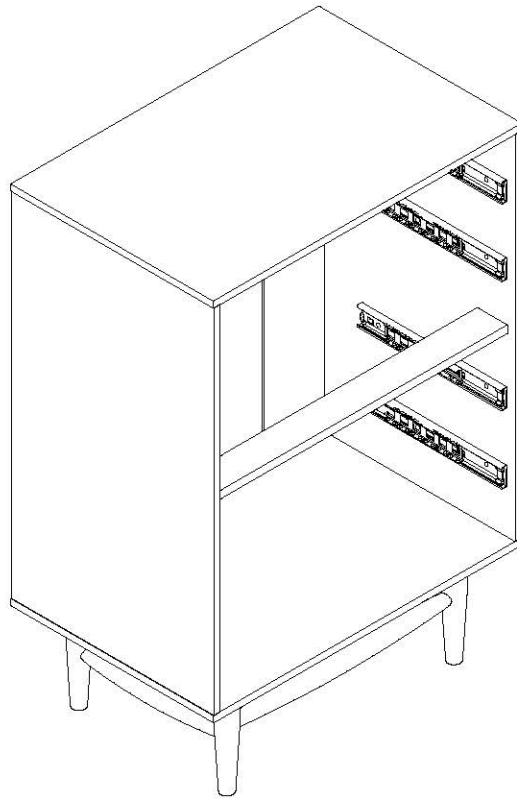
No. F
Quantity: 16 Pcs
Screw
4*14mm



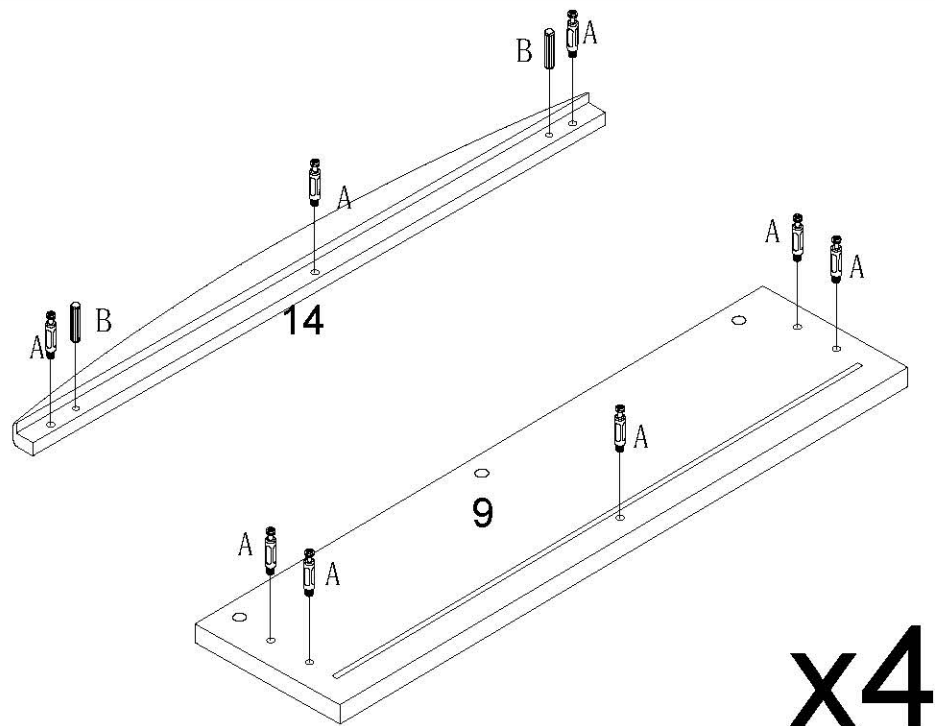
No. L
Quantity: 4 Pcs
Foot Pad
φ20



STEP 11



STEP 12



No. A

Quantity: 32 Pcs

Cam Lock Dowel
8*28 mm



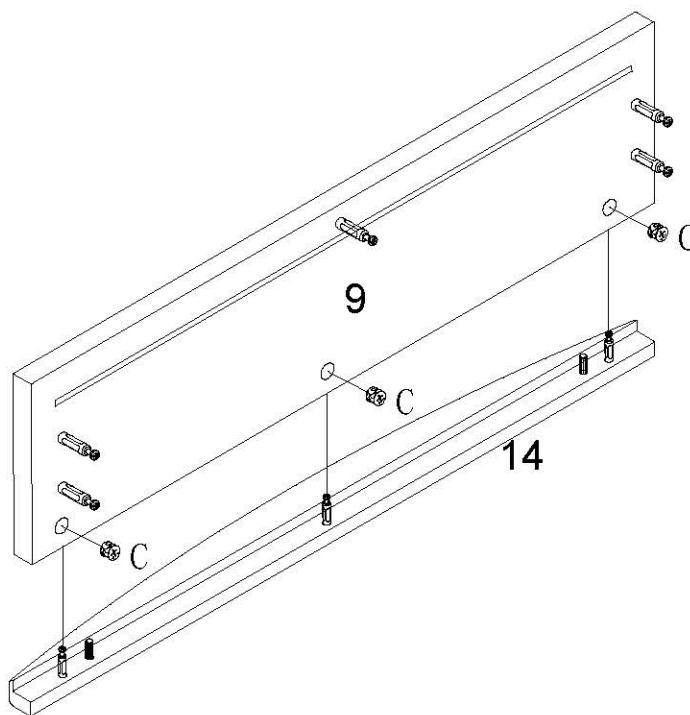
No. B

Quantity: 8Pcs

Dowel
8*30mm



STEP 13

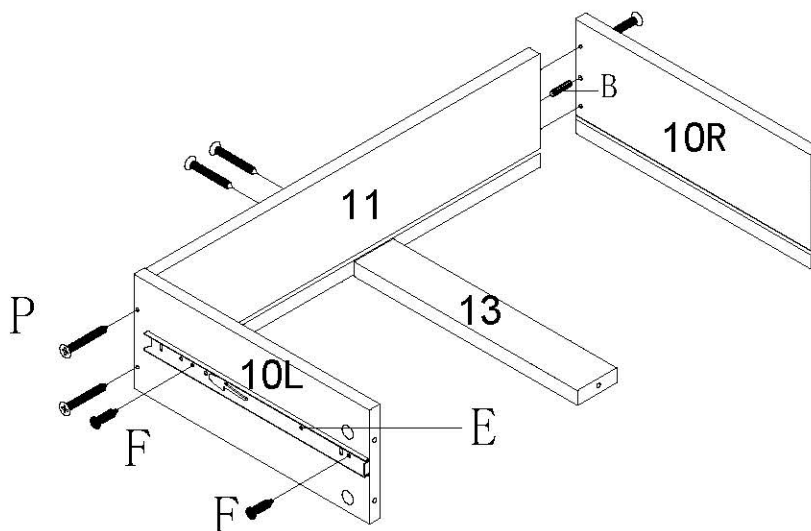


x4

No. C
Quantity: 12 Pcs
Cam Lock
φ15mm



STEP 14

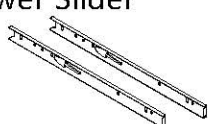


x4

No. F
Quantity: 24 Pcs
Screw
4*14mm



No. E
Quantity: 4 Sets
Drawer Slider
12"



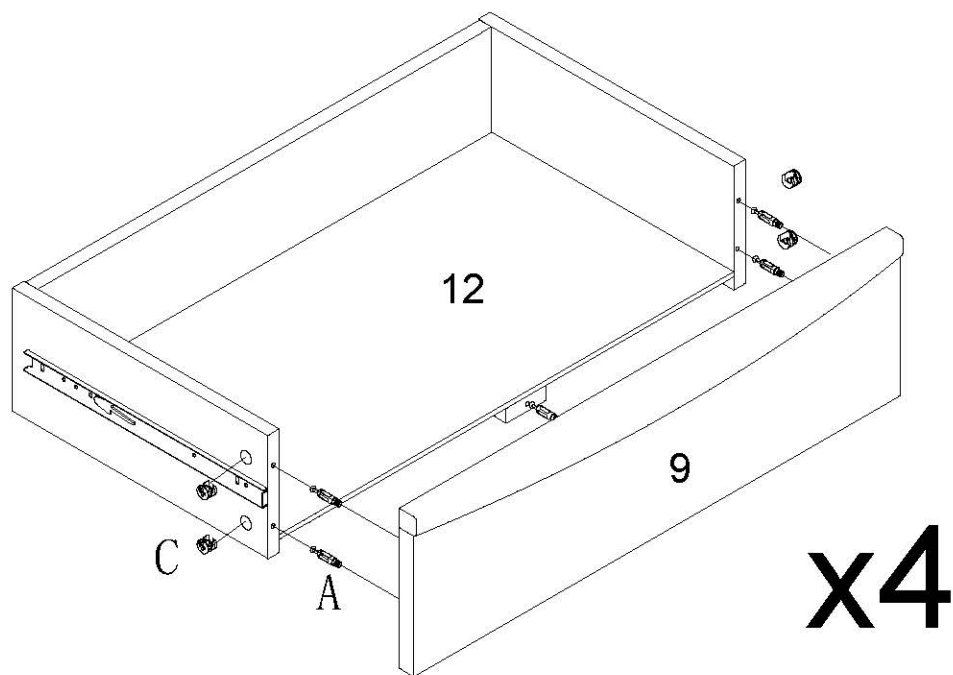
No. P
Quantity: 24 Pcs
Screw
4*30mm



No. B
Quantity: 8Pcs
Dowel
8*30mm



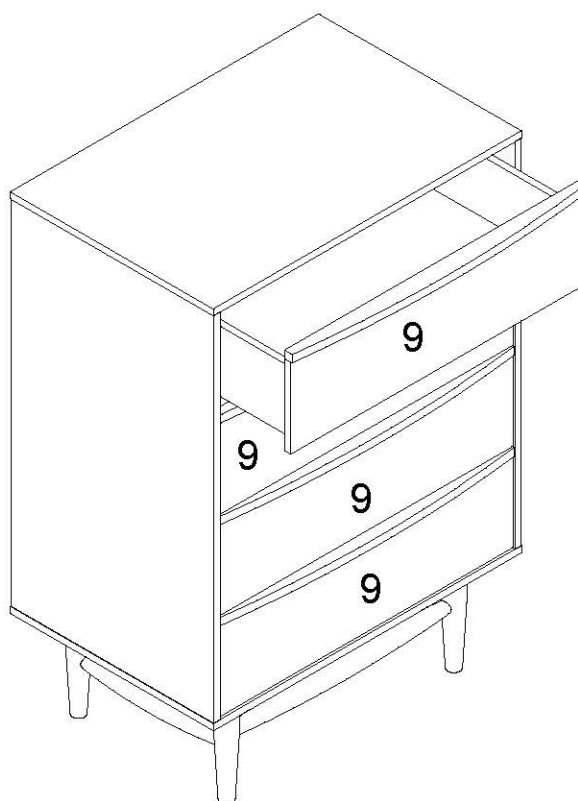
STEP 15



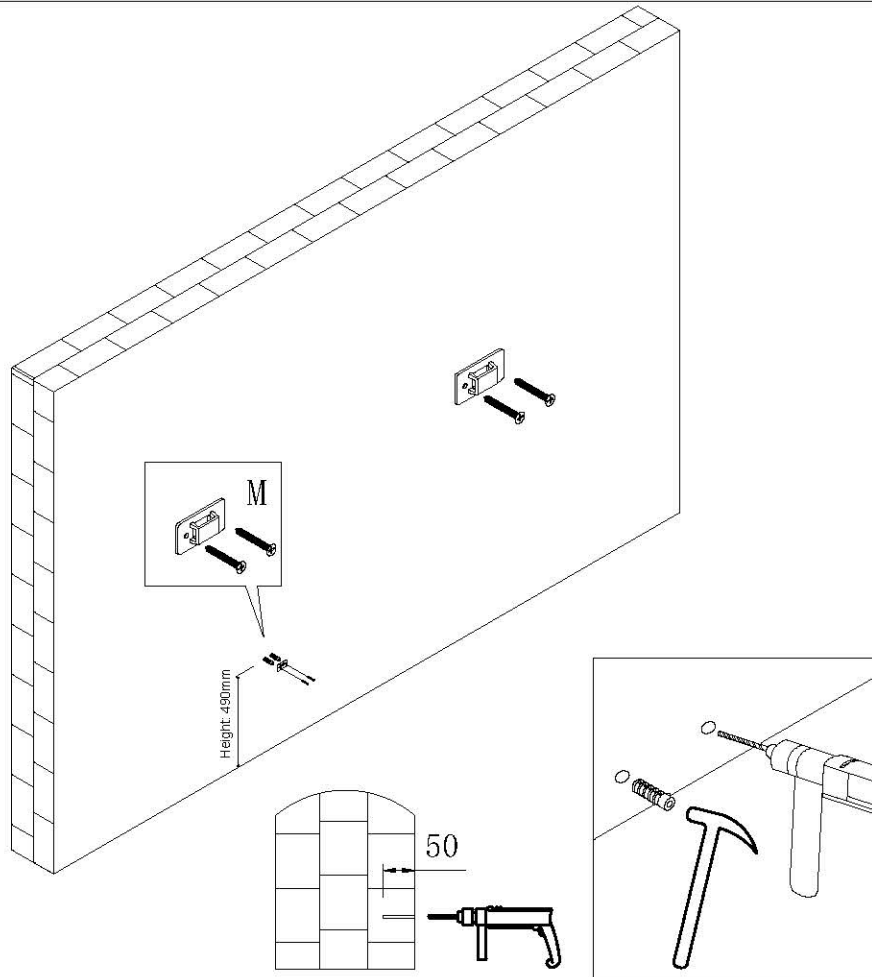
No. C
Quantity: 20Pcs
Cam Lock



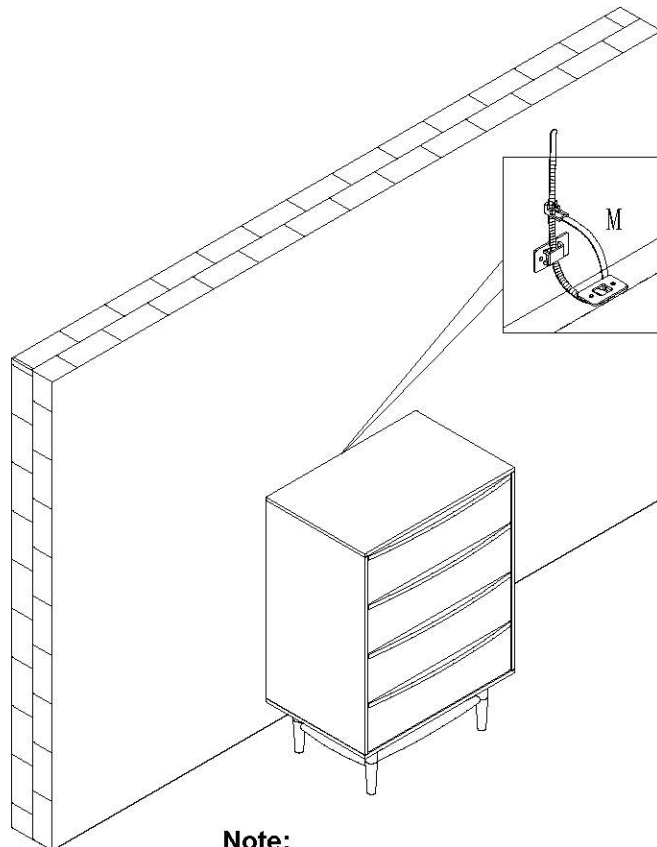
STEP 16



STEP 17



STEP 18



No. M
Quantity: 1 Set
Anti-falling Parts



Note:

Please lift up the furniture by two people when moving is needed. Dragging may cause the legs failure.